

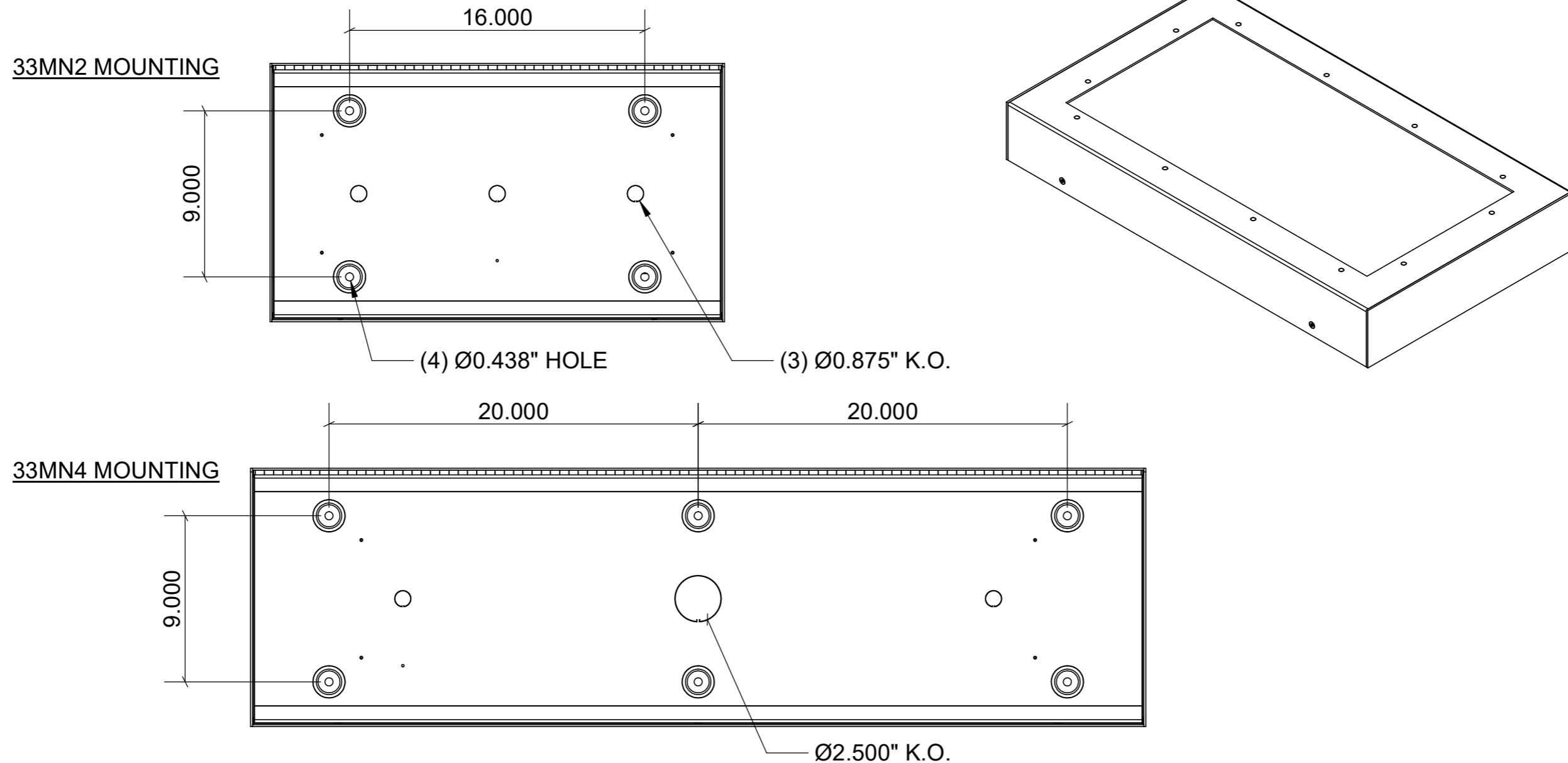
New Star 33MWX Series - Installation Instructions

2225 W Pershing Rd. Chicago, IL 60609 - 773.847.1400 - www.newstarlighting.com

IMPORTANT SAFE GUARDS:

- THIS PRODUCT MUST BE INSTALLED IN ACCORDANCE WITH THE APPLICABLE INSTALLATION CODE BY A PERSON FAMILIAR WITH THE CONSTRUCTION AND OPERATION OF THE PRODUCT AND THE HAZARDS INVOLVED.
- DISCONNECT POWER BEFORE BEGINNING INSTALLATION.
- FIXTURE MUST BE INSTALLED IN COMPLIANCE WITH THE NATIONAL ELECTRIC CODE AND ANY LOCAL CODES.
- TO BE INSTALLED ONLY BY A QUALIFIED ELECTRICIAN.
- PROPER GROUNDING IS REQUIRED TO INSURE PERSONAL SAFETY.
- READ ALL FIXTURE MARKINGS AND LABELS TO ENSURE CORRECT INSTALLATION OF FIXTURE.
- RISK OF FIRE, USE A MINIMUM OF 90C SUPPLY CONNECTORS.
- MAXIMUM MOUNTING HEIGHT OF 8FT. WHEN AN EMERGENCY PACK IS PROVIDED

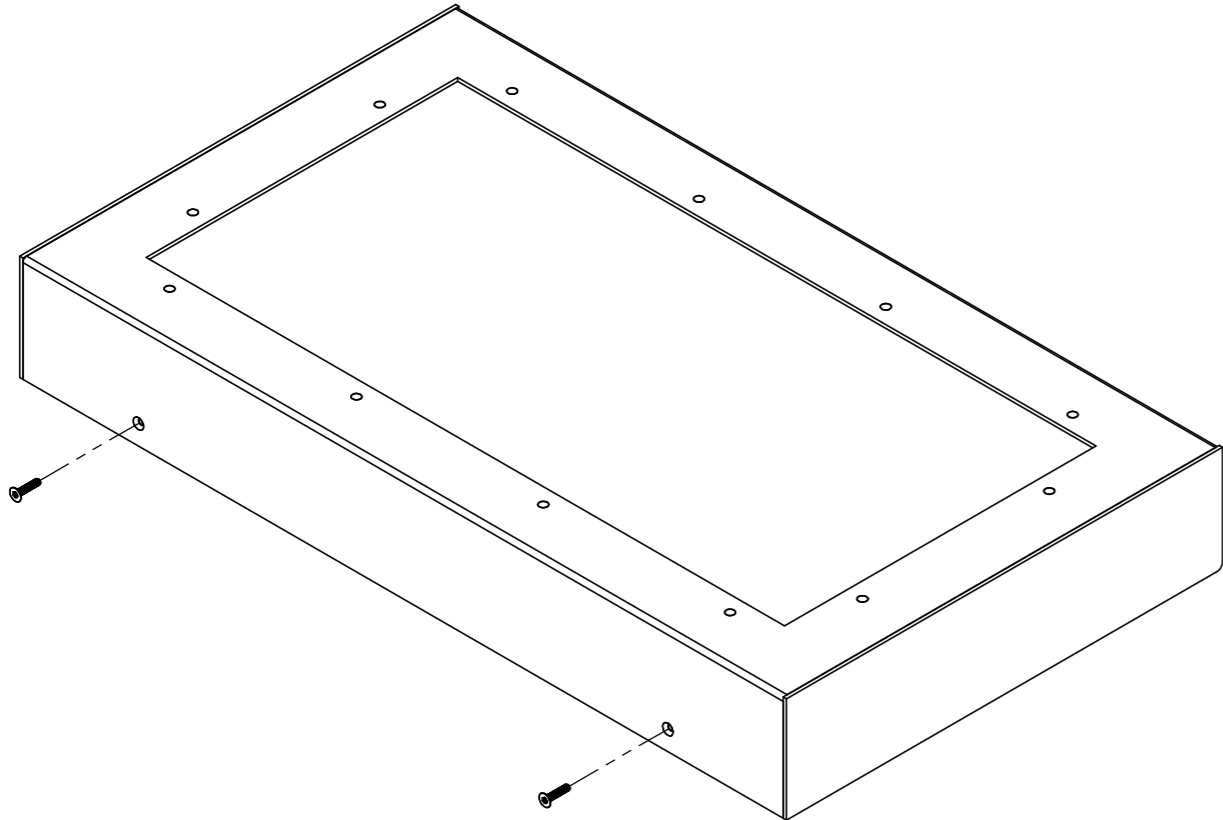
INSTALLATION INSTRUCTIONS:



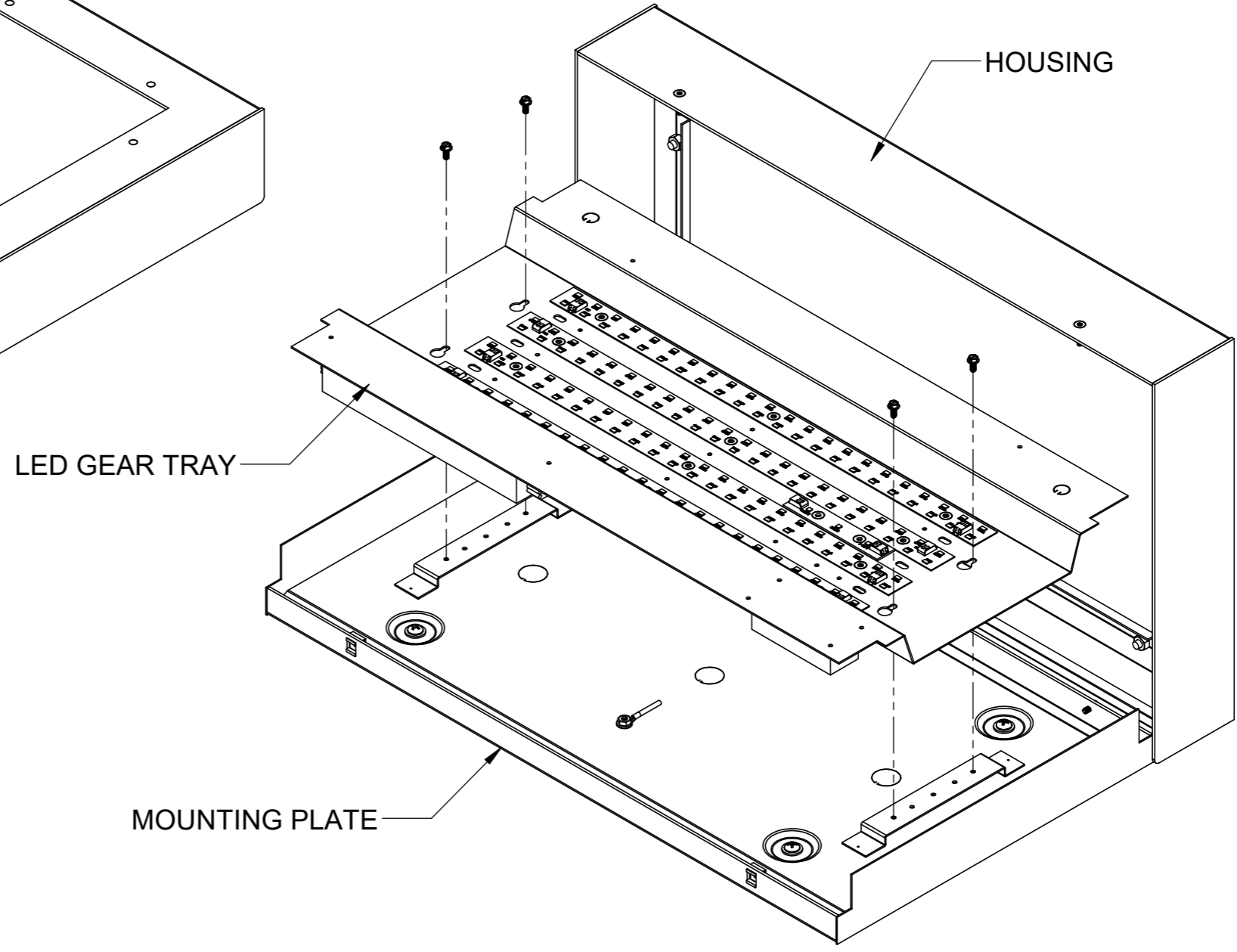
New Star 33MWX Series - Installation Instructions

2225 W Pershing Rd. Chicago, IL 60609 - 773.847.1400 - www.newstarlighting.com

1. Open fixture.



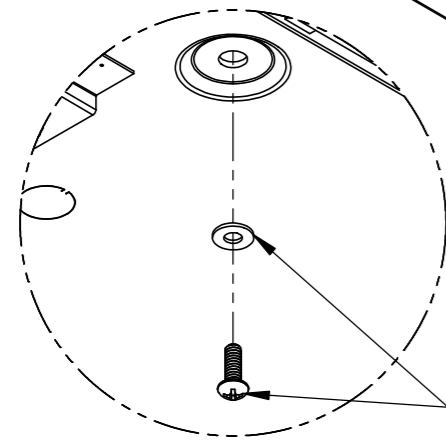
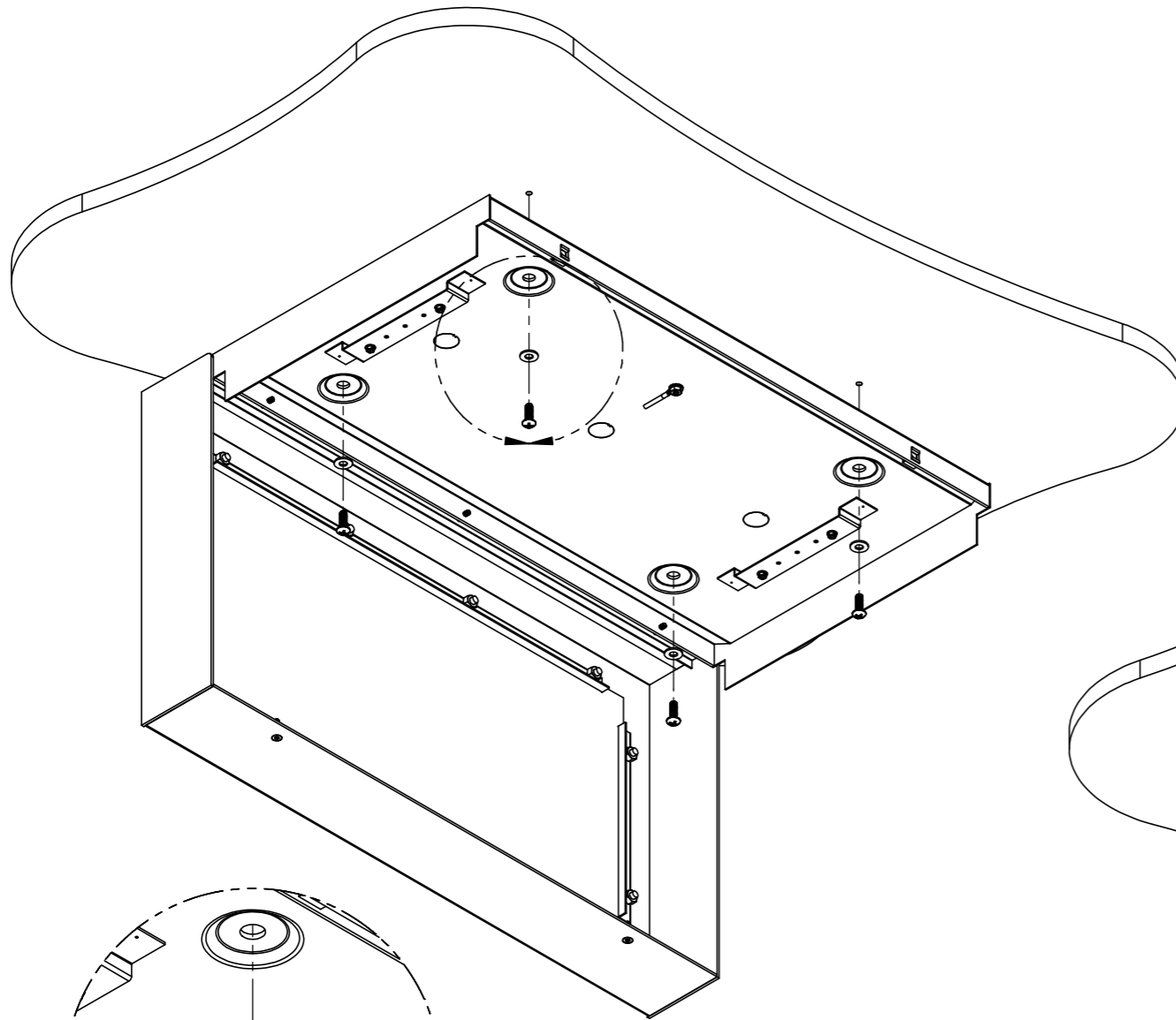
2. Remove LED Gear Tray.



New Star 33MWX Series - Installation Instructions

2225 W Pershing Rd. Chicago, IL 60609 - 773.847.1400 - www.newstarlighting.com

3. Find desired location, make necessary electrical connections and secure to surface.



HARDWARE
(BY OTHERS)

4. Re-attach LED Gear Tray and close fixture.

