

## 37M SERIES LED

37M12/37M14/37M22/37M24

### SPECIFICATION FEATURES

**HOUSING:** Die formed, seam welded, and ground smooth cold rolled steel or stainless steel housing. Incorporates a removable reflector unitized with all electrical components for easy installation and maintenance.

**FRAME:** Die formed one-piece frame with tightly closed corners (material and gauge to match housing).

**HINGE:** 16 gauge full length continuous staked piano hinge with welded ends to prevent removal (material to match housing).

**LENS:** Outer and inner lens options secured with "Z" retainers with welded studs six inches apart for maximum strength.

**LED:** Available in three color temperatures 3500K, 4000K, and 5000K with maximum 3-step MacAdam variation allowance. Other color temperatures available, consult factory. Minimum 80 CRI standard. 0-10V dimming available with 10-100% range and 1-100% range. Must specify dimming under options.

**FASTENERS:** Tamper resistant countersunk flat head Torx screws with center pin reject.

**FINISH:** White powder coat finish following multistage iron phosphate pre-treatment.

**GASKET:** Black neoprene gasket around door frame to prevent light leaks.



**APPLICATIONS:** Ligature resistant for Behavioral Health Settings or areas where ligature is a concern, Correctional, Detention Centers, High Abuse, Minimum/Maximum Security, Public Areas, Public Housing, Warehouses, and more.

**MOUNTING:** Easy Flange installation with adjustable 90° swing arm system. Hardware by others.

**LABEL:** Fixture is certified to UL standards.



### ORDERING INFORMATION

Example: 37M22-F/C-L4352C-5/D-27

SERIES	SIZE	HOUSING	FRAME	LUMEN OUTPUT*	COLOR TEMP.	CIRCUITS		
37M	12 = 1x2	A = 12 Ga. CRS Painted	A = 12 Ga. CRS Painted	<b>37M12-14:</b>	35 = 3500K	1C = 1 Circuit		
	14 = 1x4	B = 14Ga. CRS Painted	B = 14Ga. CRS Painted		L2 = Low	40 = 4000K	2C = 2 Circuits	
	22 = 2x4	C = 16Ga. CRS Painted	C = 16Ga. CRS Painted		L3 = High	50 = 5000K		
	24 = 2x4	D = 18Ga. CRS Painted	E = 14Ga. SS Brushed	<b>37M22-24:</b>				
	*Nominal Size. Dimensional Data on Page 2		E = 14Ga. SS Brushed		F = 16Ga. SS Brushed	L2 = Low		
			F = 16Ga. SS Brushed		H = 14Ga. SS Painted	L4 = Standard		
			G = 18Ga. SS Brushed		J = 16Ga. SS Painted	L6 = Medium		
			H = 14Ga. SS Painted			L8 = High		
			J = 16Ga. SS Painted					
		K = 18Ga. SS Painted						
					* Subject to change. Data on Page 2			

OUTER LENS	INNER LENS	VOLTAGE	OPTIONS	ACCESSORY
0 = No Lens	A = .125 Prismatic Acrylic	12 = 120V	DM = 0-10V dimming with 10-100% range	PF = Plaster Frame & Yoke
1 = .187 Clear Poly.	B = .125 Prismatic Poly.	27 = 277V	DM1 = 0-10V dimming with 1-100% range	CB = Cross Bar
2 = .250 Clear Poly.	C = .156 Prismatic Poly.	34 = 347V	FZ1 = Fuse (120V)	
3 = .375 Clear Poly.	D = .187 Prismatic Poly.	UN = Universal	FZ2 = Fuse (277V)	
5 = .187 Clear Temp. Glass	E = .156 Prismatic Temp. Glass	(120V-277V)	EL1 = Emerg. Bat. LED Low (1100-1250 lm)*	
6 = .250 Clear Temp. Glass	F = .156 Prismatic Acrylic		EL2 = Emerg. Bat. LED High (1900-2000 lm)**	
7 = .375 Clear Temp. Glass*	G = .140 DR Acrylic		LN = LED Night Light***	
	LC3 = .125 White Frosted Poly.		SD2 = Step Dim. Module (50-100%)****	
			SD3 = Step Dim. Module (25-50-100%)****	
			AH = Allen head Screws with Center Pin Reject	
			WL = Wet Location (Use under covered ceiling)	

\*Must use with 12Ga. or 14Ga. Frame

\*Consult factory for the CA Title 24 options. If stored, batteries should be fully recharged every six months and kept between 0°C-25°C to maintain optimal battery capacity.

\*\*Consult factory for the CA Title 24 options. N/A for 37M12. If stored, batteries should be fully recharged every six months and kept between 0°C-25°C to maintain optimal battery capacity.

\*\*\*3500°K Night Light with integrated switch allows light levels at 100%, 70%, 40% and 10%.

\*\*\*\* N/A with 277V.

Notes:  
 This product is Made in America and complies with the Buy American Act requirements. Specifications and dimensions are subject to change without notice. For additional options and dimensional details please consult your New Star Lighting Representative.

## PERFORMANCE DATA\*

MODEL	OUTPUT	COLOR TEMP.	LUMENS DELIVERED	EFFICACY (lm/W)	INPUT POWER (W)
37M12	Low (L2)	4000K	2750	110	25
	High (L3)	4000K	4125	110	37.5
37M14	Low (L2)	4000K	5500	110	50
	High (L3)	4000K	8250	110	75
37M22	Low (L2)	4000K	2750	110	25
	Standard (L4)	4000K	5500	110	50
	Medium (L6)	4000K	8250	110	75
	High (L8)	4000K	11000	110	100
37M24	Low (L2)	4000K	5500	110	50
	Standard (L4)	4000K	11000	110	100
	Medium (L6)	4000K	16500	110	150
	High (L8)	4000K	22000	110	200

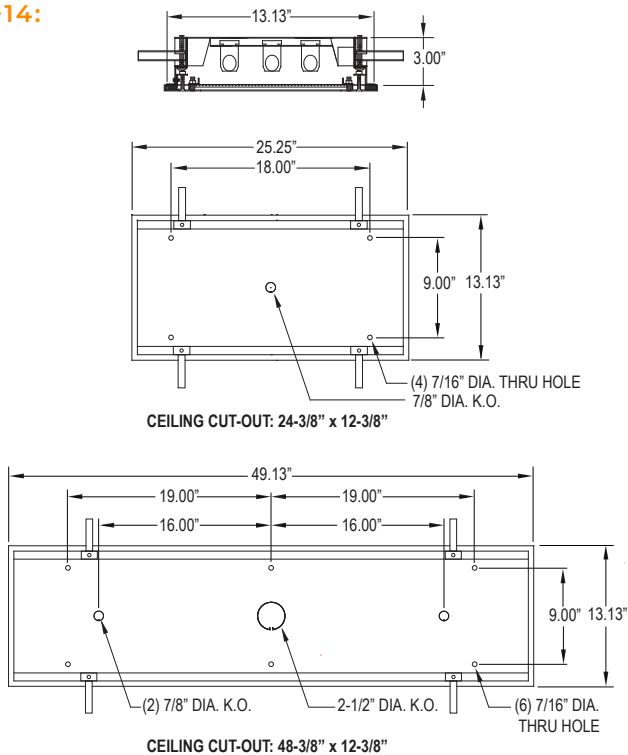
\* Displayed information does not reflect fixture options  
 Displayed information does not consider fixture options  
 Displayed information is for base products

and is with a .187 clear polycarbonate outer lens/.125 prismatic acrylic inner lens.  
 LEDs are frequently updated therefore values may change without notice. Visit [www.newstarlighting.com](http://www.newstarlighting.com) for additional information and IES files.

## DIMENSIONAL DATA

Fixture weight varies and is dependent upon chosen specifications.  
 Average weight of the 37M12-37M14 is 30lbs to 60lbs. Average weight of the 37M22-24 is 38lbs to 63 lbs. Consult factory for additional information.

### 37M12-14:



### 37M22-24:

