

5TH SERIES LED

51HC2/51HC4

SPECIFICATION FEATURES

HOUSING: 16 gauge cold rolled steel internally reinforced to provide double wall thickness at ends and corners.

LENS: .125" impact resistant clear prismatic UV stabilized polycarbonate diffuser.

LED: Available in three color temperatures 3500°K, 4000°K, and 5000°K with maximum 3-step MacAdam variation allowance. Other color temperatures available, consult factory. Minimum 80 CRI standard. 0-10V dimming available with 10-100% range and 1-100% range. Must specify dimming under options.

FASTENERS: Tamper resistant Torx head screws with center pin reject.

FINISH: White powder coat finish following multistage iron phosphate pre-treatment.



51HC2

APPLICATIONS: High Abuse Areas, Apartment Buildings, School Campuses, Public Housing Complexes, Transportation Terminals, Hotels, Freezer Units, Stairwells, Locker Rooms, Detention Centers, Hospitals, and more.

MOUNTING: Tandem or Pendant style mount available. Hardware and stem by others.

LABEL: Fixture is certified to UL standards.



ORDERING INFORMATION

Example: 51HC2-L2401C-B-UN

SERIES	SIZE*	LUMEN OUTPUT*	COLOR TEMP.	CIRCUITS
51HC		L2		
	2 = 2ft 4 = 4ft	L2 = Standard	35 = 3500°K 40 = 4000°K 50 = 5000°K	1C = 1 Circuit 2C = 2 Circuits
	*Nominal Size. Dimensional Data on Page 2.	*Subject to change. Data on Page 2		

LENS	VOLTAGE	OPTIONS
B = .125 Prismatic Poly.	12 = 120V	DM = 0-10V dimming with 10-100% range
C = .156 Prismatic Poly.	27 = 277V	DM1 = 0-10V dimming with 1-100% range
D = .187 Prismatic Poly.	34 = 347V	FZ1 = Fuse (120V)
	UN = Universal	FZ2 = Fuse (277V)
	(120V-277V)	EL1 = Emerg. Bat. LED Low (1100-1250 lm)*
		EL2 = Emerg. Bat. LED High (1900-2000 lm)*
		SS = Stainless Steel Brushed Housing
		WL = Wet Location (Covered Ceiling Only)
		AH = Allen Head Screws with Center Pin
		PM = Pendant Style Mount (Hardware/stem by others)

*Consult factory for the CA Title 24 options. If stored, batteries should be fully recharged every six months and kept between 0°C-25°C to maintain optimal battery capacity.

51H SERIES LED

51HC2/51HC4



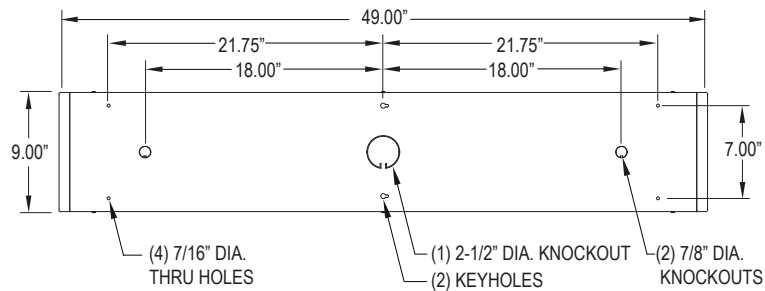
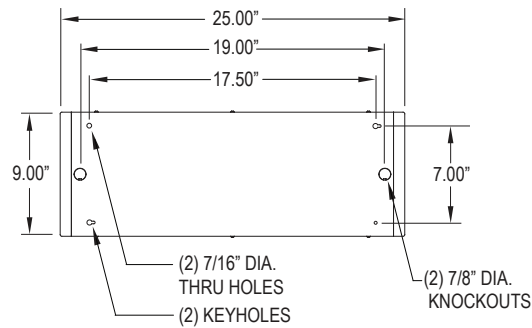
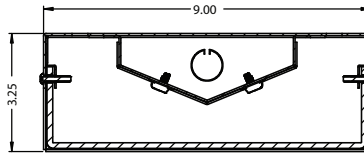
PERFORMANCE DATA*

MODEL	OUTPUT	COLOR TEMP.	LUMENS DELIVERED	EFFICACY (lm/W)	INPUT POWER (W)
51HC2	Standard (L2)	4000°K	2750	110	25
51HC4	Standard (L2)	4000°K	5500	110	50

*LEDs are frequently updated therefore values may change without notice. Visit www.newstarlighting.com for additional information and IES files.

DIMENSIONAL DATA

Fixture weight varies and is dependent upon chosen specifications. Consult factory for additional information. Average weight of the 51HC2 is 15lbs. Average weight of the 51HC4 is 35lbs.



Notes:
This product is Made in America and complies with the Buy American Act requirements. Specifications and dimensions are subject to change without notice. For additional options and dimensional details please consult your New Star Lighting Representative.