

51H SERIES FLUORESCENT

51HD4

SPECIFICATION FEATURES

HOUSING: 16Ga. cold rolled steel internally reinforced to provide double wall thickness at ends and corners.

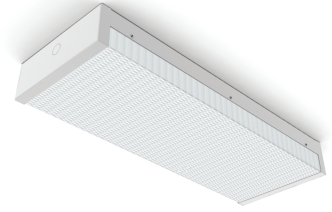
LENS: .125" impact resistant clear prismatic UV stabilized polycarbonate diffuser

REFLECTOR: Cold rolled steel, removable and unitized with all electrical components for easy installation and maintenance.

ELECTRONICS: Electronic Ballast <10% THD standard. Lamps by others.

FASTENERS: Six tamper resistant Torx head screws with center pin reject.

FINISH: White powder coat finish following multistage iron phosphate pre-treatment.



APPLICATIONS: High Abuse Areas, Apartment Buildings, School Campuses, Public Housing Complexes, Transportation Terminals, Hotels, Freezer Units, Stairwells, Locker Rooms, Detention Centers, Hospitals, and more.

MOUNTING: Tandem or Pendant style mount available. Hardware and stem by others.

LABEL: Fixture is certified to UL standards.



ORDERING INFORMATION

Example: 51HD4-4321C-B-UN

| SERIES | # OF LAMP | LAMP TYPE | CIRCUITS | LENS | VOLTAGE | OPTIONS |
|--------|-------------|--------------------|-----------------|----------------------------|---|--|
| 51HD4 | 2 = 2 Lamps | 32 = Linear 32W T8 | 1C = 1 Circuit | B = .125 Prismatic Poly. | 12 = 120V | DB = Dimming Ballast (0-10V)* E1 = Emerg. Ballast (450lm)** E2 = Emerg. Ballast (1350lm)** FZ1 = Fuse (120V) FZ2 = Fuse (277V) PR = Program Rapid Start SS = Stainless Steel Brushed Housing WL = Wet Location (Covered Ceiling Only) CW = Cold Weather Ballast (-30°C) T8 Lamp Only AH = Allen Head Screws with Center Pin |
| | 4 = 4 Lamps | 28 = Linear 28W T5 | 2C = 2 Circuits | C = .156 Prismatic Poly. | 27 = 277V | |
| | | 54 = Linear 54W T5 | | D = .187 Prismatic Poly. | 34 = 347V* | |
| | | | | UN = Universal (120V-277V) | | |
| | | | | | *Consult factory for lamp-ballast options | |

* Cannot use with UN voltage.
** Cannot use with UN voltage. Consult factory for T5 availability

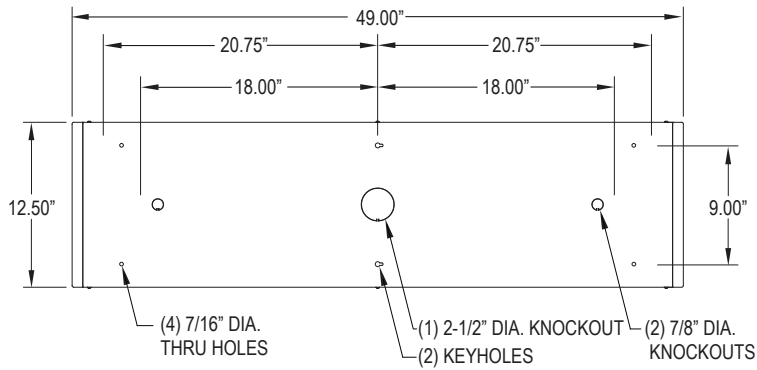
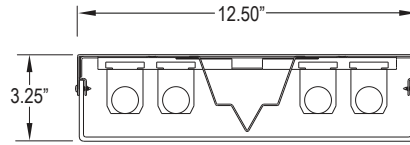
51H SERIES FLUORESCENT

51HB4



DIMENSIONAL DATA

Fixture weight varies and is dependent upon chosen specifications.
Average weight of the 51HD4 is 25lbs. Consult factory for additional information.



Notes:
This product is Made in America and complies with the Buy American Act requirements. Specifications and dimensions are subject to change without notice. For additional options and dimensional details please consult your New Star Lighting Representative.