

5TH SERIES LED

51HD4

SPECIFICATION FEATURES

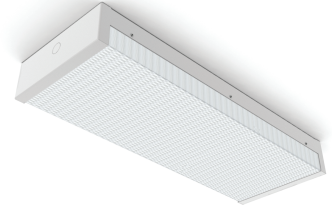
HOUSING: 16Ga. cold rolled steel internally reinforced to provide double wall thickness at ends and corners.

LENS: .125" impact resistant clear prismatic UV stabilized polycarbonate diffuser.

LED: Available in three color temperatures 3500°K, 4000°K, and 5000°K with maximum 3-step MacAdam variation allowance. Other color temperatures available, consult factory. Minimum 80 CRI standard. 0-10V dimming available with 10-100% range and 1-100% range. Must specify dimming under options.

FASTENERS: Six tamper resistant Torx head screws with center pin reject.

FINISH: White powder coat finish following multistage iron phosphate pre-treatment.



APPLICATIONS: High Abuse Areas, Apartment Buildings, School Campuses, Public Housing Complexes, Transportation Terminals, Hotels, Freezer Units, Stairwells, Locker Rooms, Detention Centers, Hospitals, and more.

MOUNTING: Surface installation. Hardware by others.

LABEL: Fixture is certified to UL standards.



ORDERING INFORMATION

Example: 51HD4-L2351C-B-12

SERIES	LUMEN OUTPUT*	COLOR TEMP.	CIRCUITS	LENS	VOLTAGE	OPTIONS
51HD4	L2 = Standard L4 = High	35 = 3500°K 40 = 4000°K 50 = 5000°K	1C = 1 Circuit 2C = 2 Circuits	B = .125 Prismatic Poly. C = .156 Prismatic Poly. D = .187 Prismatic Poly.	12 = 120V 27 = 277V 34 = 247V UN = Universal (120V-277V)	DM = 0-10V dimming with 10-100% range DMI = 0-10V dimming with 1-100% range FZ1 = Fuse (120V) FZ2 = Fuse (277V) EL1 = Emerg. Bat. LED Low (1100-1250 lm)* EL2 = Emerg. Bat. LED High (1900-2000 lm)* SS = Stainless Steel Brushed Housing WL = Wet Location (Covered Ceiling Only) AH = Allen Head Screws with Center Pin

*Subject to change.
Data on Page 2

*Consult factory for the CA Title 24 options. If stored, batteries should be fully recharged every six months and kept between 0°C-25°C to maintain optimal battery capacity.

PERFORMANCE DATA*

MODEL	OUTPUT	COLOR TEMP.	LUMENS DELIVERED	EFFICACY (lm/W)	INPUT POWER (W)
51HD4	Standard (L2)	4000°K	5500	110	50
	High (L4)	4000°K	11000	110	100

*LEDs are frequently updated therefore values may change without notice. Visit www.newstarlighting.com for additional information and IES files.

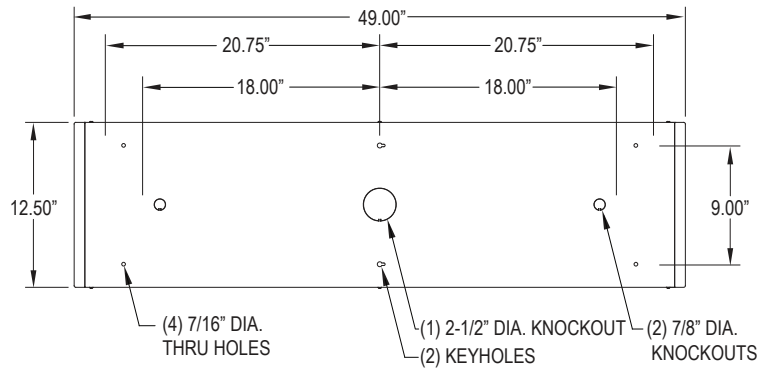
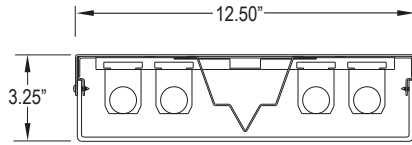
51H SERIES LED

51HD4



DIMENSIONAL DATA

Fixture weight varies and is dependent upon chosen specifications.
Average weight of the 51HD4 is 25lbs. Consult factory for additional information.



Notes:
This product is Made in America and complies with the Buy American Act requirements. Specifications and dimensions are subject to change without notice. For additional options and dimensional details please consult your New Star Lighting Representative.