

53M SERIES LED

53M11/53M12/53M14

SPECIFICATION FEATURES

- HOUSING:** Die formed, seam welded, and ground smooth cold rolled steel or stainless steel clamshell design. Incorporates a removable reflector unitized with all electrical components for easy installation and maintenance. Clamshell design incorporates a contraband drop slot gap between the ceiling and back of fixture.
- BACKPLATE:** Die formed with contraband drop slot and embossed mounting holes (material to match housing). Security caulking between ceiling and fixture is not required with this backplate design.
- HINGE:** 16 gauge full length continuous, staked piano hinge with welded ends to prevent removal (material to match housing).
- LENS:** Outer and Inner lens options secured by "Z" retainers with weld studs spaced six inches apart for maximum strength.
- LED:** Available in three color temperatures 3500°K, 4000°K and 5000°K. Other color temperatures available, consult factory. Standard 0-10V driver provided. Optional dimming function (DM) with 10-100% range.
- FASTENERS:** Tamper resistant countersunk flat head Torx screws with center pin reject.
- FINISH:** White powder coat finish following iron phosphate pre-treatment.
- GASKET:** Black neoprene gasket around door frame to prevent light leaks.



53M11

APPLICATION:

Minimum to Supermax Confinement, Psychiatric Wards, Public Housing, Detention Centers, Transportation, Athletic Facilities, and more.

MOUNTING:

Surface installation.

LABEL:

Fixture is certified to UL standards.



ORDERING INFORMATION

Ex: 53M12-A-L2401-0/C-UN

SERIES	NOMINAL SIZE <small>*Dimensional Data Pg. 2</small>	HOUSING	LUMEN OUTPUT <small>*Performance Data Pg. 2 Subject to change.</small>	COLOR TEMP.
53M	11 = 1x1 12 = 1x2 14 = 1x4	A = 12Ga. CRS Painted B = 14Ga. CRS Painted C = 16Ga. CRS Painted D = 18Ga. CRS Painted E = 14Ga. SS Brushed F = 16Ga. SS Brushed G = 18Ga. SS Brushed H = 14Ga. SS Painted J = 16Ga. SS Painted K = 18Ga. SS Painted	11: M1 = Standard M2 = Medium 12-14: L2 = Standard L3 = Medium	35 = 3500°K 40 = 4000°K 50 = 5000°K
CIRCUITS	OUTER LENS	INNER LENS	VOLTAGE	OPTIONS
1 = 1 Circuit 2 = 2 Circuits	0 = No Lens A = .125 Clear Poly. B = .156 Clear Poly. 1 = .187 Clear Poly. 2 = .250 Clear Poly. 3 = .375 Clear Poly. 4 = .500 Clear Poly. 5 = .187 Clear Temp. Glass 6 = .250 Clear Temp. Glass 7 = .375 Clear Temp. Glass^ 8 = .500 Clear Temp. Glass^ 9 = .750 Clear Temp. Glass^	0 = No Lens A = .125 Prismatic Acrylic B = .125 Prismatic Poly. C = .156 Prismatic Poly. D = .187 Prismatic Poly. E = .156 Prismatic Temp. Glass F = .156 Prismatic Acrylic G = .140 DR Acrylic	12 = 120V 27 = 277V 34 = 347V UN = Universal (120V-277V)	FZ1 FZ2 LN* UV AH DM DM1

KEY

FZ1 = Fuse (120V)

FZ2 = Fuse (277V)

LN = LED Night Light. Integrated switch allows light levels at 100%, 70%, 40%, and 10% levels.

UV = .005 UV Absorbing Overlay

AH = Allen head screws with center pin reject

DM = 0-10V dimming with 10-100% range

DM1 = 0-10V dimming with 1-100% range

Dimming wires will be extended outside of fixture.

*N/A with L3. Night light operates independently and does not affect the number of circuits specified.

-- Subject to change

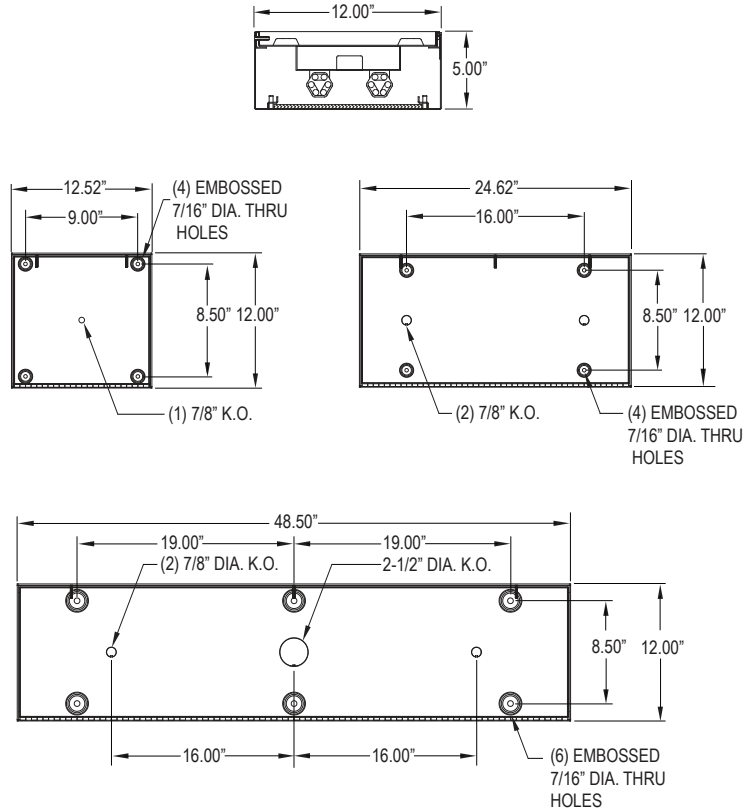
^ Must use with 12Ga. or 14Ga. Frame

Notes:

Specifications and Dimensions are subject to change without notice.

For additional options and dimensional details please consult your New Star Lighting Representative.

DIMENSIONAL DATA



PERFORMANCE DATA

MODEL	OUTPUT	COLOR TEMP.	LUMENS DELIVERED	EFFICACY (lm/W)	INPUT POWER (W)
53M11	Standard	3500°K	1450	90	15
		4000°K	1500	100	15
		5000°K	1560	104	15
	Medium	3500°K	3300	110	30
		4000°K	3450	115	30
		5000°K	3900	130	30
53M12	Standard	3500°K	2875	115	25
		4000°K	3000	120	25
		5000°K	3125	125	25
	Medium	3500°K	4180	110	38
		4000°K	4370	115	38
		5000°K	4560	120	38
53M14	Standard	3500°K	5750	115	50
		4000°K	6000	120	50
		5000°K	6250	125	50
	Medium	3500°K	8250	110	75
		4000°K	8625	115	75
		5000°K	9000	120	75

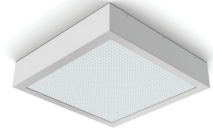
Notes:
 Specifications and Dimensions are subject to change without notice.
 For additional options and dimensional details please consult your New Star Lighting Representative.

53M SERIES LED

53M22/53M24

SPECIFICATION FEATURES

- HOUSING:** Die formed, seam welded, and ground smooth cold rolled steel or stainless steel clamshell design. Incorporates a removable reflector unitized with all electrical components for easy installation and maintenance. Clamshell design incorporates a contraband drop slot gap between the ceiling and back of fixture.
- BACKPLATE:** Die formed with contraband drop slot and embossed mounting holes (material to match housing). Security caulking between ceiling and fixture is not required with this backplate design.
- HINGE:** 16 gauge full length continuous, staked piano hinge with welded ends to prevent removal (material to match housing).
- LENS:** Outer and Inner lens options secured by "Z" retainers with weld studs spaced six inches apart for maximum strength.
- LED:** Available in three color temperatures 3500°K, 4000°K and 5000°K. Other color temperatures available, consult factory. Standard 0-10V driver provided. Optional dimming function (DM) with 10-100% range.
- FASTENERS:** Tamper resistant countersunk flat head Torx screws with center pin reject.
- FINISH:** White powder coat finish following iron phosphate pre-treatment.
- GASKET:** Black neoprene gasket around door frame to prevent light leaks.



APPLICATION:

Minimum to Supermax Confinement, Psychiatric Wards, Public Housing, Detention Centers, Transportation, Athletic Facilities, and more.

MOUNTING:

Surface installation.

LABEL:

Fixture is certified to UL standards.



ORDERING INFORMATION

Ex: 53M22-A-L2401-0/C-UN

SERIES	NOMINAL SIZE <small>*Dimensional Data Pg. 2</small>	HOUSING	LUMEN™ OUTPUT <small>*Performance Data Pg. 2</small>	COLOR TEMP.
53M	22 = 2x2 24 = 2x4	A = 12Ga. CRS (Painted) B = 14Ga. CRS (Painted) C = 16Ga. CRS (Painted) D = 18Ga. CRS (Painted) E = 14Ga. SS (Brushed) F = 16Ga. SS (Brushed) G = 18Ga. SS (Brushed) H = 14Ga. SS (Painted) J = 16Ga. SS (Painted) K = 18Ga. SS (Painted)	53M22: L2 = Low L4 = Standard 53M24: L2 = Low L4 = Standard L6 = Medium L8 = High	35 = 3500°K 40 = 4000°K 50 = 5000°K
CIRCUITS	OUTER LENS	INNER LENS	VOLTAGE	OPTIONS
1 = 1 Circuit 2 = 2 Circuits	0 = No Lens A = .125 Clear Poly. B = .156 Clear Poly. 1 = .187 Clear Poly. 2 = .250 Clear Poly. 3 = .375 Clear Poly. 4 = .500 Clear Poly. 5 = .187 Clear Temp. Glass 6 = .250 Clear Temp. Glass 7 = .375 Clear Temp. Glass^ 8 = .500 Clear Temp. Glass^ 9 = .750 Clear Temp. Glass^	A = .125 Prismatic Acrylic B = .125 Prismatic Poly. C = .156 Prismatic Poly. D = .187 Prismatic Poly. E = .156 Prismatic Temp. Glass F = .156 Prismatic Acrylic G = .140 DR Acrylic LC3 = .125 White Frosted Poly.	12 = 120V 27 = 277V 34 = 347V UN = Universal (120V-277V)	FZ1 FZ2 LN* UV AH DM

KEY

FZ1 = Fuse (120V)
FZ2 = Fuse (277V)
LN = LED Night Light. Integrated switch allows light levels at 100%, 70%, 40%, and 10% levels.

UV = .005 UV Absorbing Overlay
AH = Allenhead Scres with center pin reject
DM = 0-10V dimming with 10-100% range.
Dimming wires will be extended outside of fixture.

*Night light operates independently and does not affect the number of circuits specified.

-- Subject to change

^ Must use with 12Ga. or 14Ga. Frame

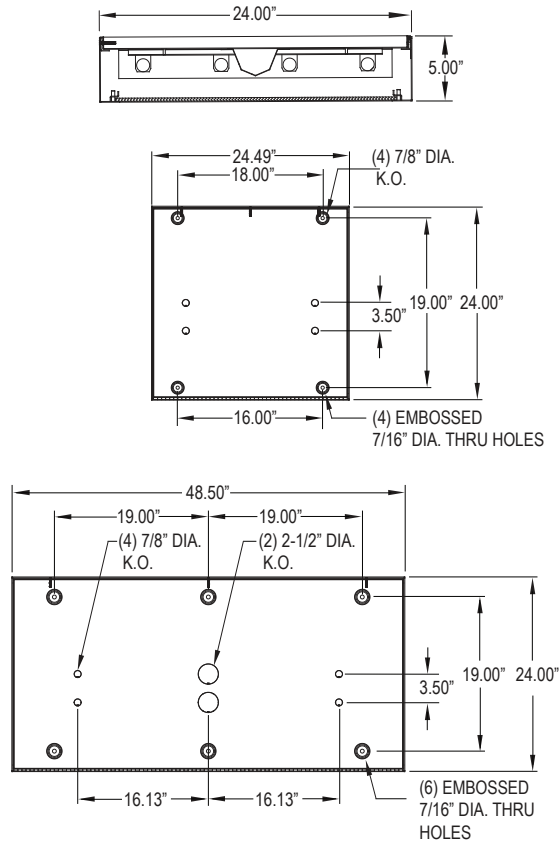
Notes:
Specifications and Dimensions are subject to change without notice.
For additional options and dimensional details please consult your New Star Lighting Representative.

53M SERIES LED

53M22/53M24



DIMENSIONAL DATA



PERFORMANCE DATA

MODEL	OUTPUT	COLOR TEMP.	LUMENS DELIVERED	EFFICACY (lm/W)	INPUT POWER (W)
53M22	Low	3500°K	3000	120	25
		4000°K	3125	125	25
		5000°K	3250	130	25
	Standard	3500°K	6000	120	50
		4000°K	6250	125	50
		5000°K	6500	130	50
53M24	Low	3500°K	6000	120	50
		4000°K	6250	125	50
		5000°K	6500	130	50
	Standard	3500°K	12000	120	100
		4000°K	12500	125	100
		5000°K	13000	130	100
	Medium	3500°K	17250	115	150
		4000°K	18000	120	150
		5000°K	18750	125	150
	High	3500°K	23000	115	200
		4000°K	24000	120	200
		5000°K	25000	125	200

Notes:
 Specifications and Dimensions are subject to change without notice.
 For additional options and dimensional details please consult your New Star Lighting Representative.