

53 SERIES FLUORESCENT

5311/5312/5314/5322/5324

SPECIFICATION FEATURES

HOUSING: Die formed, seam welded, and ground smooth cold rolled steel or stainless steel non-clamshell design. Incorporates a removable reflector unitized with all electrical components for easy installation and maintenance.

FRAME: Die formed one-piece frame with tightly closed corners (material and gauge to match housing).

HINGE: 16 gauge full length continuous, staked piano hinge with welded ends to prevent removal (material to match housing).

LENS: Outer and inner lens options secured by "Z" retainers with weld studs spaced six inches apart for maximum strength.

ELECTRONICS: Electronic Ballast <10% THD standard. Lamps by others.

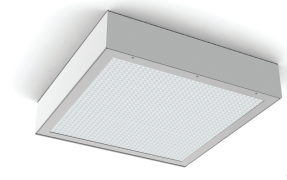
FASTENERS: Tamper resistant countersunk flat head Torx head screws with center pin.

FINISH: White powder coat finish following multistage iron phosphate pre-treatment.

GASKET: Black neoprene gasket around door frame to prevent light leaks.

ORDERING INFORMATION

Example: 5322-A-4142-A/B-UN



5322

APPLICATIONS: Minimum to Supermax Confinement, Behavioral Health Settings, Public Housing, Detention Centers, Transportation, Athletic Facilities, and more.

MOUNTING: Surface installation.

LABEL: Fixture is certified to UL standards.



SERIES	SIZE*	HOUSING	# OF LAMPS	LAMP TYPE	# OF BALLASTS	
53	11 = 1x1	A = 12Ga. CRS Painted	5311:	5311:	5322:	1 = 1 Ballast
	12 = 1x2	B = .14Ga. CRS Painted	1 = 1 Lamp	26 = 26W Triple Gx24q-3	17 = Linear 17W T8	2 = 2 Ballast
	14 = 1x4	C = 16Ga. CRS Painted	2 = 2 Lamps	6Q = 26W Quad Gx24q-3	14 = Linear 14W T5	
	22 = 2x2	D = 18Ga. CRS Painted	5312-14:	32 = 32W Triple Gx24q-3*	24 = Linear 24W T5	
	24 = 2x4	E = 14Ga. SS Brushed	2 = 2 Lamps	42 = 42W Triple Gx24-q4*	40 = 40 Twin 2Gx11**	
		F = 16Ga. SS Brushed	3 = 3 Lamps	5312:	U6 = 32W U-Lamp***	
		G = 18Ga. SS Brushed	5322:	17 = Linear 17W T8	5324:	
		H = 14Ga. SS Painted	2 = 2 Lamps	14 = Linear 14W T5	32 = 32W T8	
		J = 16Ga. SS Painted	3 = 3 Lamps	24 = Linear 24W T5 HO	28 = 28W T5	
		K = 18Ga. SS Painted	4 = 4 Lamps	40 = 40 Twin 2Gx11**	54 = 54W T5 HO	
			5324:	5314:		
			2 = 2 Lamps	32 = 32W T8		
			3 = 3 Lamps	28 = 28W T5		
			4 = 4 Lamps	54 = 54W T5 HO		
			6 = 6 Lamps			

*Nominal Size. Dimensional Data on Page 2

*1 Lamp Only
**2 Lamp Only
***4 Lamp Only

OUTER LENS	INNER LENS	VOLTAGE	OPTIONS
0 = No Lens	A = .125 Prismatic Acrylic	12 = 120V	E1 = Emerg. Ballast (450lm)**
A = .125 Clear Poly.	B = .125 Prismatic Poly.	27 = 277V	E2 = Emerg. Ballast (1350lm)**
B = .156 Clear Poly.	C = .156 Prismatic Poly.	34 = 347V	DB = Dimming Ballast (0-10V)*
1 = .187 Clear Poly.	D = .187 Prismatic Poly.	UN = Universal	PR = Program Rapid Start
2 = .250 Clear Poly.	E = .156 Prismatic Temp. Glass	(120V-277V)	AH = Allen head screws with center pin reject
3 = .375 Clear Poly.	F = .156 Prismatic Acrylic		FZ1 = Fuse (120V)
4 = .500 Clear Poly.	G = .140 DR Prismatic Acrylic		FZ2 = Fuse (277V)
5 = .187 Clear Temp. Glass	LC3 = .125 White Frosted Poly.		WL = Wet Location
6 = .250 Clear Temp. Glass			UV = .005 UV Absorbing Overlay
7 = .375 Clear Temp. Glass*			QD = Quick Disconnect
8 = .500 Clear Temp. Glass*			NL = Night Light*
9 = .750 Clear Temp. Glass*			

*Must use with 12Ga. or 14Ga.

* Cannot use with UN voltage.

Notes: This product is Made in America and complies with the Buy American Act requirements. Specifications and Dimensions are subject to change without notice. For additional options and dimensional details please consult your New Star Lighting Rep.

53 SERIES FLUORESCENT

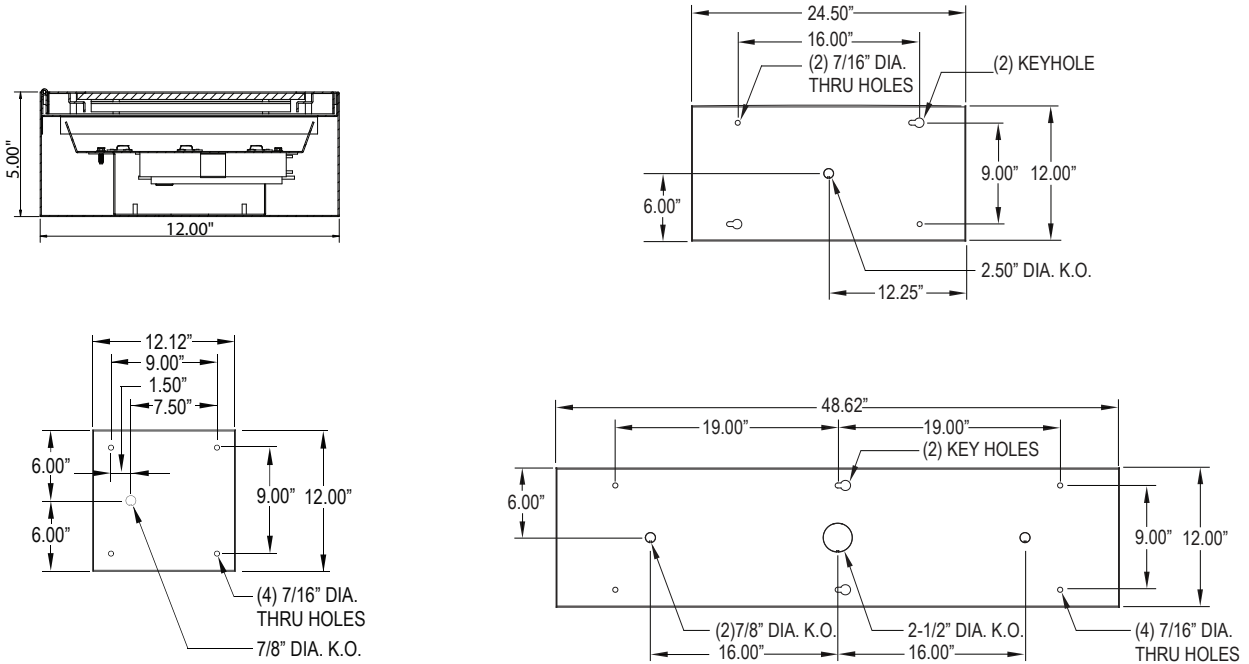
5311/5312/5314/5322/5324

DIMENSIONAL DATA

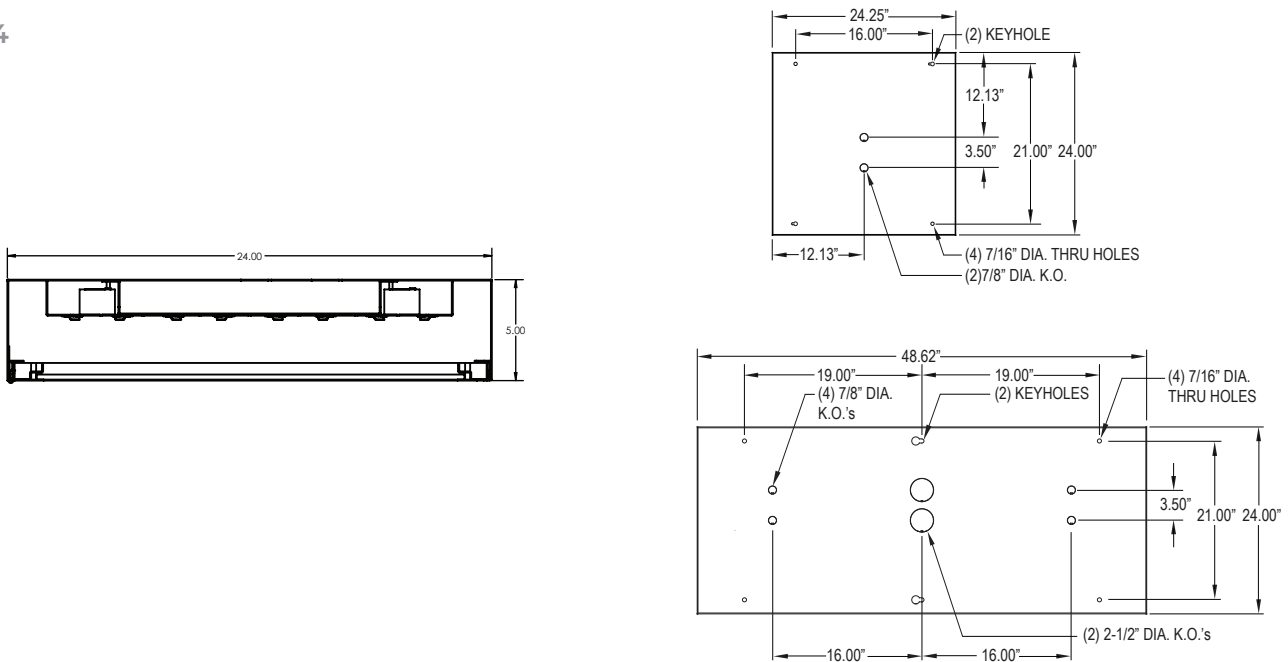
Fixture weight varies and is dependent upon chosen specifications. Consult factory for additional information.

Average weight of the 5312 is 30lbs. Average weight of the 5314 is 60lbs. Average weight of the 5322 is 35lbs. Average weight of the 5324 is 70lbs.

5311-12-14



5322-24



Notes:
This product is Made in America and complies with the Buy American Act requirements. Specifications and Dimensions are subject to change without notice. For additional options and dimensional details please consult your New Star Lighting Rep.