

57M11 LED

57M11

SPECIFICATION FEATURES

HOUSING: Die formed, seam welded, and ground smooth cold rolled steel or stainless steel (specify gauge). Incorporates a removable reflector unitized with all electrical components for easy installation and maintenance.

FRAME: Die formed one-piece frame with tightly closed corners available in cold rolled steel or stainless steel.

HINGE: 16 gauge full length continuous, staked piano hinge, with welded ends to prevent removal (material to match housing).

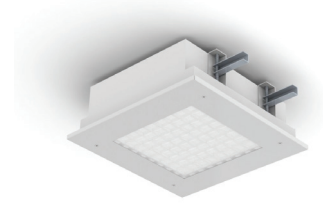
LENS: Lens per specification (see options) and secured by "Z" retainers with welded studs spaced six inches apart for maximum strength.

LED: Available in three color temperatures 3500K, 4000K and 5000K. Other color temperatures available, consult factory. 0-10V dimming available with 10-100% range and 1-100% range. Must specify dimming under options.

FASTENERS: Tamper resistant countersunk, flat head Torx screws with center pin reject.

FINISH: White powder coat finish following multistage iron phosphate pre-treatment.

GASKET: Black neoprene gasket around interior door frame to prevent light leaks.



APPLICATIONS: Ligature resistant for Behavioral Health Settings or areas where ligature is a concern, Correctional, Detention Centers, High Abuse, Minimum/Maximum Security, Public Areas, Public Housing, Warehouses, and more.

MOUNTING: Flange installation with adjustable 90° swing arm system standard.

LABEL: Fixture is certified to UL standards.



ORDERING INFORMATION

Example: 57M11-B/B-L1401C-A/A-UN

SERIES	MOUNTING	SIZE	HOUSING	FRAME	LUMEN OUTPUT*
57	M	11			
	M = Flange	11 = 1x1	B = 14Ga. CRS Painted C = 16Ga. CRS Painted D = 18Ga. CRS Painted E = 14Ga. SS Mill Finish F = 16Ga. SS Mill Finish G = 18Ga. SS Mill Finish H = 14Ga. SS Painted J = 16Ga. SS Painted K = 18Ga. SS Painted	A = 12Ga. CRS Painted B = 14Ga. CRS Painted C = 16Ga. CRS Painted E = 14Ga. SS Brushed F = 16Ga. SS Brushed H = 14Ga. SS Painted J = 16Ga. SS Painted	L1 = Standard L2 = High *Subject to change. Performance Data on Page 2

*Nominal Size. Dimensional Data on Page 2

LAMP TYPE	CIRCUITS	OUTER LENS	INNER LENS	VOLTAGE	OPTIONS
35 = 3500K 40 = 4000K 50 = 5000K	1C = 1 Circuit 2C = 2 Circuits	0 = No Lens A = .125 Clear Poly. B = .156 Clear Poly. 1 = .187 Clear Poly. 2 = .250 Clear Poly. 3 = .375 Clear Poly. 4 = .500 Clear Poly. 5 = .187 Clear Temp Glass 6 = .250 Clear Temp Glass 7 = .375 Clear Temp Glass* 8 = .500 Clear Temp Glass* 9 = .750 Clear Temp Glass*	A = .125 Prismatic Acrylic B = .125 Prismatic Poly. C = .156 Prismatic Poly. D = .187 Prismatic Poly. E = .156 Prismatic Temp Glass F = .156 Prismatic Acrylic G = .140 DR Acrylic LC3 = .125 White Frosted Poly.	12 = 120V 27 = 277V 34 = 347V UN = Universal (120V-277V)	FZ = Fuse* DM = 0-10V dimming with 10-100% range DM1 = 0-10V dimming with 1-100% range LN = LED Night Light** EL1 = Emerg. Bat. LED Low (Remote)*** UV = .005 UV Absorbing Overlay AH = Allen Head screws with center pin reject * Cannot use with UN voltage ** Integrated switch allows light levels at 100%, 70%, 40% and 10%. *** If stored, batteries should be fully recharged every six months and kept between 0°C-25°C to maintain optimal battery capacity.

*Must use with 12Ga. 14Ga Frame

57M11 LED

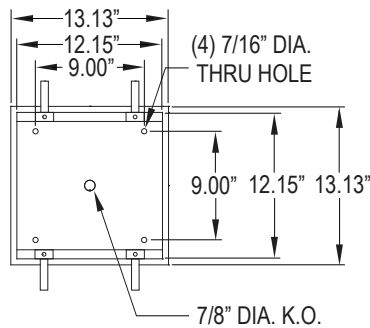
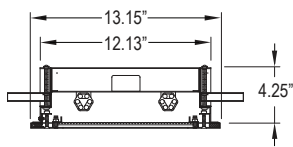
57M11



PERFORMANCE DATA*

MODEL	OUTPUT	LAMP TYPE	LUMENS DELIVERED	EFFICACY (lm/W)	INPUT POWER (W)
57M11	Standard	3500K	1438	115	12.5
		4000K	1500	120	12.5
		5000K	1562	1250	12.5
	High	3500K	2090	105	20
		4000K	2185	109	20
		5000K	2280	114	20

DIMENSIONAL DATA



CEILING CUT-OUT: 12-3/8" x 12-3/8"