

57R SERIES

57R12/57R14/57R22/57R24

FEATURES:

- Intended for Minimum to Maximum Correctional, Healthcare Settings, Public Housing, Transportation, Detention Centers, Athletic Facilities, and more
- Available in 1x2, 1x4, 2x2, 2x4
- Recessed ceiling mount; grid or flange
- Incorporates a removable reflector unitized with all electrical components for easy installation and maintenance
- Lens secured by “Z” retainers with welded studs spaced six inches apart for maximum strength
- This product was Made in America and complies with the Buy American Act requirements



57R24

RELATED PRODUCTS:

[57R24 Quick Ship Ordering Options](#)



SPECIFICATIONS

HOUSING: Die formed, seam welded, and ground smooth cold rolled steel or stainless steel housing (specify gauge). Incorporates a removable reflector unitized with all electrical components for easy installation and maintenance.

FRAME: Die formed one-piece frame with tightly closed corners available in cold rolled steel or stainless steel.

HINGE: 16 gauge full length continuous, staked piano hinge, with welded ends to prevent removal (material to match housing).

LENS: Lens per specification (see options) and secured by “Z” retainers with welded studs spaced six inches apart for maximum strength.

LED: Available in three color temperatures 3500°K, 4000°K and 5000°K with maximum 3-step MacAdam variation allowance. Other color temperatures available, consult factory. Minimum 80 CRI standard.

ELECTRICAL: 0-10V dimming available with 10-100% range and 1-100% range. Must specify dimming under options.

FASTENERS: Tamper resistant countersunk flat head Torx screws with center pin reject.

FINISH: White powder coat finish following multistage iron phosphate pretreatment.

GASKET: Black neoprene gasket around interior door frame to prevent light leaks.

INSTALLATION: Recessed mounting accommodates Grid and Flange installations. Recessed fixtures will be supplied with adjustable swing arms that can be used for Flange applications or taped to the side for Grid applications. Recessed install compatible with 1-1/2” and 15/16” Grid systems. Mounting for custom ceilings available, consult factory.

WARRANTY: [New Star Promise](#). Limited five (5) year warranty.

LABEL: Fixture is certified to UL standards for Damp Location. Optional Wet Location (under covered ceiling).

This product was Made in America and complies with the Buy American Act requirements. Specifications and dimensions are subject to change without notice. For additional options and dimensional details, please consult your New Star Lighting representative.

57R SERIES

57R12/57R14/57R22/57R24

ORDERING INFORMATION

EXAMPLE: 57R12-A/A-L2401C-A/B-UN

SERIES	MOUNTING	SIZE*	HOUSING	FRAME	LUMEN OUTPUT*	COLOR TEMP.
57	R R = Recessed (Grid/Flange)	12 = 1x2	A = 12Ga. CRS Painted	A = 12Ga. CRS Painted	57R12-14:	35 = 3500°K
		14 = 1x4	B = 14Ga. CRS Painted	B = 14Ga. CRS Painted	L2 = Low	40 = 4000°K
		22 = 2x2	C = 16Ga. CRS Painted	C = 16Ga. CRS Painted	L3 = High	50 = 5000°K
		24 = 2x4	D = 18Ga. CRS Painted	E = 14Ga. SS Brushed	CL = Custom Lumen Output**	
			E = 14Ga. SS Brushed	F = 16Ga. SS Brushed	57R22-24:	
			F = 16Ga. SS Brushed	H = 14Ga. SS Painted	L2 = Low	
			G = 18Ga. SS Brushed	J = 16Ga. SS Painted	L4 = Standard	
			H = 14Ga. SS Painted		L6 = Medium	
			J = 16Ga. SS Painted		L8 = High	
			K = 18Ga. SS Painted		CL = Custom Lumen Output**	

*Nominal Size.
Dimensional Data
on page 4.

*Subject to change. Performance Data
on page 3.

** Must be specified at time of quote.
Must not exceed fixture maximum
output. Must specify "DM1" if selecting
dimming.

CIRCUITS	OUTER LENS	INNER LENS	VOLTAGE	OPTIONS
1C = 1 Circuit	0 = No Lens	A = .125 Prismatic Acrylic	12 = 120V	FZ1 = Fuse (120V)
2C = 2 Circuits*	A = .125 Clear Poly.	B = .125 Prismatic Poly.	27 = 277V	FZ2 = Fuse (277V)
	B = .156 Clear Poly.	C = .156 Prismatic Poly.	34 = 347V	DM = 0-10V dimming with 10-100% range
*Allows for Inboard/ Outboard control.	1 = .187 Clear Poly.	D = .187 Prismatic Poly.	UN = Universal (120V-277V)	DM1 = 0-10V dimming with 1-100% range
	2 = .250 Clear Poly.	E = .156 Prismatic Temp Glass		LN = LED Night Light*
	3 = .375 Clear Poly.	F = .156 Prismatic Acrylic		EL1 = Emerg. Bat. LED Low (10W)
	4 = .500 Clear Poly.	G = .140 Prismatic DR Acrylic		EL2 = Emerg. Bat. LED High (20W)
	5 = .187 Clear Temp Glass	H = .125 White Frost Acrylic		AH = Allen Head screws with center pin reject
	6 = .250 Clear Temp Glass	LC3 = .125 White Frost Poly.		WL = Wet Location (under covered ceiling)
	7 = .375 Clear Temp Glass*			AM = Antimicrobial finish on exposed surfaces
	8 = .500 Clear Temp Glass*			
	9 = .750 Clear Temp Glass*			
	*Must use with 12Ga. 14Ga Frame.			*3500°K non-dimming Night Light with integrated switch allows light levels at 100%, 70%, 40% and 10%.

This product was Made in America and complies with the Buy American Act requirements. Specifications and dimensions are subject to change without notice. For additional options and dimensional details, please consult your New Star Lighting representative.

57R SERIES

57R12/57R14/57R22/57R24



PERFORMANCE DATA*

*Data is with 80 CRI chip. LEDs are frequently updated therefore values may change without notice.

MODEL	OUTPUT	COLOR TEMP.	LUMENS DELIVERED	EFFICACY (lm/W)	INPUT POWER (W)
57R12	L2 = Low	3500°K	2875	115	25
		4000°K	3000	120	25
		5000°K	3125	125	25
	L3 = High	3500°K	4180	110	38
		4000°K	4370	115	38
		5000°K	4560	120	38
57R14	L2 = Low	3500°K	5750	115	50
		4000°K	6000	120	50
		5000°K	6250	125	50
	L3 = High	3500°K	8250	110	75
		4000°K	8625	115	75
		5000°K	9000	120	75
57R22	L2 = Low	3500°K	3000	120	25
		4000°K	3125	125	25
		5000°K	3250	130	25
	L4 = Standard	3500°K	6000	120	50
		4000°K	6250	125	50
		5000°K	6500	130	50
	L6 = Medium	3500°K	8625	115	75
		4000°K	9000	120	75
		5000°K	9375	125	75
	L8 = High	3500°K	11500	115	100
		4000°K	12000	120	100
		5000°K	12500	125	100
57R24	L2 = Low	3500°K	6000	120	50
		4000°K	6250	125	50
		5000°K	6500	130	50
	L4 = Standard	3500°K	12000	120	100
		4000°K	12500	125	100
		5000°K	13000	130	100
	L6 = Medium	3500°K	17250	115	150
		4000°K	18000	120	150
		5000°K	18750	125	150
	L8 = High	3500°K	23000	115	200
		4000°K	24000	120	200
		5000°K	25000	125	200

This product was Made in America and complies with the Buy American Act requirements. Specifications and dimensions are subject to change without notice. For additional options and dimensional details, please consult your New Star Lighting representative.

57R SERIES

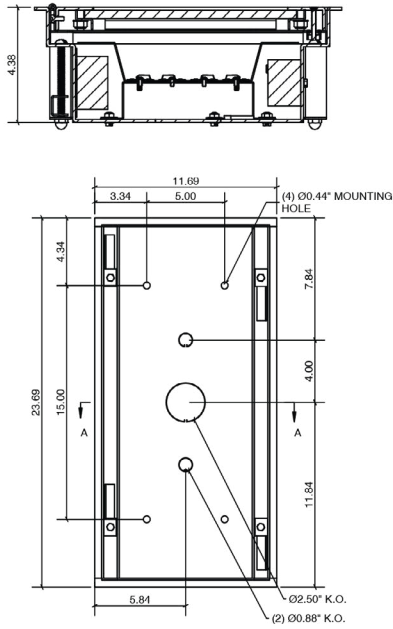
57R12/57R14/57R22/57R24



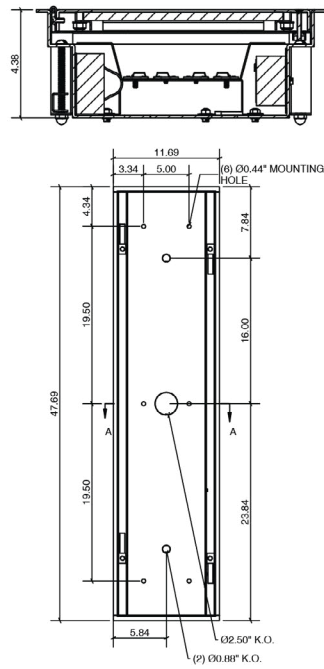
DIMENSIONAL DATA

Cut-out dimensions for flange installations: 1x2: 11.00" x 23.00". 1x4: 11.00" x 47.00". 2x2: 23.00" x 23.00". 2x4: 23.00" x 47.00".

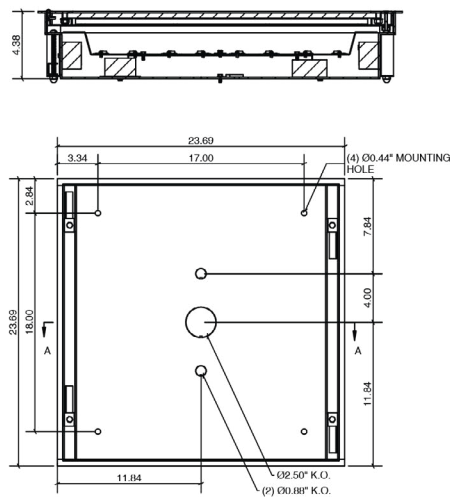
57R12



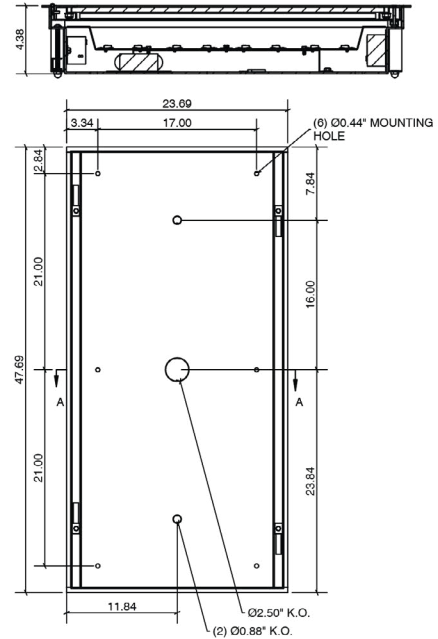
57R14



57R22



57R24



This product was Made in America and complies with the Buy American Act requirements. Specifications and dimensions are subject to change without notice. For additional options and dimensional details, please consult your New Star Lighting representative.