



# 57S Series Installation Instructions

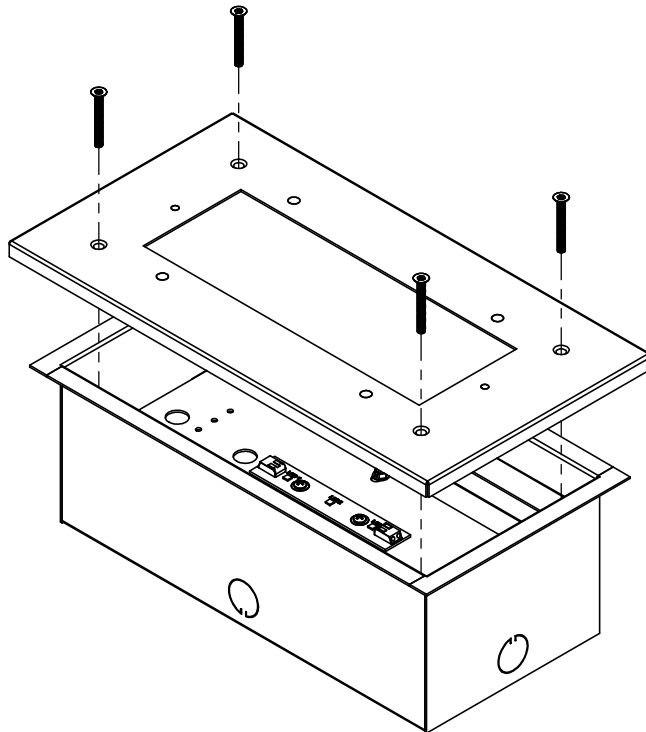
2225 W Pershing Rd. Chicago, IL 60609 - 773.847.1400 - [www.newstarlighting.com](http://www.newstarlighting.com)

## IMPORTANT SAFE GUARDS:

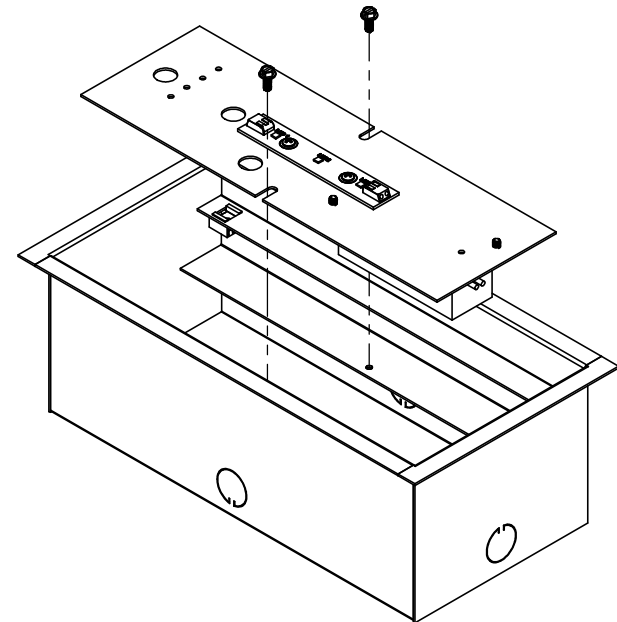
- THIS PRODUCT MUST BE INSTALLED IN ACCORDANCE WITH THE APPLICABLE INSTALLATION CODE BY A PERSON FAMILIAR WITH THE CONSTRUCTION AND OPERATION OF THE PRODUCT AND THE HAZARDS INVOLVED.
- DISCONNECT POWER BEFORE BEGINNING INSTALLATION.
- FIXTURE MUST BE INSTALLED IN COMPLIANCE WITH THE NATIONAL ELECTRIC CODE AND ANY LOCAL CODES.
- TO BE INSTALLED ONLY BY A QUALIFIED ELECTRICIAN.
- PROPER GROUNDING IS REQUIRED TO INSURE PERSONAL SAFETY.
- READ ALL FIXTURE MARKINGS AND LABELS TO ENSURE CORRECT INSTALLATION OF FIXTURE.
- RISK OF FIRE, USE A MINIMUM OF 90C SUPPLY CONNECTORS.

## INSTALLATION INSTRUCTIONS:

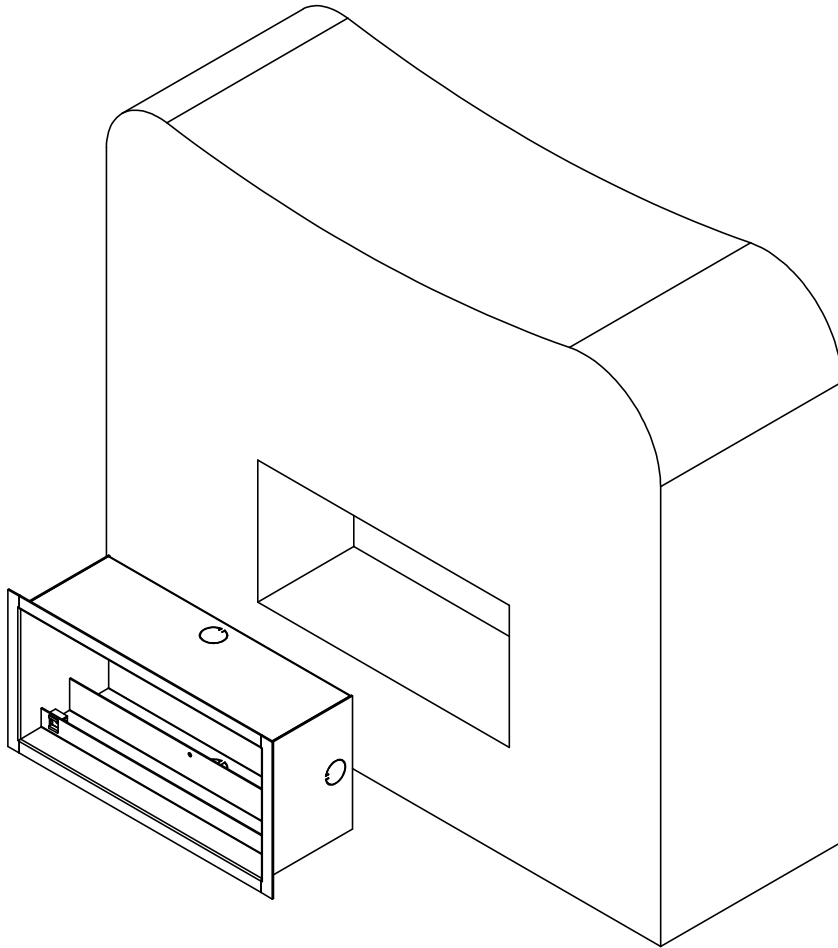
1. Remove frame fasteners.



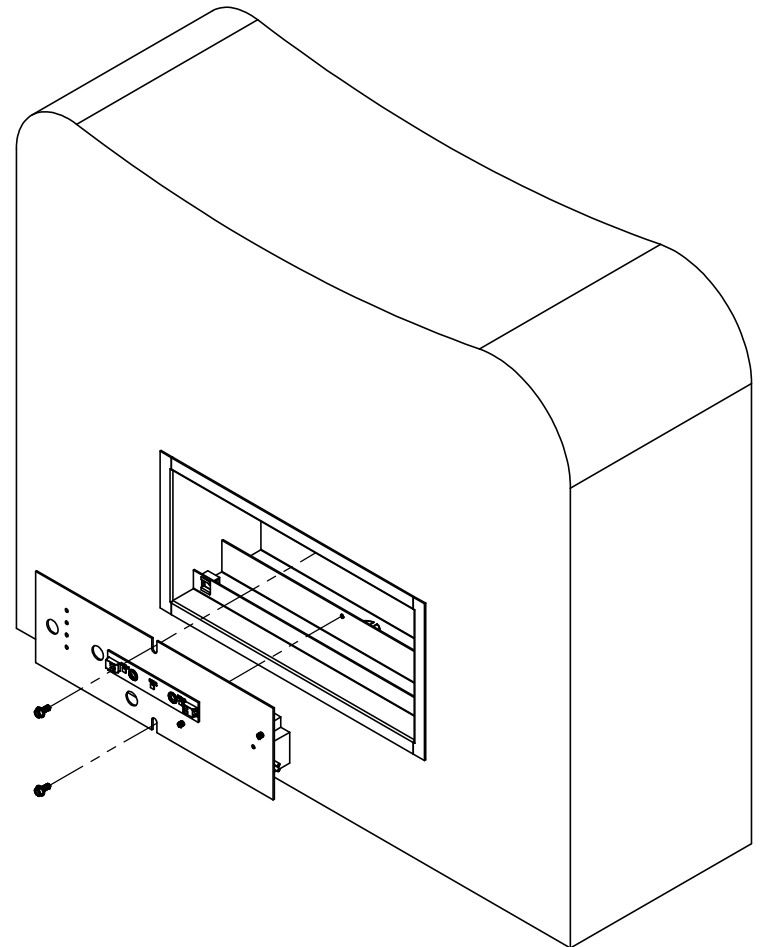
2. Remove LED gear tray.



3. Make necessary electrical connections and place housing inside wall. Secure fixture, if necessary, using proper mounting hardware (by others).



4. Re-attach LED gear tray.



4. Re-attach frame.

