

AURAMED CLASSIC MRI SERIES

AACM22/AACM24

FEATURES

- Intended for MRI Suites
- Non-ferromagnetic construction for MRI equipment
- Optional doorframe and lens provides a flat wipe-down surface for easy cleaning
- Provides glare-free direct ambient lighting
- Grid or Flange installation. Flange installation uses yoke mounting kit (provided)
- This product was Made in America and complies with the Buy American Act requirements

RELATED PRODUCTS:

- [AuraMed Contempo MRI Series \(AAOM\)](#)
- [AuraMed Classic Series \(AAC\)](#)
- [AuraMed Classic Multi-Function Series \(AACH\)](#)



AACM24
(Photo shows AACM without doorframe. Damp location rated)



SPECIFICATIONS

HOUSING: Fabricated 16 gauge aluminum housing. Non-ferromagnetic material content for MRI compatibility.

FRAME: Optional die formed aluminum doorframe. Black neoprene gasket between the housing and doorframe.

LENS: Extruded white lens (smooth side out). Unique clip design allows for tool-free lens removal for ease of maintenance. Optional doorframe is available with a clear polycarbonate or acrylic lens to provide a flat wipe-down surface for easy cleaning.

LED: LED sources available in four color temperatures 3000°K, 3500°K, 4000°K and 5000°K with maximum 3-step MacAdam variation allowance. Other color temperatures available, consult factory. Minimum 80 CRI standard with optional minimum 90 CRI available.

ELECTRICAL: 0-10V dimming driver supplied with fixtures in a remote enclosure. Must order power enclosure separately on Page 2. The power enclosure is fabricated galvanized steel, consult factory for dimensional data. The enclosure must be installed outside the shielded MRI environment. It contains ferrous components that can damage or interfere with MRI equipment. All power and dimming wires must be completely shielded in grounded conduit, by others. Proper filtration components are required, sold by others. Consult factory for more information.

FASTENERS: 316 stainless steel Philips flat head screws with captive sage nuts. Finish to match doorframe.

FINISH: Matte white antimicrobial powder coat finish following multistage iron phosphate pre-treatment on all exposed room-side surfaces.

INSTALLATION: Grid or Flange installation. Grid installation compatible with 1-1/2" and 15/16" Grid systems. Flange installation uses yoke mounting kit (provided). Mounting for custom ceilings available, consult factory.

WARRANTY: Limited five (5) year warranty.

LABEL: Fixture is certified to UL standards by Intertek Testing Laboratories for Wet Location (under covered ceiling) when a doorframe is used.

AURAMED CLASSIC MRI SERIES

AACM22/AACM24

ORDERING INFORMATION

EXAMPLE: AACMG22-HA16-OA16/CA14-L3401C-RW-UN

SERIES	MOUNTING	SIZE*	HOUSING	OPTIONAL FRAME
AACM			HA16	

*Remote drivers supplied in Enclosure. Requires proper filter components supplied by others. Consult factory for additional information.

G = Grid
F = Flange

22 = 2x2
24 = 2x4

HA16 = 16Ga. Alum. Painted

Blank = No Frame*
OA16 = Overlap 16Ga. Alum. Painted
IA16 = Inset 16Ga. Alum. Painted

*Nominal Size.
Dimensional Data on Page 4.

*If no frame is specified, do not select a frame lens.
Damp location rated without a doorframe.

FRAME LENS	LUMEN OUTPUT*	COLOR TEMP.	CIRCUITS	DIFFUSER
			1C	RW

Blank = No Frame Lens*
CP12 = .125 Clear Poly.
CA12 = .125 Clear Acrylic
CP18 = .187 Clear Poly.
CA18 = .187 Clear Acrylic

L2 = Low
L3 = Standard
L4 = High
CL = Custom Lumen Output**

30 = 3000°K
35 = 3500°K
40 = 4000°K
50 = 5000°K

1C = 1 Circuit RW = White Polycarbonate

*If no frame is specified, do not select a frame lens.

*Subject to change. Performance Data on Page 3.
** Must be specified at time of quote. Must not exceed fixture maximum output.

VOLTAGE	OPTIONS	ACCESSORY

12 = 120V 90C = 90CRI PF = Plaster Frame Kit
 27 = 277V Consult factory for details.
 UN = Universal
 (120V-277V)

POWER ENCLOSURE ORDERING INFORMATION

EXAMPLE: AACM22-PS-L2-1-DM

SERIES	SIZE	LUMEN OUTPUT	DRIVERS PER FIXTURE*	OPTIONS
AACM		PS		

22 = 2x2
24 = 2x4

PS = Power Enclosure*
*Up to 8 drivers can be in a Power Enclosure depending on quantity of fixtures ordered. Consult factory for custom configurations. Configuration must be determined at time of order.

L2 = Low
L3 = Standard
L4 = High
CL = Custom Lumen Output

*Please refer to chart on Page 3. Requires proper filtration components, by others. Each driver requires a filter.

DM = 0-10V dimming with 10-100% range
DM1 = 0-10V dimming with 1-100% range

This product was Made in America and complies with the Buy American Act requirements. Specifications and dimensions are subject to change without notice. For additional options and dimensional details, please consult your New Star Lighting representative.

AURAMED CLASSIC MRI SERIES

AACM22/AACM24



POWER ENCLOSURE: NUMBER OF DRIVERS PER FIXTURE

SERIES	SIZE	LUMEN OUTPUT	NUMBER OF DRIVERS PER FIXTURE
AACM	22 = 2x2	L2 = Low	1
		L3 = Standard	1
		L4 = High	1
	24 = 2x4	L2 = Low	1
		L3 = Standard	2
		L4 = High	2

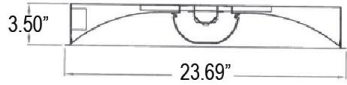
PERFORMANCE DATA*

*Data is with 80 CRI chip. If 90 CRI is selected, delivered lumens reduced by 10-15%. LEDs are frequently updated therefore values may change without notice.

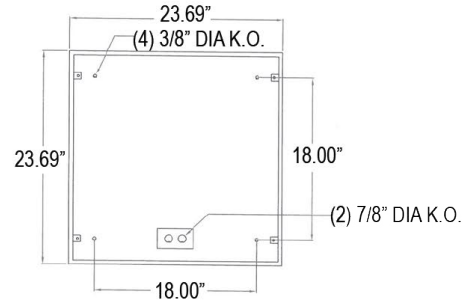
MODEL	OUTPUT	COLOR TEMP.	LUMENS DELIVERED	EFFICACY (lm/W)	INPUT POWER (W)
AACM22	L2 = Low	30 = 3000°K	2550	102	25
		35 = 3500°K	2675	107	25
		40 = 4000°K	2750	110	25
		50 = 5000°K	2825	113	25
	L3 = Standard	30 = 3000°K	3800	100	38
		35 = 3500°K	3990	105	38
		40 = 4000°K	4100	108	38
		50 = 5000°K	4220	111	38
	L4 = High	30 = 3000°K	4900	98	50
		35 = 3500°K	5150	103	50
		40 = 4000°K	5300	106	50
		50 = 5000°K	5450	109	50
AACM24	L2 = Low	30 = 3000°K	5700	114	50
		35 = 3500°K	5950	119	50
		40 = 4000°K	6100	122	50
		50 = 5000°K	6250	125	50
	L3 = Standard	30 = 3000°K	8175	109	75
		35 = 3500°K	8550	114	75
		40 = 4000°K	8775	117	75
		50 = 5000°K	9000	120	75
	L4 = High	30 = 3000°K	11100	111	100
		35 = 3500°K	11600	116	100
		40 = 4000°K	11900	119	100
		50 = 5000°K	12200	122	100

This product was Made in America and complies with the Buy American Act requirements. Specifications and dimensions are subject to change without notice. For additional options and dimensional details, please consult your New Star Lighting representative.

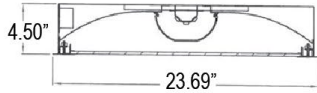
DIMENSIONAL DATA



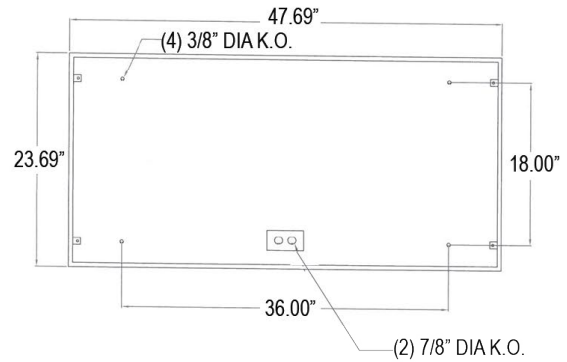
Cross Section Without Door



AAC22 Backview



Cross Section With Door



AAC24 Backview

This product was Made in America and complies with the Buy American Act requirements. Specifications and dimensions are subject to change without notice. For additional options and dimensional details, please consult your New Star Lighting representative.