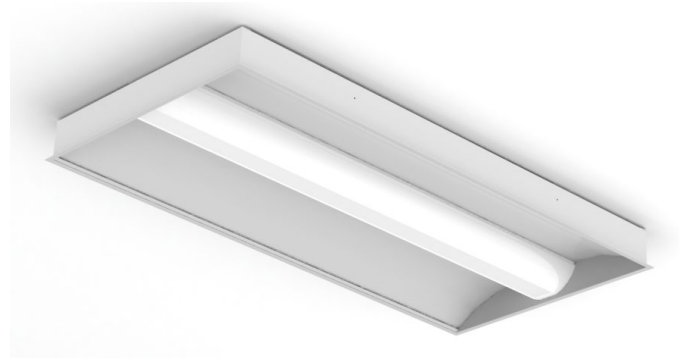


## AURAMED CLASSIC SERIES

AAC22/AAC24

### FEATURES

- Intended for Healthcare Settings, Commercial Settings, Office Spaces, Schools/Universities, and more
- Provides glare-free direct ambient lighting
- Unique clip design allows for a tool-free lens removal for ease of maintenance
- Optional doorframe and lens provides a flat wipe-down surface for easy cleaning
- Grid or Flange installation. Flange installation uses yoke mounting kit (provided)
- This product was Made in America and complies with the Buy American Act requirements



AAC24  
(Photo shows AAC without doorframe. Damp location rated)



### RELATED PRODUCTS:

- [AuraMed Contempo Series - without doorframe \(AAO\)](#)
- [AuraMed Classic MRI Series \(AACM\)](#)
- [AuraMed Classic Multi-Function Series \(AACH\)](#)

### SPECIFICATIONS

**HOUSING:** Fabricated 20 gauge formed cold rolled steel or 16 gauge aluminum housing with continuous seam welds.

**FRAME:** Optional die formed cold rolled steel or aluminum doorframe. Black neoprene gasket between the housing and doorframe.

**LENS:** Extruded white (recommended) or clear polycarbonate lens (smooth side out). Unique clip design allows for tool-free lens removal for ease of maintenance. Optional doorframe is available with a clear polycarbonate or acrylic lens to provide a flat wipe-down surface for easy cleaning.

**LED:** LED sources available in four color temperatures 3000°K, 3500°K, 4000°K and 5000°K with maximum 3-step MacAdam variation allowance. Other color temperatures available, consult factory. Minimum 80 CRI standard with optional minimum 90 CRI available.

**ELECTRICAL:** 0-10V dimming driver available with 10-100% range and 1-100% range. Must specify dimming under options.

**FASTENERS:** Stainless steel Philips flat head screws with captive cage nuts.

**FINISH:** Matte white powder coat finish following multistage iron phosphate pre-treatment. Optional antimicrobial paint on exposed room-side surfaces.

**INSTALLATION:** Grid or Flange installation. Grid installation compatible with 1-1/2" and 15/16" Grid systems. Flange installation uses yoke mounting kit (provided). Mounting for custom ceilings available, consult factory.

**WARRANTY:** Limited five (5) year warranty.

**LABEL:** Fixture is certified to UL standards by Intertek Testing Laboratories for Wet Location (under covered ceiling) when a doorframe is used.

This product was Made in America and complies with the Buy American Act requirements. Specifications and dimensions are subject to change without notice. For additional options and dimensional details, please consult your New Star Lighting representative.

# AURAMED CLASSIC SERIES

## AAC22/AAC24

### ORDERING INFORMATION

EXAMPLE: AACG22-HC20-OC18/CPI2-L3402C-RW-UN

SERIES	MOUNTING	SIZE*	HOUSING	OPTIONAL FRAME
<b>AAC</b>				
	G = Grid	22 = 2x2	HC20 = 20Ga. CRS Painted	Blank = No Frame*
	F = Flange	24 = 2x4	HA16 = 16Ga. Alum. Painted	OC18 = Overlap 18Ga. CRS Painted OA16 = Overlap 16Ga. Alum. Painted IC20 = Inset 20Ga. CRS Painted IA16 = Inset 16Ga. Alum. Painted

\*Nominal Size. Dimensional Data on Page 4.

\*If no frame is specified, do not select a frame lens.  
 Damp location rated without a doorframe.

FRAME LENS	LUMEN OUTPUT*	COLOR TEMP.	CIRCUITS	DIFFUSER
Blank = No Frame Lens*	L2 = Low	30 = 3000°K	1C = 1 Circuit	RW = White Polycarbonate
CPI2 = .125 Clear Poly.	L3 = Standard	35 = 3500°K	2C = 2 Circuits*	RC = Clear Polycarbonate
CA12 = .125 Clear Acrylic	L4 = High	40 = 4000°K		
CPI8 = .187 Clear Poly.	CL = Custom Lumen Output**	50 = 5000°K	*Refers to inboard/ outboard wiring.	
CA18 = .187 Clear Acrylic				

\*Subject to change. Performance Data on Page 3.  
 \*\* Must be specified at time of quote.  
 Must not exceed fixture maximum output.

\*If no frame is specified, do not select a frame lens.

VOLTAGE	OPTIONS	ACCESSORY
12 = 120V	DM = 0-10V dimming with 10-100% range	PF = Plaster Frame Kit Consult factory for details.
27 = 277V	DM1 = 0-10V dimming with 1-100% range	
UN = Universal (120V-277V)	FZ1 = Fuse (120V) FZ2 = Fuse (277V) 90C = 90CRI TH = Torx Head Screws (with center pin)* AM = Antimicrobial Finish on all exposed surfaces SD2 = Step Dimming (50-100%) SD3 = Step. Dimming (30-70-100%)	EL1 = Remote Emergency Battery (10W)* EL2 = Remote Emergency Battery (20W)*

\*Only applicable when doorframe is selected

This product was Made in America and complies with the Buy American Act requirements. Specifications and dimensions are subject to change without notice. For additional options and dimensional details, please consult your New Star Lighting representative.

# AURAMED CLASSIC SERIES

## AAC22/AAC24



### PERFORMANCE DATA\*

\* Displayed information is without a doorframe and utilizes the white diffuser. Data is with 80 CRI chip. If 90 CRI is selected, delivered lumens reduced by 10-15%. LEDs are frequently updated therefore values may change without notice.

MODEL	OUTPUT	COLOR TEMP.	LUMENS DELIVERED	EFFICACY (lm/W)	INPUT POWER (W)
AAC22	L2 = Low	30 = 3000°K	2550	102	25
		35 = 3500°K	2675	107	25
		40 = 4000°K	2750	110	25
		50 = 5000°K	2825	113	25
	L3 = Standard	30 = 3000°K	3800	100	38
		35 = 3500°K	3990	105	38
		40 = 4000°K	4100	108	38
		50 = 5000°K	4220	111	38
	L4 = High	30 = 3000°K	4900	98	50
		35 = 3500°K	5150	103	50
		40 = 4000°K	5300	106	50
		50 = 5000°K	5450	109	50
AAC24	L2 = Low	30 = 3000°K	5700	114	50
		35 = 3500°K	5950	119	50
		40 = 4000°K	6100	122	50
		50 = 5000°K	6250	125	50
	L3 = Standard	30 = 3000°K	8175	109	75
		35 = 3500°K	8550	114	75
		40 = 4000°K	8775	117	75
		50 = 5000°K	9000	120	75
	L4 = High	30 = 3000°K	11100	111	100
		35 = 3500°K	11600	116	100
		40 = 4000°K	11900	119	100
		50 = 5000°K	12200	122	100

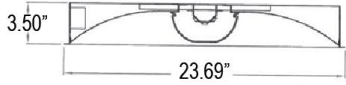
This product was Made in America and complies with the Buy American Act requirements. Specifications and dimensions are subject to change without notice. For additional options and dimensional details, please consult your New Star Lighting representative.

# AURAMED CLASSIC SERIES

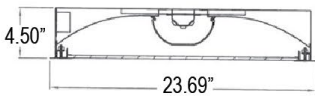
AAC22/AAC24



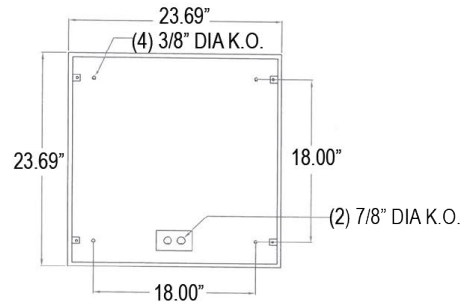
## DIMENSIONAL DATA



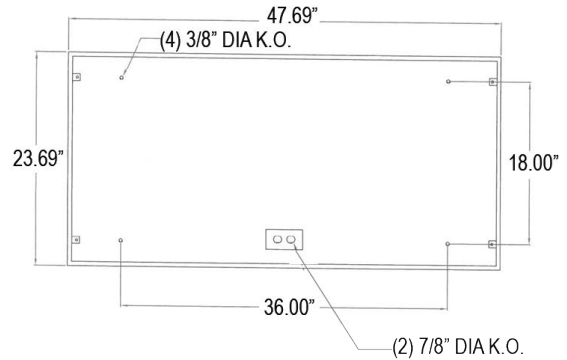
Cross Section Without Door



Cross Section With Door



AAC22 Backview



AAC24 Backview

This product was Made in America and complies with the Buy American Act requirements. Specifications and dimensions are subject to change without notice. For additional options and dimensional details, please consult your New Star Lighting representative.