

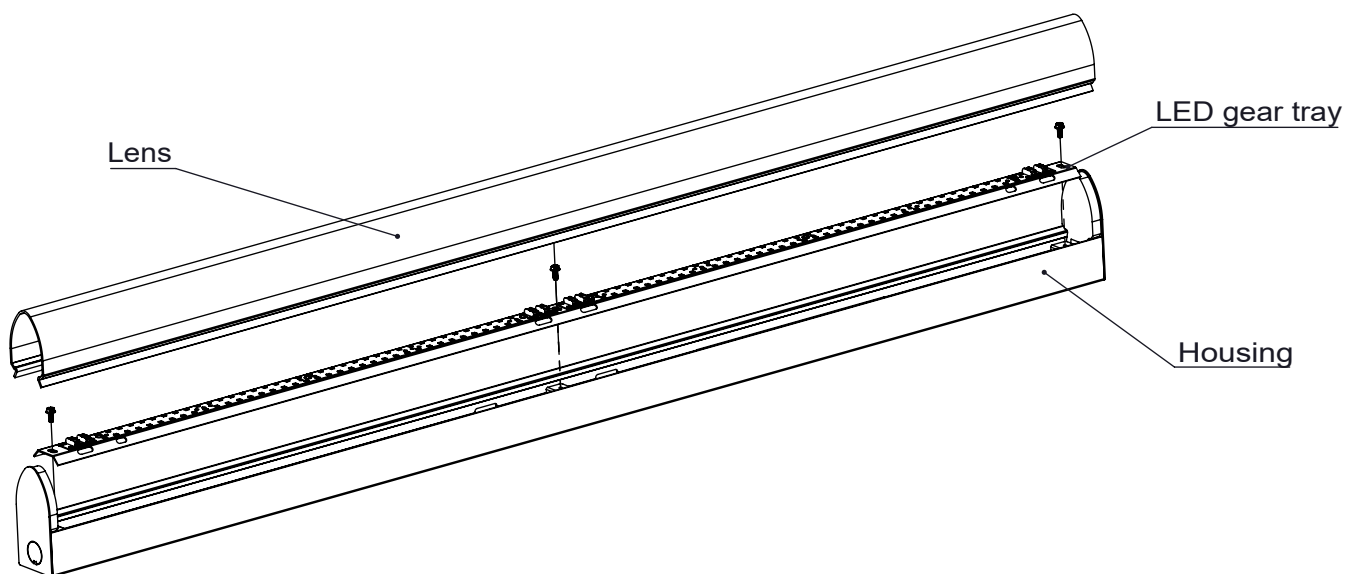
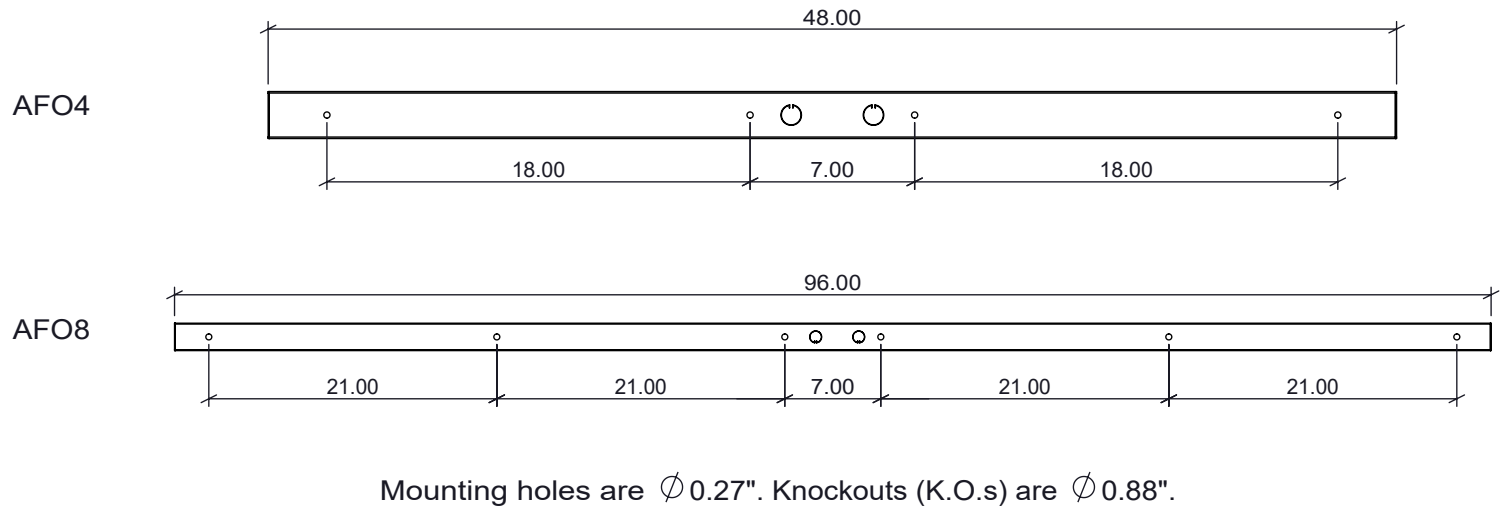
# INSTALLATION INSTRUCTIONS

**Fixture Family:** AFO

**Description:** Teardrop fixture

## IMPORTANT SAFETY INSTRUCTIONS

- This product must be installed in accordance with all applicable installation codes by a person familiar with the construction and operation of the product and the hazards involved.
- Disconnect power before beginning installation.
- Fixture must be installed in compliance with the National Electric Code and any local codes.
- To be installed only by a qualified electrician.
- Proper grounding is required to ensure personal safety.
- Read all fixture markings and labels to ensure correct installation of fixture.
- Risk of fire, use minimum of 90C supply connectors.
- These instructions may not cover all details or variations. If additional information is needed, please contact New Star Lighting.



Installer is responsible for adequately reinforcing walls and/or ceiling to support luminaire weight. These instructions do not claim to cover all details or variations in the equipment, procedure, or process. Specifications and dimensions are subject to change.

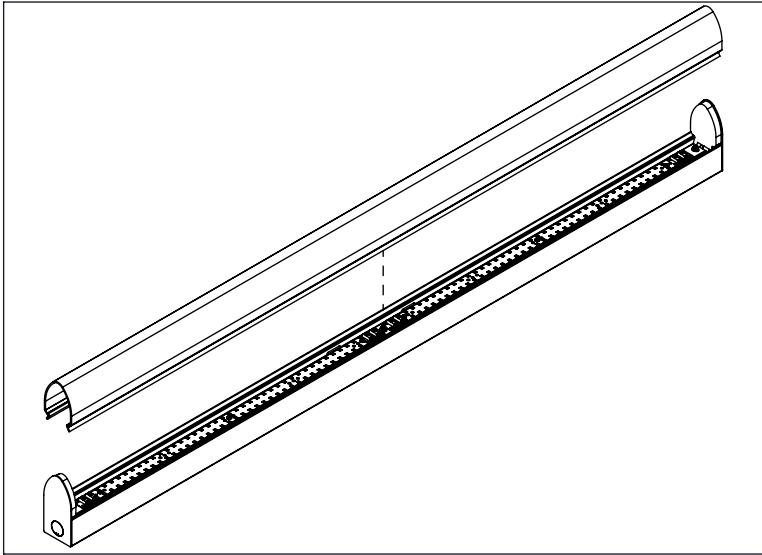


Figure 1

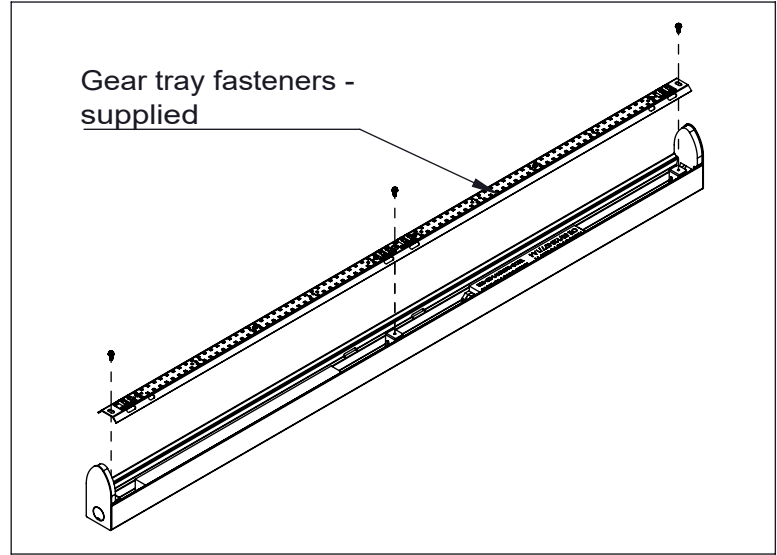


Figure 2

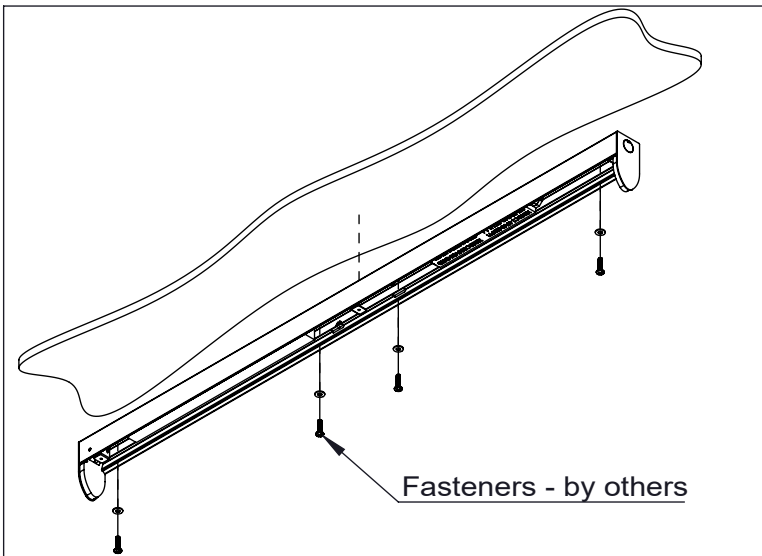


Figure 3

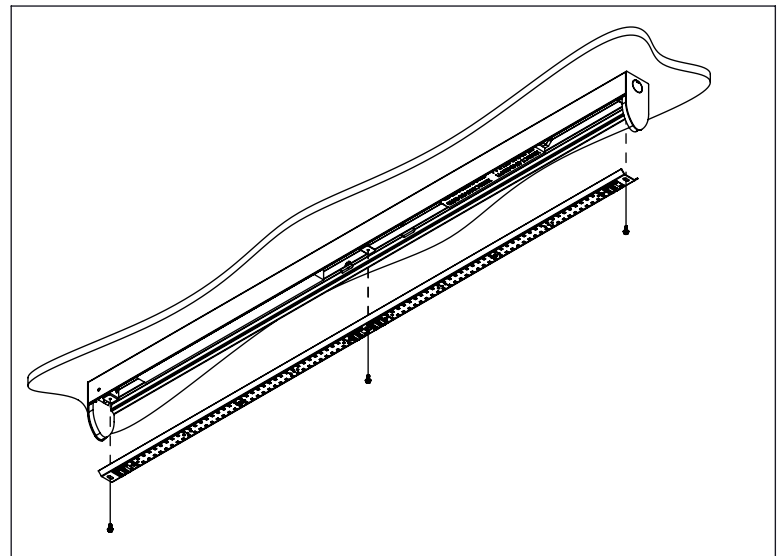


Figure 4

## INSTALLATION STEPS

1. Gently squeeze lens walls together to remove lens from fixture (Fig. 1).
2. Remove LED gear tray (Fig. 2).
3. Install fixture into ceiling (Fig. 3).
4. Make electrical connections, then reinstall LED gear tray (Fig. 4).

Installer is responsible for adequately reinforcing walls and/or ceiling to support luminaire weight. These instructions do not claim to cover all details or variations in the equipment, procedure, or process. Specifications and dimensions are subject to change.

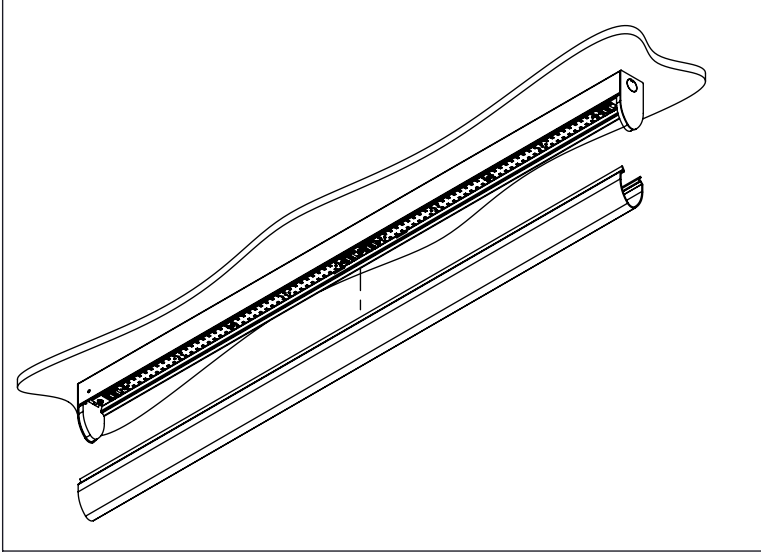


Figure 5

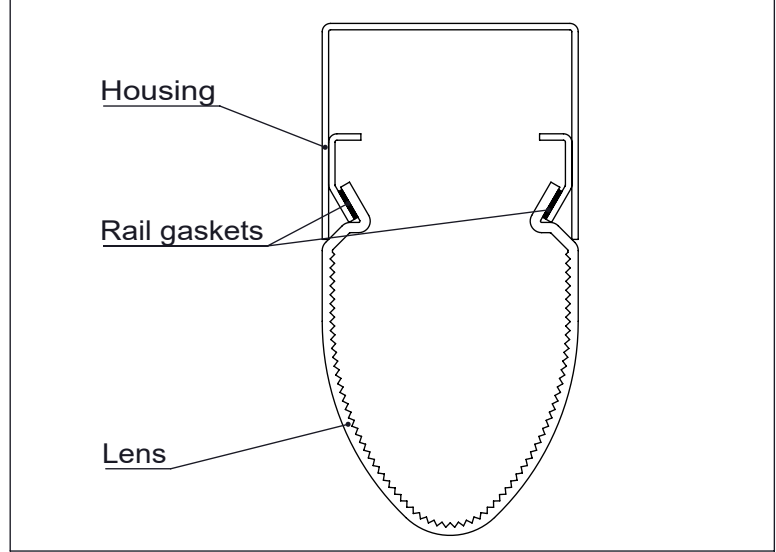


Figure 6

## INSTALLATION STEPS

5. Compress lens walls and reinsert lens (Fig. 5). Ensure that the lens legs are seated properly against the rail gaskets (Fig. 6), and that the end gaskets are compressed uniformly.