

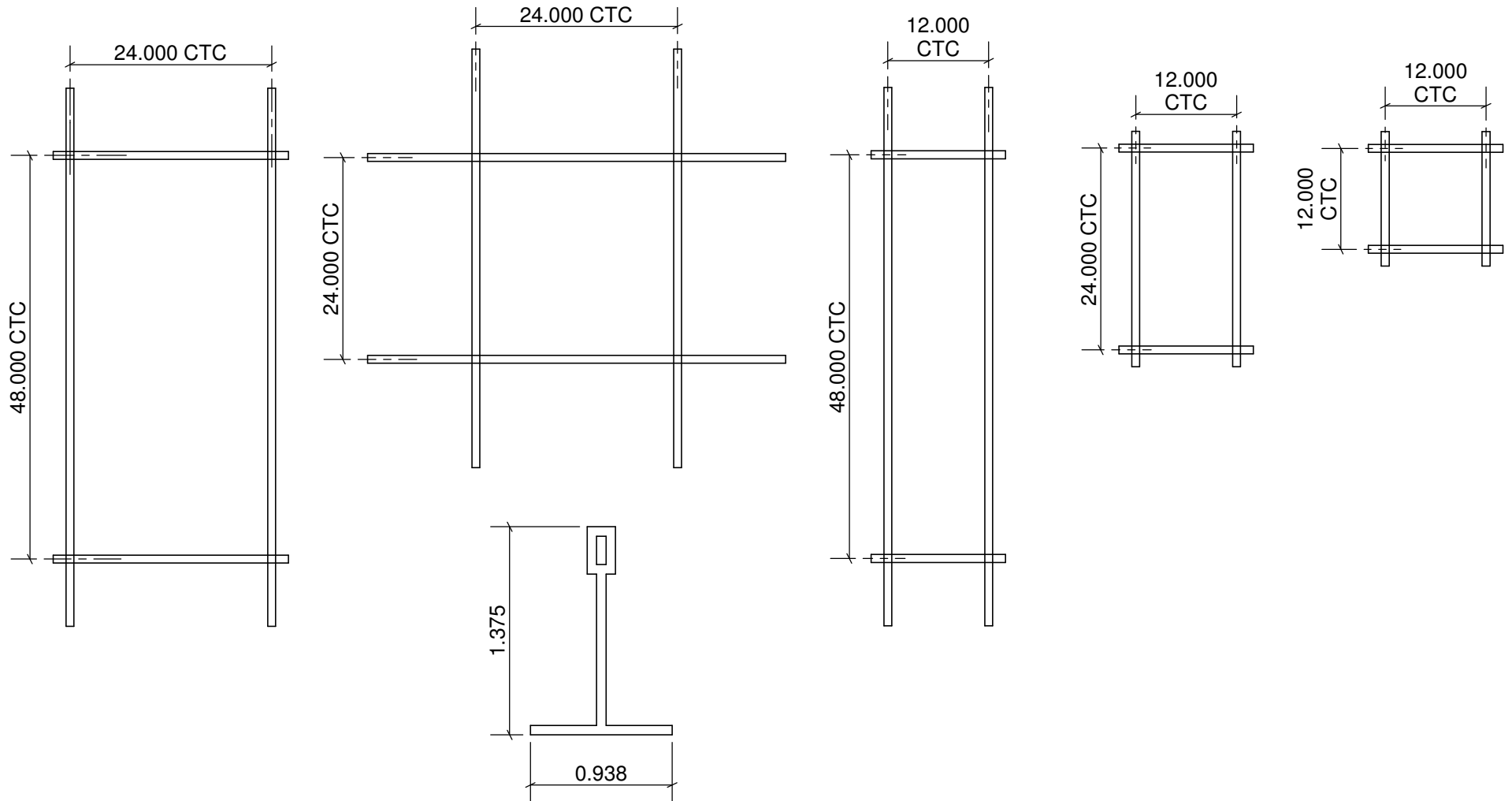


AGG MRI – Series Installation Instructions

2225 W Pershing Rd. Chicago, IL 60609 - 773.847.1400 - www.newstarlighting.com

IMPORTANT SAFE GUARDS:

- THIS PRODUCT MUST BE INSTALLED IN ACCORDANCE WITH THE APPLICABLE INSTALLATION CODE BY A PERSON FAMILIAR WITH THE CONSTRUCTION AND OPERATION OF THE PRODUCT AND THE HAZARDS INVOLVED.
- DISCONNECT POWER BEFORE BEGINNING INSTALLATION.
- FIXTURE MUST BE INSTALLED IN COMPLIANCE WITH THE NATIONAL ELECTRIC CODE AND ANY LOCAL CODES.
- TO BE INSTALLED ONLY BY A QUALIFIED ELECTRICIAN.
- PROPER GROUNDING IS REQUIRED TO INSURE PERSONAL SAFETY.
- READ ALL FIXTURE MARKINGS AND LABELS TO ENSURE CORRECT INSTALLATION OF FIXTURE.
- RISK OF FIRE, USE A MINIMUM OF 90C SUPPLY CONNECTORS.

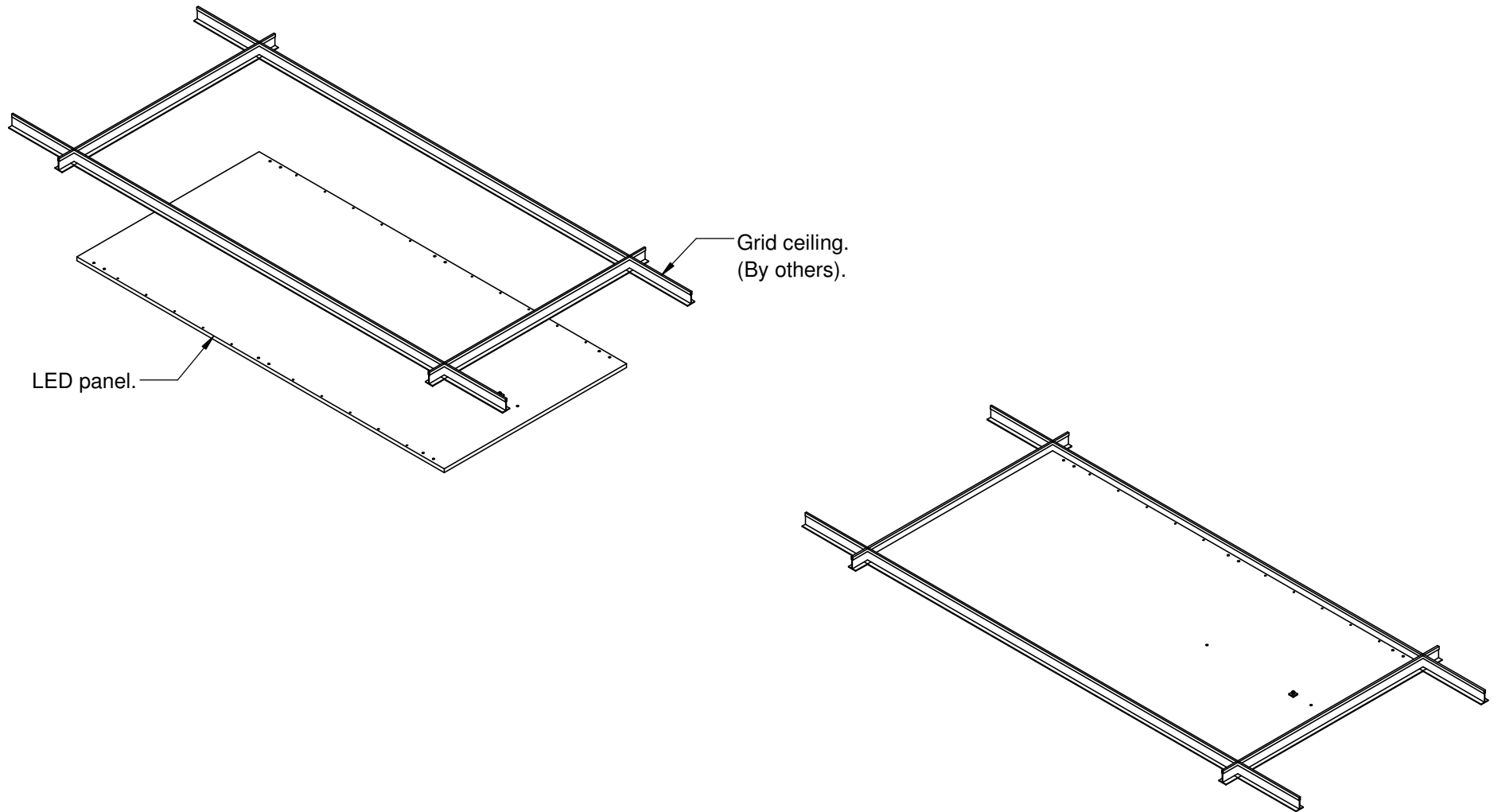


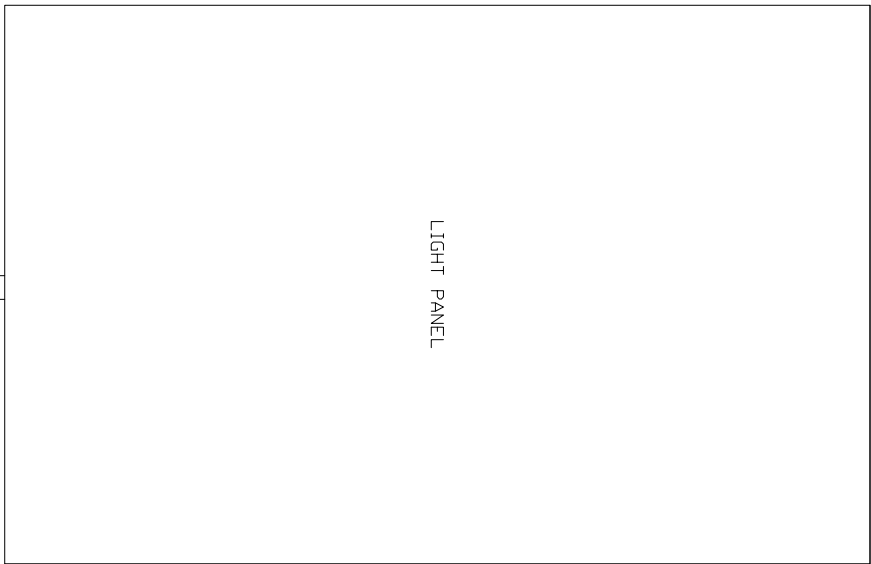


AGG MRI – Series Installation Instructions

2225 W Pershing Rd. Chicago, IL 60609 - 773.847.1400 - www.newstarlighting.com

1. Raise LED panel in to ceiling, make necessary connections and lay in grid.

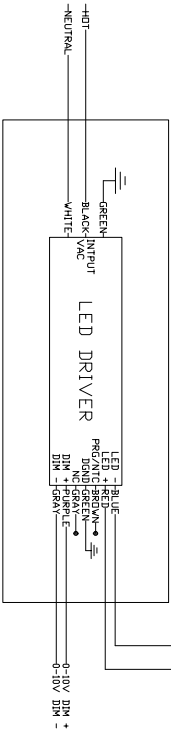




LIGHT PANEL

SHIELDED WIRE
(BY OTHERS)

MRI FILTER
(BY OTHERS)



MRI IMAGING ROOM
SHIELDED
EQUIPMENT ROOM
UNSHIELDED

DISCONNECT POWER BEFORE BEGINNING INSTALLATION.

FIXTURE MUST BE INSTALLED IN COMPLIANCE WITH THE NATIONAL ELECTRIC CODE AND ANY LOCAL CODES. TO BE INSTALLED ONLY BY A QUALIFIED ELECTRICIAN. PROPER GROUNDING IS REQUIRED TO INSURE PERSONAL SAFETY. READ ALL FIXTURE MARKINGS AND LABELS TO ENSURE CORRECT INSTALLATION OF FIXTURE.
RISK OF FIRE. USE A MINIMUM OF 90C SUPPLY CONNECTORS.



DESCRIPTION:

TYPICAL MRI LAYOUT

NAME	DATE
DRAWN CS	1/28/20
CHECKED RM	1/28/20

UNLESS OTHERWISE SPECIFIED: 120/277 VAC

50/60hz

DWG. NO: WD-571

SHEET 1 of 1