

ADLER DOS SERIES LED

ADLLP

SPECIFICATION FEATURES

HOUSING: Precision die-formed seam welded marine-grade aluminum. Integral heat shield and heat sinks for optimal performance.

DOOR FRAME: Precision die-formed seam welded marine-grade aluminum to match housing. Frame fastened to housing via tamper resistant screws.

REFLECTOR: Die formed with high reflectance, white powder coat finish.

LENS: High impact UV-resistant polycarbonate lens to provide maximum light distribution. Lens fastened to door.

ELECTRICAL: Long lasting LED module available in three color temperatures 3000°K, 4000°K and 5000°K. Minimum 80 CRI. 120-277V driver standard. Standard 20KV/KA Surge Suppressor.

J-BOX: Standard aluminum sealed JBox mounted outside of fixture for ease of connection. Provided with 1"-1 1/2 NPT entry. Optional 3/4-14 NPT entry.

FASTENERS: Tamper resistant torx head fastener with center pin reject secures door frame to housing.

FINISH: Grey polyester powder coat finish 5-step pre-treatment.

GASKET: Closed cell silicone gaskets prevent air contaminations from entering the fixture.



Weight: 19lbs.

APPLICATIONS: Transportation settings, underpasses, viaducts, tunnels, platforms, and more.

MOUNTING: Utilizes two adjustable trunnion type brackets for Wall Pack installation. Brackets can be positioned up to 90 degrees in either direction from the horizontal for easy movability.

LABEL: Fixture is certified to UL standards by Intertek Testing Laboratories for Wet Location.



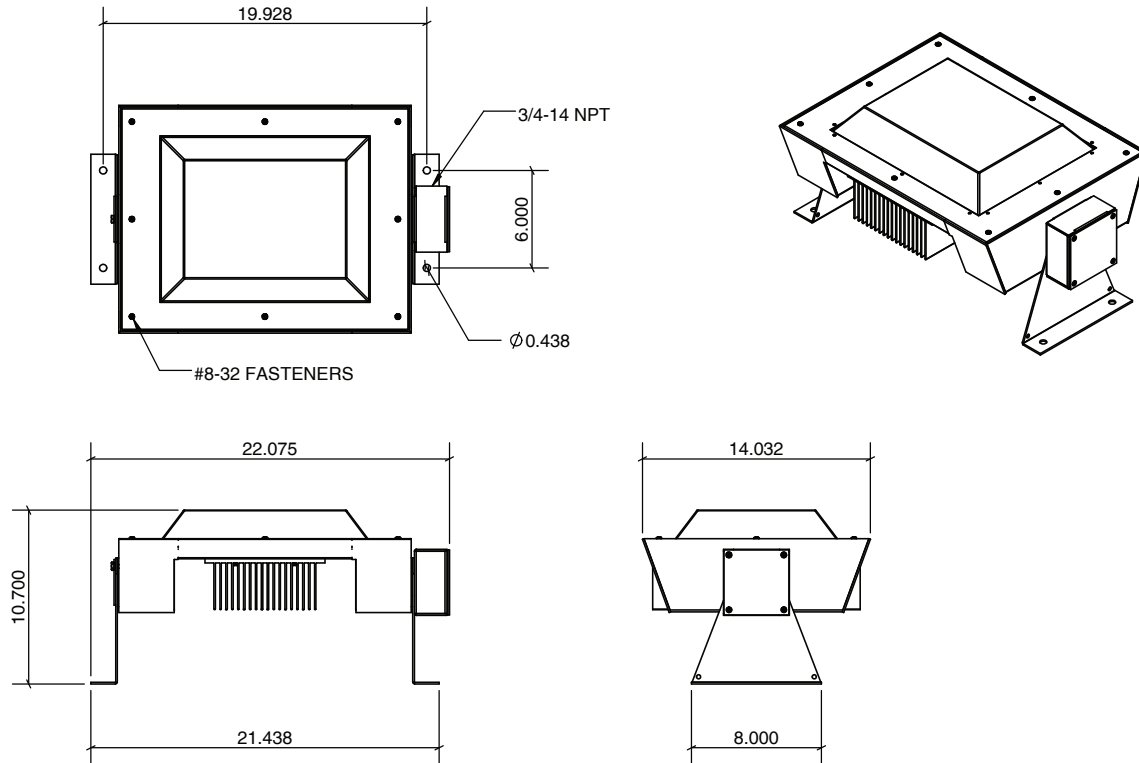
ORDERING INFORMATION

Example: ADLLP-T5-W7-40

SERIES	OPTICS	LUMEN OUTPUT*	LAMP TYPE	OPTIONS
ADLLP	T2 = Type 2 T5 = Type 5	W5 = Low W7 = Standard W10 = High	30 = 3000°K 40 = 4000°K 50 = 5000°K	WP = Whip (to match J-Box entry size) JB34 = J-Box with 3/4-14 NPT entry CC = Custom color, consult factory

*Subject to change.
Performance Data on Page 2

DIMENSIONAL DATA



PERFORMANCE DATA

MODEL	OUTPUT	LAMP TYPE	LUMENS DELIVERED	EFFICACY (lm/W)	INPUT POWER (W)
ADLLP Type 2	Low (W5)	3000°K	6300	119	53
		4000°K	6400	121	53
		5000°K	6700	126	53
	Standard (W7)	3000°K	8900	116	77
		4000°K	9100	118	77
		5000°K	9500	123	77
	High (W10)	3000°K	11500	111	104
		4000°K	11750	113	104
		5000°K	12300	118	104
ADLLP Type 5	Low (W5)	3000°K	6450	112	53
		4000°K	6550	124	53
		5000°K	6850	129	53
	Standard (W7)	3000°K	9200	119	77
		4000°K	9300	121	77
		5000°K	9700	126	77
	High (W10)	3000°K	11900	114	104
		4000°K	12100	116	104
		5000°K	12600	121	104

Notes:
 Specifications and Dimensions are subject to change without notice.
 For additional options and dimensional details please consult your New Star Lighting Representative.