

INSTALLATION INSTRUCTIONS

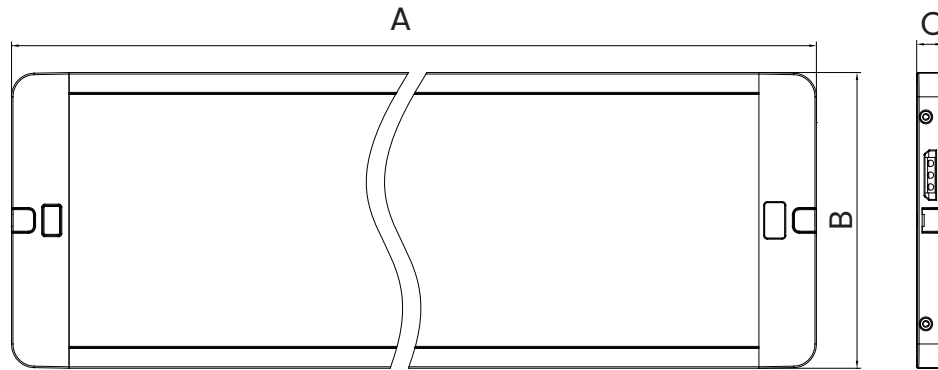
Fixture Family: CompleteCare™ Undercabinet

Description: Undercabinet

IMPORTANT SAFETY INSTRUCTIONS

- Always check the product for damage before use. If you find any damage, return the product to the seller.
- Avoid exposing the product to extreme temperatures and humidity.
- Keep the product away from combustible materials (min. 30cm) as it radiates heat during use.
- Never plug or unplug the AC adapter with wet hands.
- For maintenance, adjustments and repairs, contact only a professional or specialist dealer.
- Do not place any objects on the product or cover it.
- Do not connect the product to the power supply while it is still in its packaging.
- The light source is not replaceable.
- Always disconnect the product from the mains before handling.
- In case of malfunction, do not attempt to repair the product yourself.
- Do not interfere with the product wiring.
- Use only the power supply supplied with the product.
- Suitable for indoor use only.
- Not intended as a toy for children. Keep out of reach of children.

Dimensions (in)



	CCUC11	CCUC18	CCUC23	CCUC36	CCUC42
Width [A]	11	18	22.50	11	41.18
Height [B]	3.94	3.94	3.94	3.94	3.94
Depth [C]	0.35	0.35	0.35	0.35	0.35

The dimensions of the master and satellite units are identical

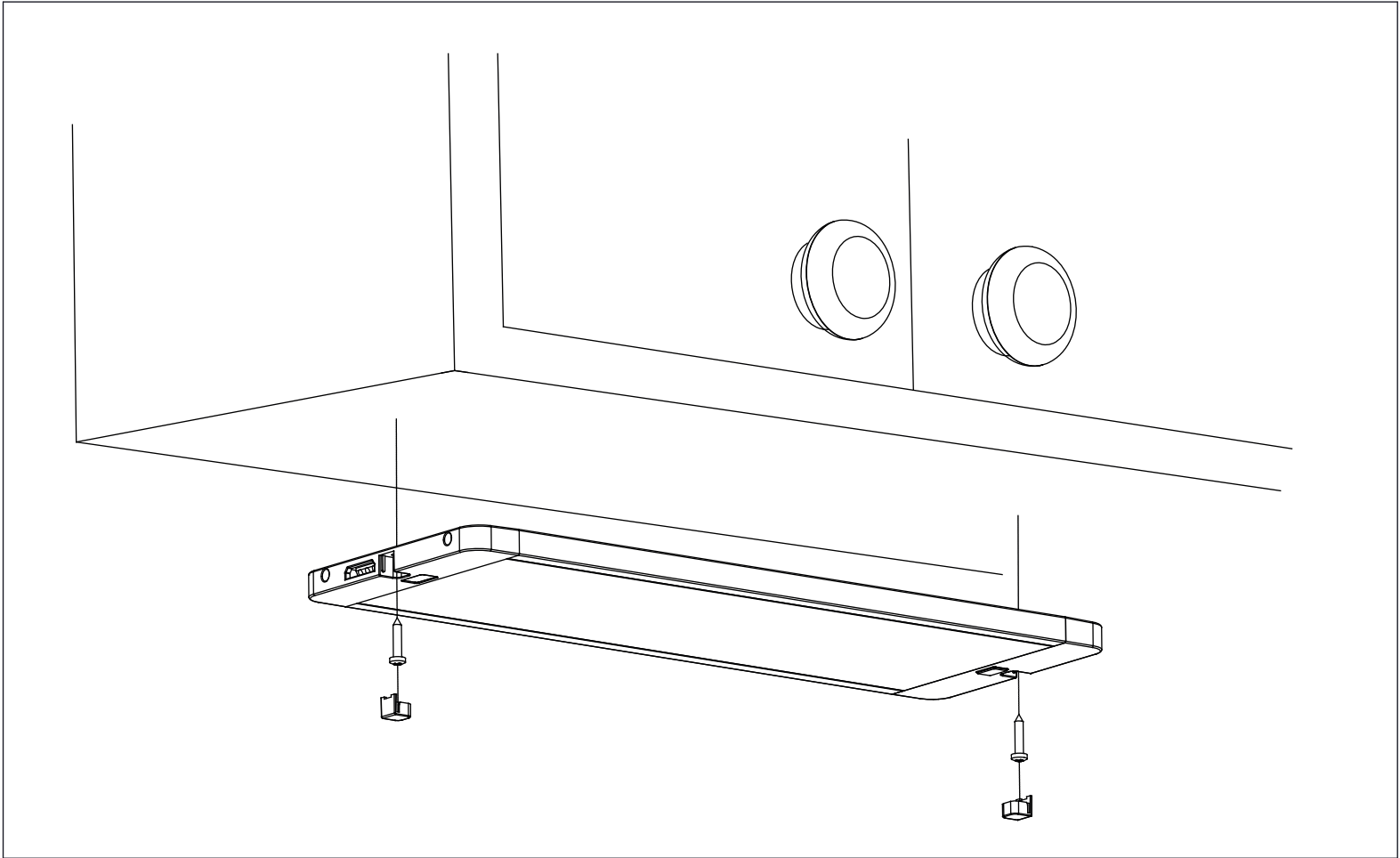


Figure 1

INSTALLATION STEPS

1. The LED light is installed using mounting screws in the prepared holes on the sides of the light. It is possible to connect a maximum of 2 units. The power adapter plugs into the master unit only.

The LED lights can be installed horizontally and vertically, both above the kitchen counter and on the wall or ceiling.

Wiring diagram

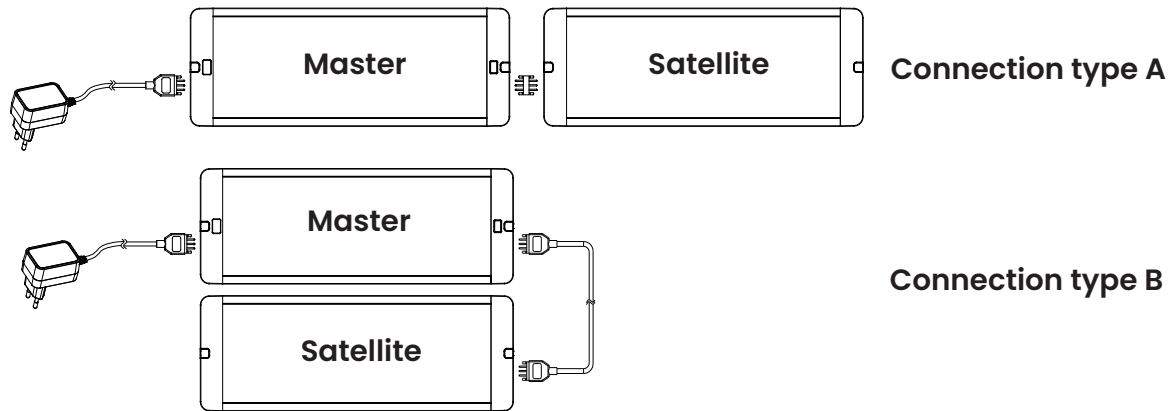
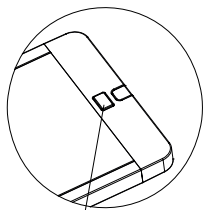


Figure 2

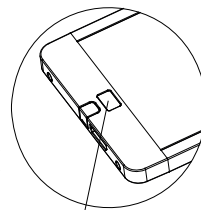
Control



Button

Button switch

Turn on
Color temperature change
2700K, 3000K, 3500K, 4000K, 5000K



IR sensor

Infrared (IR) switch

Wave to turn on/off
Holding your hand over the sensor
(0.39-1.97cm) dimmability 10%-100%

Figure 3

INSTALLATION STEPS

2. The mains adapter is connected to the main MASTER unit (with control), the side marked Input
The main unit and the auxiliary unit can be connected in two ways
 - A - direct 3-pin connector
 - B - 11.81in connection cable with 3-pin connector
3. The control is located on the main unit and is divided into two parts - Manual switch and IR sensor. The button can only be switched on, switching off is done using a PIR sensor.