

# MRI STARMED DOWNLIGHT SERIES LED

## DLM6

**SPECIFICATION FEATURES**

**HOUSING:** Sealed housing in 16 gauge aluminum with an extruded aluminum heat sink designed for maximum thermal dissipation.

**LENS:** Acrylic or polycarbonate inner lens to diffuse LED module with an optional clear outer lens.

**ELECTRICAL:** LED module available in three color temperatures 3000°K, 3500°K, and 4000°K with maximum 3-step MacAdam variation allowance. Other color temperatures available, consult factory. Minimum 80 CRI standard with optional minimum 90 CRI available. Dimming options available on Power Supply Box.

**FINISH:** White antimicrobial powder coat finish following multistage iron phosphate pre-treatment on all exposed room-side painting surfaces, unless otherwise specified.

**FASTENERS:** Stainless steel Philips flat head screws with captive cage nuts. Finish to match trim.

**GASKET:** Closed cell EPDM and closed cell silicone gaskets prevent air contaminations from entering the fixture.

**WARRANTY:** Five (5) year limited warranty. Visit newstarlighting.com for more information.

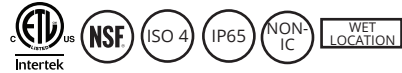
**POWER SUPPLY:** LED driver included - must be remote mount. Must order Power Supply separately on page 3. Consult factory for more information. MRI room EMI filter required, supplied by others.



**APPLICATIONS:** MRI Suites.

**MOUNTING:** Recessed installation.

**LABEL:** Fixture is certified to UL standards by Intertek Testing Laboratory for non-IC and Wet Location installations. Suitable for through branch wiring. IP65 rating. Meets ISO 4/Class 10 Cleanrooms. NSF2 Splash/Non-Food Zone.



**ORDERING INFORMATION**

Example: DLM6-MRI-HA-L340-A/D-A-3-UN

| SERIES             | APERTURE   | MRI   | HOUSING                     | WATTAGE                         | COLOR TEMP.                               |
|--------------------|------------|---|-----------------------------|---------------------------------|---|
| DLM                | 6 = 6 inch | MRI = Remote Driver. Remote Power Supply, ordered separately. Requires proper filter components supplied by others. Consult factory for additional information. | HA = 16Ga. Aluminum Painted | L3 = 9W<br>L4 = 19W<br>L5 = 34W | 30 = 3000°K<br>35 = 3500°K<br>40 = 4000°K |
| *Subject to change |            |   |                             |                                 |   |

| OUTER LENS   | INNER LENS   | TRIM               | REFLECTOR FINISH             | VOLTAGE  | OPTIONS      |
|--|--|--------------------|------------------------------|--|--------------|
| A = .125 Clear Acrylic<br>B = .125 Clear Poly.<br>C = .187 Clear Poly.<br>D = .250 Clear Poly.<br>O = None | A = .125 Prismatic Acrylic<br>B = .125 Prismatic Poly.<br>C = .156 Prismatic Poly.<br>D = .125 White Frosted Poly. | A = .080 Aluminium | 3 = Antimic. Low Gloss White | 12 = 120V<br>27 = 277V<br>UN = Universal (120V-277V) | 90C = 90 CRI |

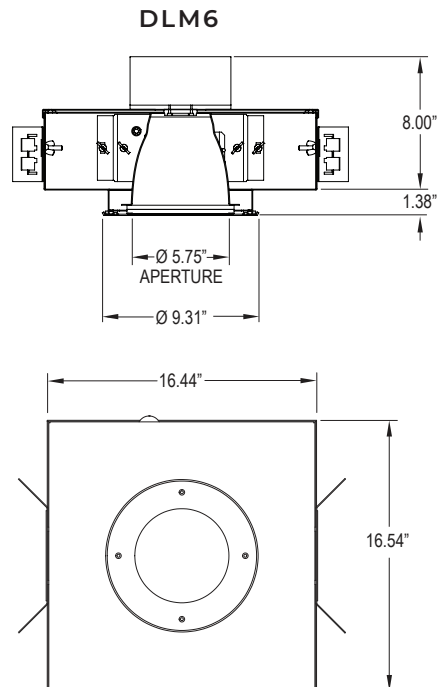
Notes:  
Specifications and Dimensions are subject to change without notice.  
For additional options and dimensional details please consult your New Star Lighting Representative.

### PERFORMANCE DATA\*

| MODEL   | OUTPUT | COLOR TEMP. | LUMENS DELIVERED | EFFICACY (lm/W) | INPUT POWER (W) |
|---|--------|-------------|------------------|-----------------|-----------------|
| DLM6<br>.125 Prismatic<br>Inner Lens              | L3     | 3000°K      | 639              | 71              | 9               |
|   |        | 3500°K      | 666              | 74              | 9               |
|   |        | 4000°K      | 675              | 75              | 9               |
|   | L4     | 3000°K      | 1292             | 68              | 19              |
|   |        | 3500°K      | 1349             | 71              | 19              |
|   |        | 4000°K      | 1368             | 72              | 19              |
|   | L5     | 3000°K      | 2244             | 66              | 34              |
|   |        | 3500°K      | 2346             | 69              | 34              |
|   |        | 4000°K      | 2380             | 70              | 34              |
| DLM6<br>.125 White<br>Frosted Poly.<br>Inner Lens | L3     | 3000°K      | 531              | 59              | 9               |
|   |        | 3500°K      | 558              | 62              | 9               |
|   |        | 4000°K      | 567              | 63              | 9               |
|   | L4     | 3000°K      | 1140             | 60              | 19              |
|   |        | 3500°K      | 1121             | 59              | 19              |
|   |        | 4000°K      | 1140             | 60              | 19              |
|   | L5     | 3000°K      | 1802             | 53              | 34              |
|   |        | 3500°K      | 1904             | 56              | 34              |
|   |        | 4000°K      | 1938             | 57              | 34              |

\*Data is with 80 CRI chip and tested without an outer lens.  
LEDs are frequently updated therefore values may change without notice.  
Visit [www.newstarlighting.com](http://www.newstarlighting.com) for additional information and IES files.

### DIMENSIONAL DATA



Notes:  
Specifications and Dimensions are subject to change without notice.  
For additional options and dimensional details please consult your New Star Lighting Representative.

## POWER SUPPLY SPECIFICATION FEATURES

**HOUSING:** Galvanized steel housing. The power supply must be installed outside the shielded MRI environment. It contains ferrous components that can damage or interfere with MRI equipment.

**ELECTRONICS:** Input: 120/277V 50/60 HZ. Output: Max (3) 36VDC Constant Current Drivers.

**EMI FILTER:** MRI Room EMI filter required (supplied by others). Note, each driver requires individual filter.

**INSTALLATION:** Wiring/Conduit: All power and dimming wiring must be completely shielded in grounded conduit. Minimum 18 AWG low voltage supply wire.

## ORDERING INFORMATION

Inside each Power Supply Box are drivers (3 drivers max per box). Each driver can accommodate a certain number of fixtures based on the fixture wattage. When ordering, specifier must determine the quantity of fixtures per driver. Custom configurations available for power enclosure when using multiple fixtures per driver. Consult factory for configurations. Configurations must be determined at time of order.

Note, each driver requires a MRI Filter (supplied by others).

MRI downlights comes in a 9W, 19W and 34W.

- M1 = (9W): up to 8 fixtures max per driver
- M2 = (19W): up to 4 fixtures max per driver
- M3 = (34W): up to 2 fixtures max per driver

The number of fixtures must be divided over the 3 drivers. See examples on Page 4. Consult factory with questions.

EXAMPLE: DLM6-PS-HC-M2-421-DM

| SERIES | APERTURE   | PS                | HOUSING               | WATTAGE                         |
|--------|------------|-------------------|-----------------------|---------------------------------|
| DLM    | 6 = 6 inch | PS = Power Supply | HC = Galvanized Steel | M1 = 9W<br>M2 = 19W<br>M3 = 34W |

| NUMBER OF FIXTURES PER DRIVER* |          |          | OPTIONS   |
|--------------------------------|----------|----------|---|
| DRIVER 1                       | DRIVER 2 | DRIVER 3 | DM = 0-10V dimming with 10-100% range<br>DM1 = 0-10V dimming with 1-100% range<br>FZ = Fuse |

\*Divide the total number of fixtures per driver.  
 M1 (9W) can have up to 8 fixtures per driver  
 M2 (19W) can have up to 4 fixtures per driver  
 M3 (34W) can have up to 2 fixtures per driver

Example: 6 fixtures with 19W  
 Recommended configuration (Uses least amount of drivers = least amount of filters to purchase):  
 Driver 1 = 4 fixtures, Driver 2 = 2 fixtures, Driver 3 = 0 fixtures

Not recommended:  
 Driver 1 = 2 fixtures, Driver 2 = 2 fixtures, Driver 3 = 2 fixtures

See additional examples on Page 4.

Notes:  
 Specifications and Dimensions are subject to change without notice.  
 For additional options and dimensional details please consult your New Star Lighting Representative.

### DLM REMOTE POWER SUPPLY

DLM-MRI must have a remote Power Supply Box mounted outside the MRI Room. Inside each Power Supply Box are drivers (3 drivers max per box). Each driver can accommodate a certain number of fixtures based on the fixture wattage. When ordering, specifier must determine the quantity of fixtures per driver.

Note, each driver requires a MRI Filter (supplied by others).

MRI downlights comes in a 9W, 19W and 34W.

- M1 = (9W): up to 8 fixtures max per driver
- M2 = (19W): up to 4 fixtures max per driver
- M3 = (34W): up to 2 fixtures max per driver

The number of fixtures must be divided over the 3 drivers. See below configurations and examples.

#### EXAMPLE 1: DLM6-PS-HC-L5-220-DM

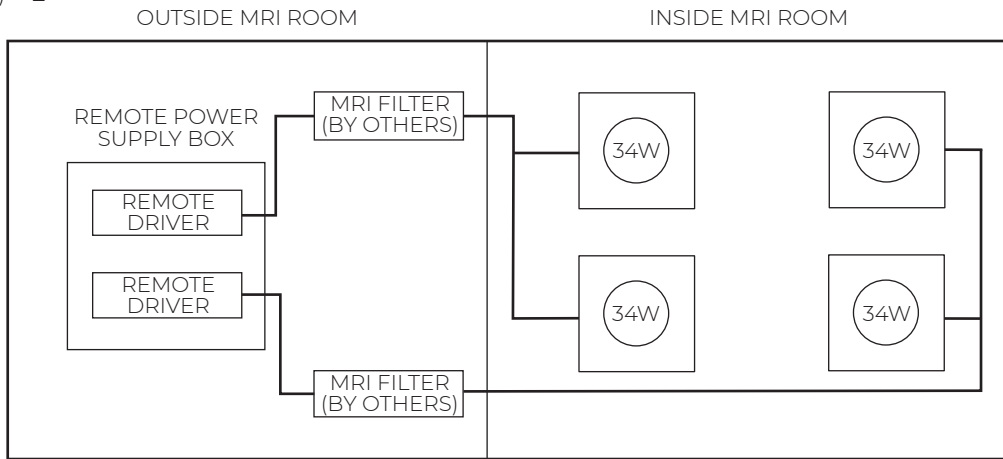
MRI Room has four downlights that are M3 (34W) specified. Order (1) Power Supply Box and determine number of fixtures per driver. Each driver can have up to 2 fixtures.

Driver 1 = 2 fixtures

Driver 2 = 2 fixtures

Driver 3 = 0 fixtures

MRI Filters (by others) = 2



\* Diagram is for example purposes only. Other configurations possible. Consult factory for lighting wiring diagrams.

#### EXAMPLE 2: DLM6-PS-HC-L4-333-DM1

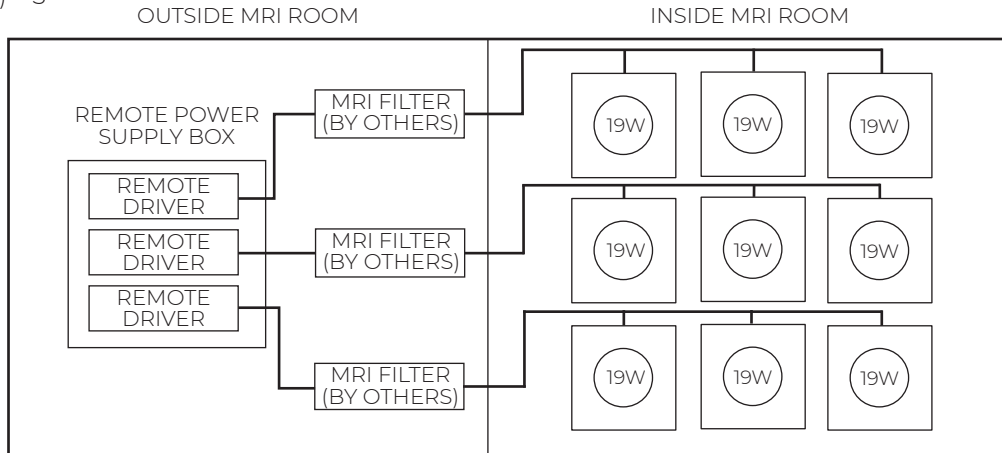
MRI Room has nine downlights that are M2 (19W) specified. Order (1) Power Supply Box and determine number of fixtures per driver. Each driver can have up to 4 fixtures.

Driver 1 = 3 fixtures

Driver 2 = 3 fixtures

Driver 3 = 3 fixtures

MRI Filters (by others) = 3



\* Diagram is for example purposes only. Other configurations possible. Consult factory for lighting wiring diagrams.