

DUETT SERIES LED

NWDEU

SPECIFICATION FEATURES

HOUSING: Die cast, one piece housing constructed in low copper, high magnesium, marine application aluminum alloy.

LENS: UV stabilized white opal polycarbonate.

LED: Available in 3500°K, 4000°K, and 5000°K. 4.8W.

FASTENERS: Phillips screws standard. Optional Allen head screws available.

REFLECTOR: .40" white aluminum for high reflectivity. Reflector serves as heat sink and is unitized with electrical components.

FINISH: Extremely durable oven baked polyester powder coat following a 5 stage iron phosphate pre-treatment in Black or White.

GASKET: Injection molded, single piece silicone rubber gasket to prevent water and dust infiltration.

ORDERING INFORMATION

Example: NWDEU-40-UN-BK-TH



APPLICATIONS: Public Areas, Schools, Hospitality, Exterior Wall, Corridors/ Stairways, Underpasses

MOUNTING: Surface wall installation.

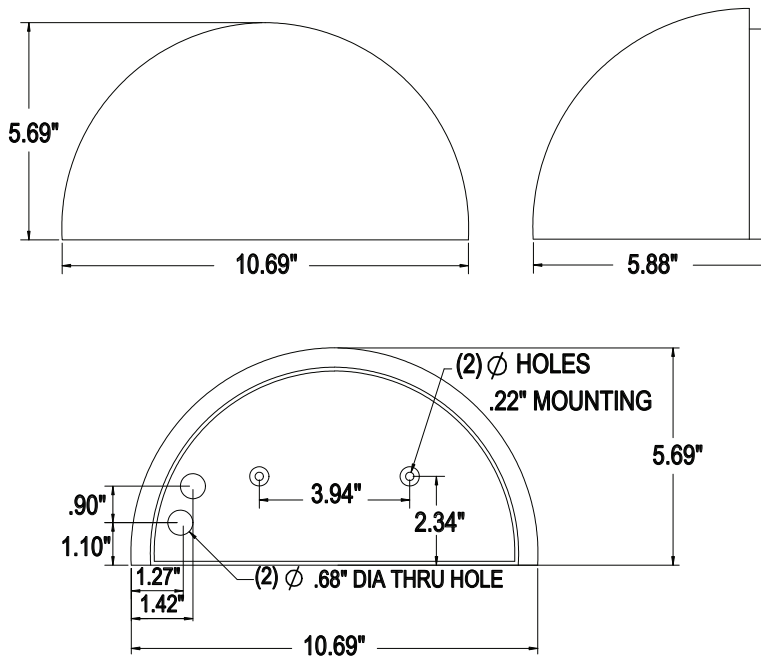
LABEL: Fixture is certified to UL standards by Intertek Testing Laboratory for Wet Locations (under covered ceilings).



SERIES	COLOR TEMP.	VOLTAGE	FINISH	OPTIONS
NWDEU	35 = 3500°K 40 = 4000°K 50 = 5000°K	12 = 120V 27 = 277V 34 = 347V UN = Universal (120V-277V)	BK = Black WH = White	EM = Emergency Battery LED (Must be remote)* AH = Allen Head Screws with center pin reject TH = Torx Head Screws with center pin reject

* Cannot use with UN voltage
· Not available in 347V

DIMENSIONAL DATA



Notes:
Specifications and Dimensions are subject to change without notice.
For additional options and dimensional details please consult your New Star Lighting