

# CLEANROOM EXIT SIGN LED

## ESCS

### SPECIFICATION FEATURES

**HOUSING:** 20 gauge formed cold rolled steel housing with continuous seam welds (standard). Optional 20 gauge brushed stainless steel housing.

**FRAME:** Inset doorframe in 20 gauge cold rolled steel or 20 gauge brushed stainless steel.

**LENS:** .125 clear polycarbonate lens (standard).

**ELECTRONICS:** Long life LED system illuminates red or green legend. Optional single face or double face. 7W.

**FASTENERS:** Stainless steel Philips flat head screws with captive cage nuts. Finish to match doorframe.

**FINISH:** White antimicrobial powder coat finish following multistage iron phosphate pre-treatment.

**GASKET:** Closed cell EPDM and closed cell silicone gaskets prevent air contaminations from entering the fixture.



**APPLICATIONS:** Cleanrooms, Hospitals, Hi-Tech Manufacturing, Laboratory, Food Processing Facilities, Commercial Kitchens, and more.

**MOUNTING:** Ceiling or wall surface mount installation.

**LABEL:** Fixture is certified to UL standards by Intertek Testing Laboratory.



### ORDERING INFORMATION

Example: ESCS-HC/IC-SF-LED-UN-RW

SERIES	MOUNTING	HOUSING	INSET FRAME	FACE	LAMP TYPE
ESC	S				LED
	S = Surface	HC = 20Ga. CRS Painted HS = 20Ga. SS Brushed	IC = 20Ga. CRS Painted IB = 20Ga. SS Brushed	SF = Single Face DF = Double Face	LED = LED Module

VOLTAGE	LETTERING	OPTIONS

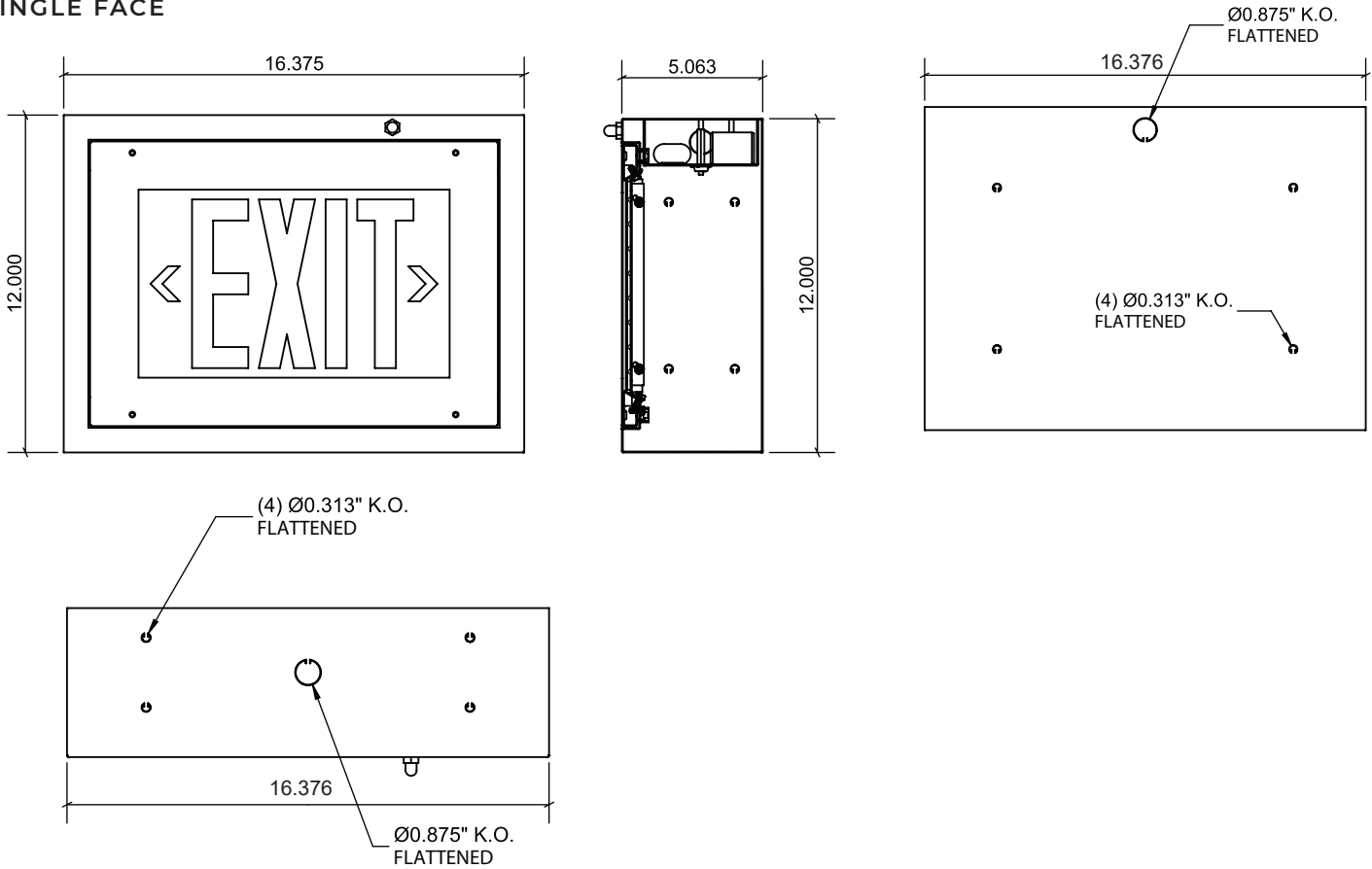
12 = 120V  
27 = 277V  
UN = Universal  
(120V-277V)

RW = Red Letters  
GW = Green Letters

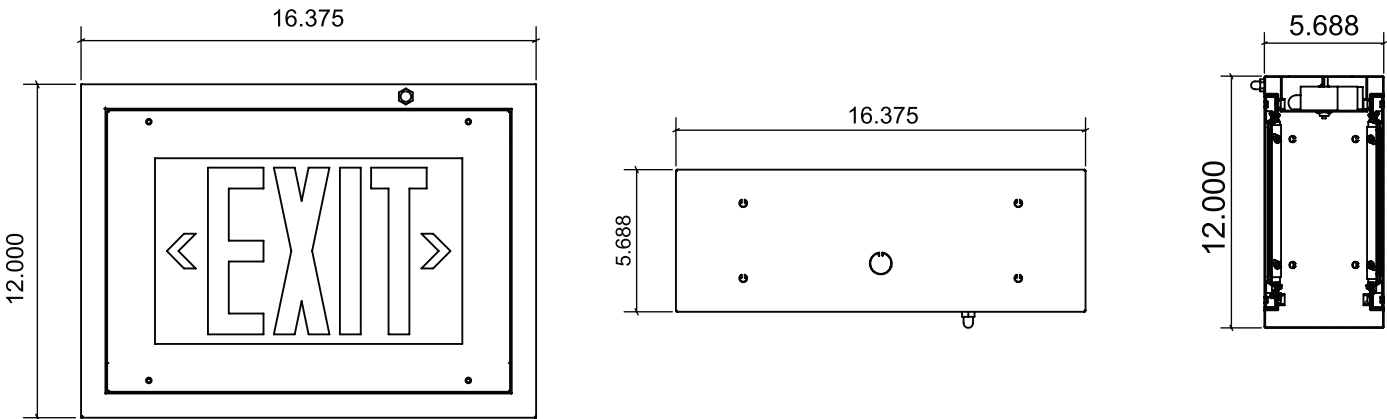
EM = Emergency Battery

## DIMENSIONAL DATA

### SINGLE FACE



### DOUBLE FACE



Notes:  
Specifications and Dimensions are subject to change without notice.  
For additional options and dimensional details please consult your New Star Lighting