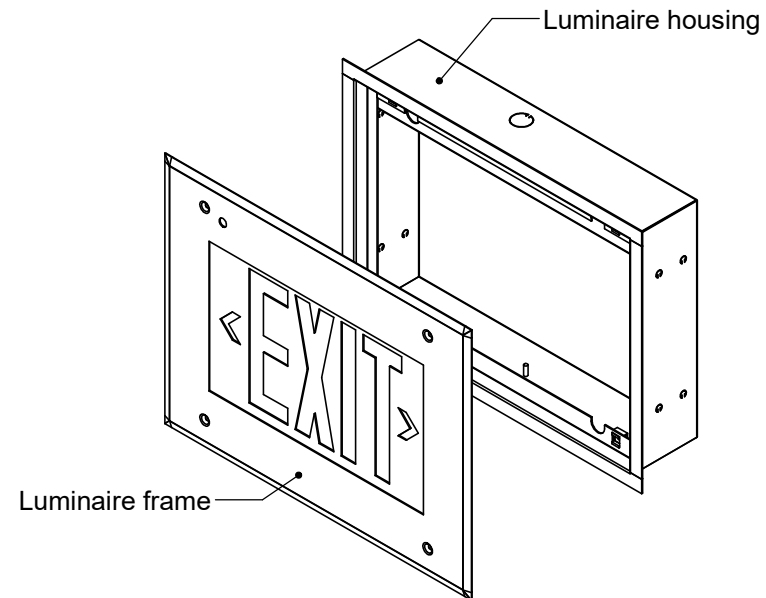
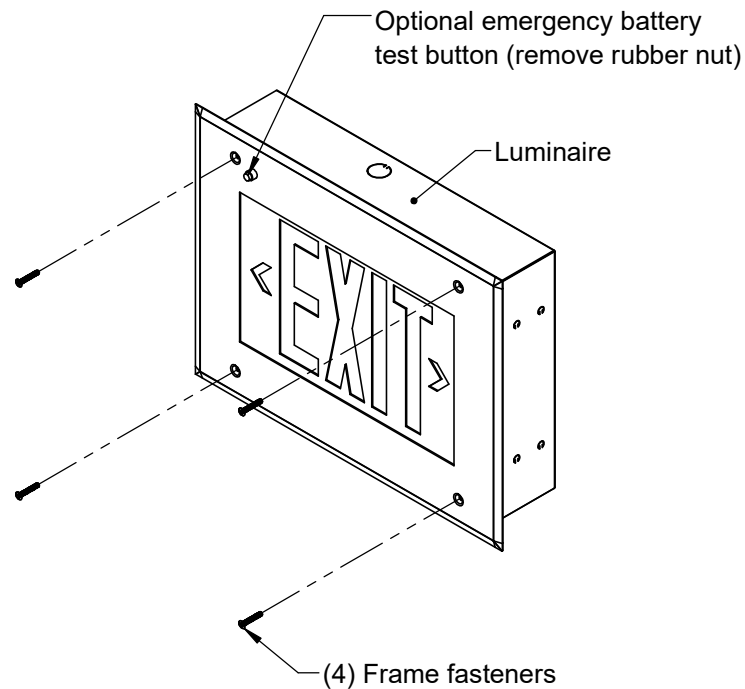


**IMPORTANT SAFE GUARDS:**

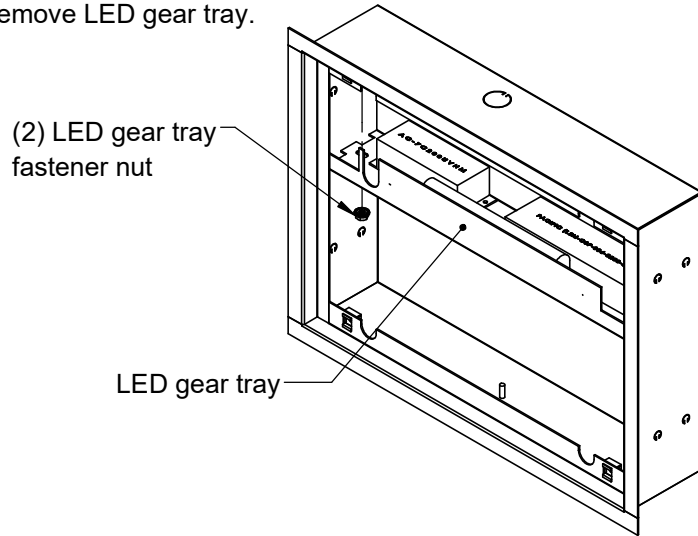
- THIS PRODUCT MUST BE INSTALLED IN ACCORDANCE WITH THE APPLICABLE INSTALLATION CODE BY A PERSON FAMILIAR WITH THE CONSTRUCTION AND OPERATION OF THE PRODUCT AND THE HAZARDS INVOLVED.
- DISCONNECT POWER BEFORE BEGINNING INSTALLATION.
- FIXTURE MUST BE INSTALLED IN COMPLIANCE WITH THE NATIONAL ELECTRIC CODE AND ANY LOCAL CODES.
- TO BE INSTALLED ONLY BY A QUALIFIED ELECTRICIAN.
- PROPER GROUNDING IS REQUIRED TO INSURE PERSONAL SAFETY.
- READ ALL FIXTURE MARKINGS AND LABELS TO ENSURE CORRECT INSTALLATION OF FIXTURE.
- RISK OF FIRE, USE A MINIMUM OF 90C SUPPLY CONNECTORS.

**INSTALLATION INSTRUCTIONS:**

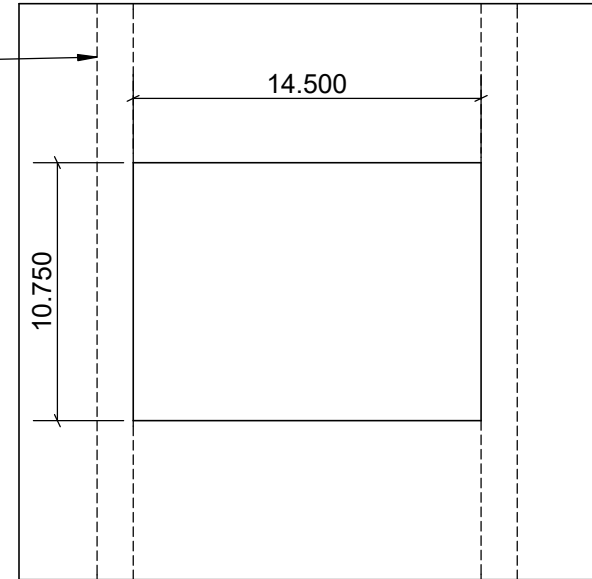
1. Remove luminaire frame fasteners, then remove frame.



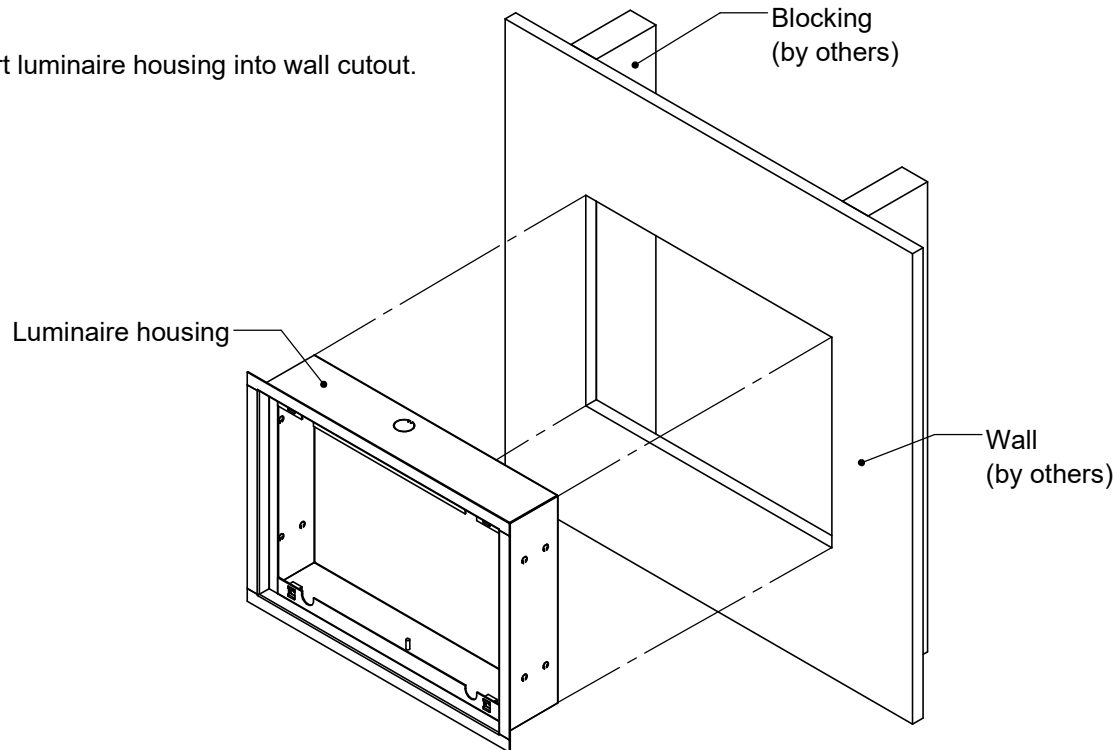
2. Remove LED gear tray.



Blocking  
(by others)

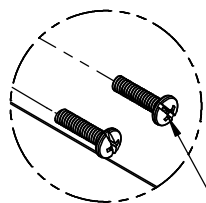
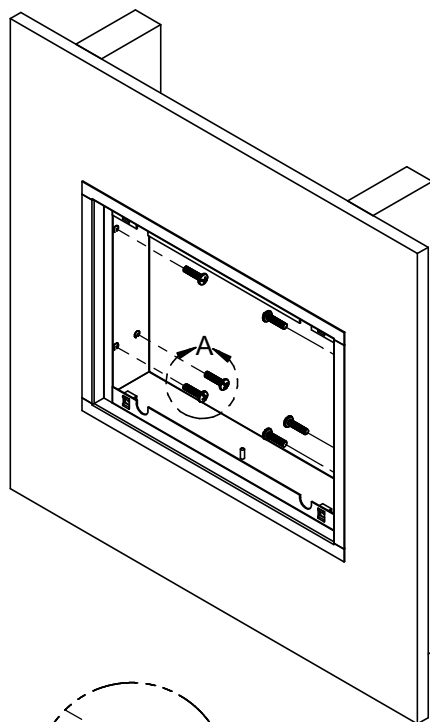


3. Insert luminaire housing into wall cutout.



Wall cutout size

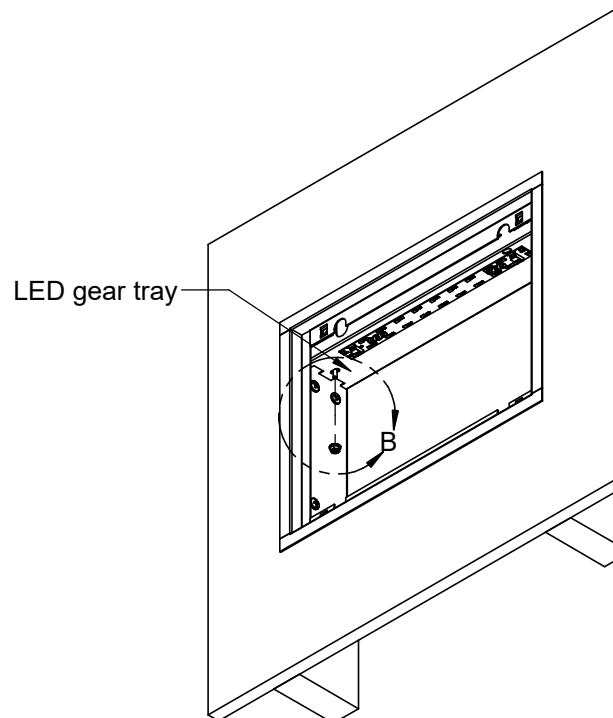
4. Fasten housing into the wall.



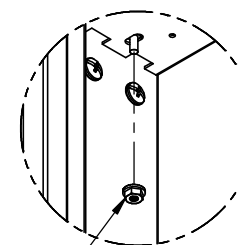
DETAIL A

Mounting hardware  
(by others)

5. Re-insert LED gear tray into luminaire housing.



LED gear tray



LED gear tray nut

DETAIL B

6. Reinsert luminaire frame and fasteners.

