

# STARMED M3R LED SERIES

## M3R

### SPECIFICATION FEATURES

**HOUSING:** 20 gauge formed cold rolled steel housing seam welded and ground smooth. Aluminum and stainless steel options available.

**FRAME:** Inset doorframe provides surface for cleanability and IP rating. Doorframe is available in aluminum, stainless steel or cold rolled steel with a clear .125 acrylic or polycarbonate lens. Frame held to housing via aircraft cable.

**LENS:** White frosted polycarbonate or acrylic shields high performing Exam compartment. Ambient compartment shielded by a white ribbed polycarbonate inner lens. Reading light is a patented rotatable frosted polycarbonate lens inside an aluminum frame (3500K provided unless otherwise specified).

**LED:** Ambient and exam available in three color temperatures 3500K, 4000K, and 5000K. Other color temperatures available, consult factory. Minimum 80 CRI standard with optional 90 CRI. 0-10V dimming available with 10-100% range and 1-100% range. Must specify dimming under options. Dimming available for ambient and reading section only, consult factory for additional options.

**FASTENERS:** Stainless steel Philips flat head screws with captive cage nuts. Finish to match housing.

**FINISH:** White antimicrobial powder coat finish following multistage iron phosphate pre-treatment.

**GASKET:** Closed cell EPDM and closed cell silicone gaskets prevent air contaminations from entering the fixture.

### ORDERING INFORMATION

Example: M3R24-HC/IC-L650-L340-3C-E/A-UN-LV



**APPLICATIONS:** Hospitals, Patient Rooms, Skilled Nursing, and more.

**MOUNTING:** Recessed (R) mounting accommodates Grid and Flange installations. Recessed fixtures will be supplied with adjustable swing arms that can be used for Flange applications or taped to the side for Grid applications. Recessed install compatible with 1-1/2" and 15/16" Grid systems. Mounting for custom ceilings available, consult factory.

**LABEL:** Fixture is certified to UL standards by Intertek Testing Laboratories. IP65 Rating.



SERIES	MOUNTING	SIZE*	HOUSING	INSET FRAME	EXAM LUMEN OUTPUT*	EXAM COLOR TEMP.
M3	R	24				
	R = Recessed (Grid/Flange)	24 = 2x4  *Nominal Size. Dimensional Data on Page 2.	HC = 20Ga. CRS Painted HS = 20Ga. SS Brushed HP = 20Ga. SS Painted HA = 16Ga. Alum. Painted	IC = 18Ga. CRS Painted IA = 16Ga. Alum Painted IB = 18Ga. SS Brushed IS = 18Ga. SS Painted	L4 = Low L6 = Medium L8 = High	35 = 3500K 40 = 4000K 50 = 5000K

\*Subject to change.  
Performance Data on  
page 2.

AMBIENT LUMEN OUTPUT*	AMBIENT COLOR TEMP.	CIRCUITS*	EXAM LENS	AMBIENT/READING OVERLAY*	VOLTAGE	OPTIONS
		3C				

L2 = Low	35 = 3500K	3C = 3 Circuits	E = .125 White Frosted Poly.	A = .125 Clear Acrylic	12 = 120V	DM = 0-10V dimming with 10-100% range
L3 = Medium	40 = 4000K		F = .125 White Frosted Acrylic	B = .125 Clear Poly.	27 = 277V	DM1 = 0-10V dimming with 1-100% range
L4 = High	50 = 5000K				34 = 347V	FZ1 = Fuse (120V)
		*Refers to main compartment circuits. Consult factory for additional options.		*Clear lens overlay for ambient and reading compartments to create surface for easy cleaning.	UN = Universal (120V-277V)	FZ2 = Fuse (277V)
						EL1 = Emerg. Bat. LED Low (10W)
						90C = 90 CRI
						FY = Yoke Bracket (Replaces swing arm)
						EMI = (EMI) Electromagnetic Interference Filter
						LN = LED Night Light*
						LV2 = On/Off Curbell Low Voltage Controller**
						LV3 = Dimming Curbell Low Voltage Controller***

\*Subject to change.  
Performance Data on  
page 2. Ambient  
Compartment diffused  
with a white ribbed poly.  
lens.

\*3500K non-dimming Night Light with integrated switch allows light levels at 100%, 70%, 40% and 10%.  
 \*\*LV2 controls ambient and reading function without dimming (on/off function only). Exam and Night Light (if specified) are on separate line voltage circuits. Must specify voltage. N/A with emergency battery.  
 \*\*\*LV3 controls ambient function with dimming and on/off reading function. Exam and Night Light (if specified) are on separate line voltage circuits. N/A with emergency battery.

# STARMED M3 LED SERIES

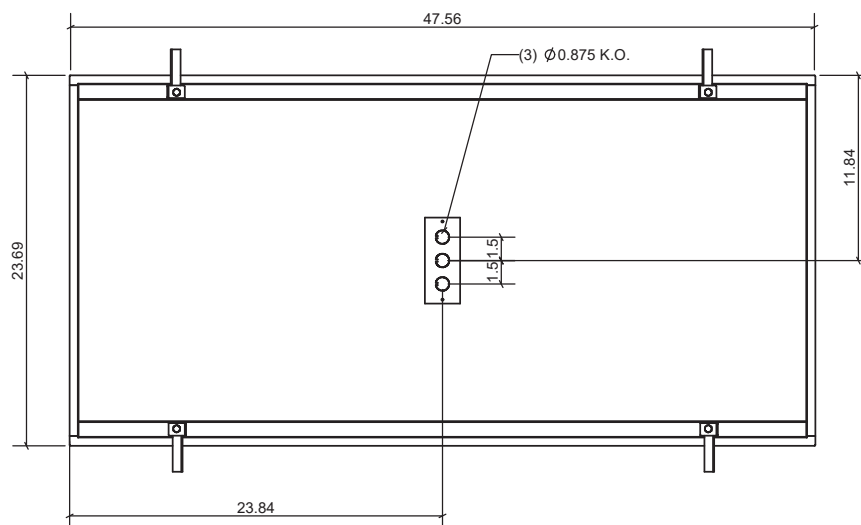
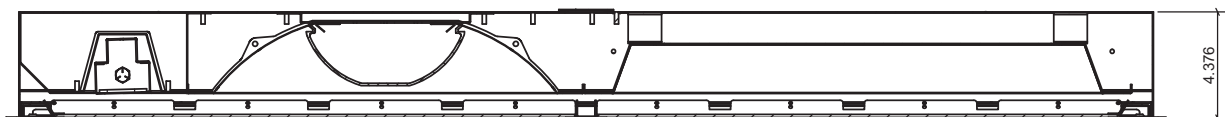
## M3R



### PERFORMANCE DATA\*

MODEL	FUNCTION	OUTPUT	COLOR TEMP.	LUMENS DELIVERED	EFFICACY (lm/W)	INPUT POWER (W)
M3	Exam	L4 = Low	4000K	5900	115	50
		L6 = Medium	4000K	8700	115	80
		L8 = High	4000K	11700	115	100
	Ambient	L2 = Low	4000K	2375	95	25
		L3 = Medium	4000K	3500	95	37.5
		L4 = High	4000K	4750	95	50
Reading	Standard	3500K	760	54	15	

### DIMENSIONAL DATA



Notes:  
 Specifications and Dimensions are subject to change without notice.  
 For additional options and dimensional details please consult your New Star Lighting Representative.