

## STARMED HEADWALL MHS: QUICK SHIP

### MHS4

#### FEATURES:

- Intended for Healthcare Settings, Alternative Care Facilities, Patient Rooms, Skilled Nursing, Hospitals, and more
- 10 Day Quick Ship for orders under 50 fixtures. Consult factory for large quantities or additional fixture options
- Headwall patient room fixture provides up/down lighting for ambient and reading functions
- Aluminum construction with welded endcaps
- Standard antimicrobial finish
- This product was Made in America and complies with the Buy American Act requirements

#### RELATED PRODUCTS:

- [StarMed Headwall \(MHS\) Full Range of Ordering Options](#)
- [StarMed Dos+1 \(SMDOS\)](#)
- [ComPro Series \(CPP\)](#)

#### SPECIFICATIONS

**CONSTRUCTION:** 16 gauge formed aluminum housing seamed welded and ground smooth. Welded endcaps standard.

**LENS:** Prismatic acrylic or white frosted polycarbonate for maximum diffusion.

**LED:** Available in two color temperatures 3500°K and 4000°K with maximum 3-step MacAdam variation allowance. Other color temperatures available, consult factory. Minimum 80 CRI standard.

**ELECTRICAL:** 0-10V dimming available with 10-100% range and 1-100% range for Up and Down compartment. Must specify dimming under options. Optional Curbell Low Voltage Controller provides control of lighting from a pillow speaker, bed side rail or wall switch. Up and Down compartments will be on one controller, but controlled separately. LV2 has on/off capability only. Must specify voltage for LV2. LV3 has dimming capabilities. Controls and additional accessories by others.

**FASTENERS:** Stainless steel Philips flat head screws with captive cage nuts. Finish to match housing.

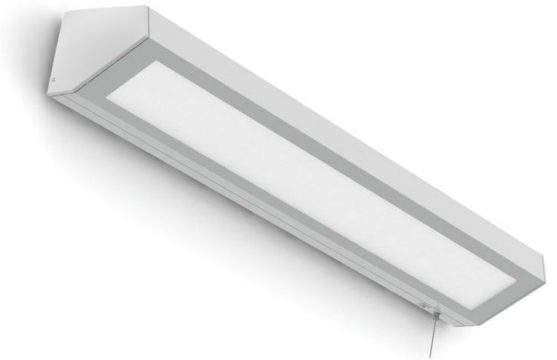
**FINISH:** Matte white antimicrobial powder coat finish following multistage iron phosphate pretreatment.

**GASKET:** Closed cell neoprene to prevent air contaminants from getting into the fixture.

**INSTALLATION:** Surface wall mount installation. Hardware by others.

**WARRANTY:** Limited five (5) year warranty.

**LABEL:** Fixture is certified to UL standards by Intertek Testing Laboratories for Damp Location.



MHS4



# STARMED HEADWALL MHS: QUICK SHIP

## MHS4

### ORDERING INFORMATION

EXAMPLE: MHS4-HA-WE-LB352C-A-UN-QS

SERIES	SIZE*	HOUSING	ENDCAPS	LUMEN OUTPUT*	COLOR TEMP.	CIRCUITS
MHS	4	HA	WE			

4 = 4 ft

HA = 16Ga. Alum. Painted

WE = Welded Flat Endcaps

LA = 1 Up/1Down

35 = 3500°K

1C = 1 Circuit

LB = 1 Up/2 Down

40 = 4000°K

2C = 2 Circuits\*

LC = 2 Up/2 Down

LD = 2 Up/ 1 Down

LF = 3 Up/3 Down

LG = 1 Up/3 Down

LH= 3 Up/2 Down

\*Select 2C for Up/ Down compartments to be independently circuited/ controlled.

\*Nominal Size. Dimensional Data on Page 3.

\*Subject to change. Data on page 3.

LENS	VOLTAGE	OPTIONS	QS
			QS

A = .125 Prismatic Acrylic

12 = 120V

DM = 0-10V dimming with 10-100% range

QS = Quick Ship

LC3 = .125 White Frosted Poly.

27 = 277V

DM1 = 0-10V dimming with 1-100% range

UN = Universal (120V-277V)

SD2 = Step Dim. Module (50-100%)

SD3 = Step Dim. Module (30-70-100%)

WP = 6ft. Flex Whip. Supply wires included only unless otherwise specified

TH = Torx Head screws (with center pin)

LV2 = On/Off Low Voltage Controller (must specify voltage)\*

LV3 = Dimming Low Voltage Controller\*

PW = Pull Chain Switch 4-position (120V Only)\*\*

\* Provides lighting control interface to a pillow speaker, bed side rail or other low voltage devices. Controls and additional accessories by others.

\*\*Pull Chain is 1 circuit only. N/A with LV2/LV3.

This product was Made in America and complies with the Buy American Act requirements. Specifications and dimensions are subject to change without notice. For additional options and dimensional details, please consult your New Star Lighting representative.

# STARMED HEADWALL MHS: QUICK SHIP

MHS4



## PERFORMANCE DATA\*

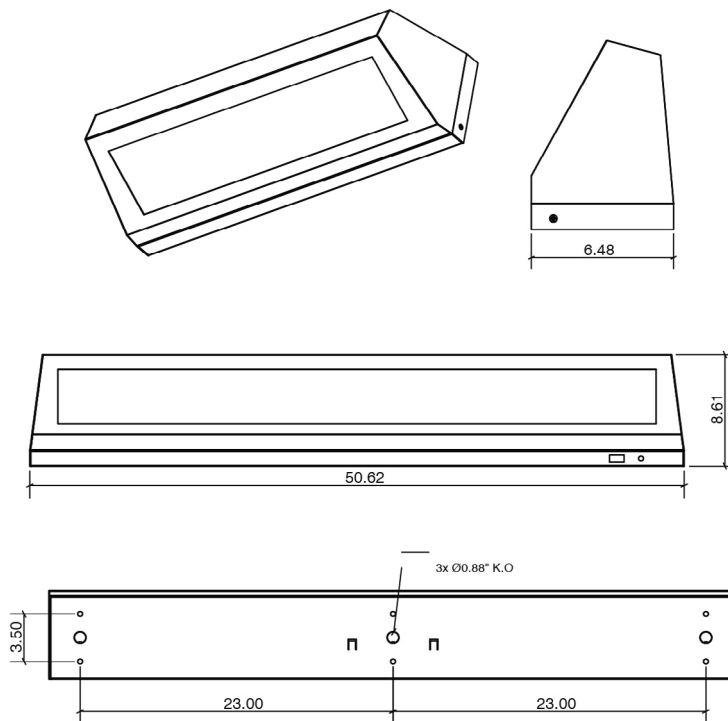
\*Data is with 80 CRI chip. LEDs are frequently updated therefore values may change without notice.

MODEL	OUTPUT	COLOR TEMP.	LUMENS DELIVERED	EFFICACY (lm/W)	INPUT POWER (W)
MHS4	LA = 1 Up/1Down	4000°K	5500	110	50W
	LB = 1 Up/2 Down	4000°K	8250	110	75W
	LC = 2 Up/2 Down	4000°K	11000	110	100W
	LD = 2 Up/ 1 Down	4000°K	8250	110	75W
	LF = 3 Up/3 Down	4000°K	16500	110	150W
	LG = 1 Up/3 Down	4000°K	11000	110	100W
	LH= 3 Up/2 Down	4000°K	13750	110	125W

## DIMENSIONAL DATA

Fixture weight varies and is dependent upon chosen specifications. Consult factory for additional information. Average weight of the MHS4 is 20lb.

### WITH WELDED ENDCAP (STANDARD)



This product was Made in America and complies with the Buy American Act requirements. Specifications and dimensions are subject to change without notice. For additional options and dimensional details, please consult your New Star Lighting representative.