



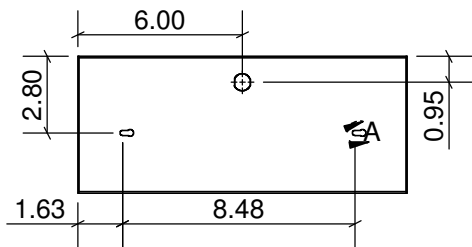
# MUS Series Installation Instructions

2225 W Pershing Rd. Chicago, IL 60609 - 773.847.1400 - [www.newstarlighting.com](http://www.newstarlighting.com)

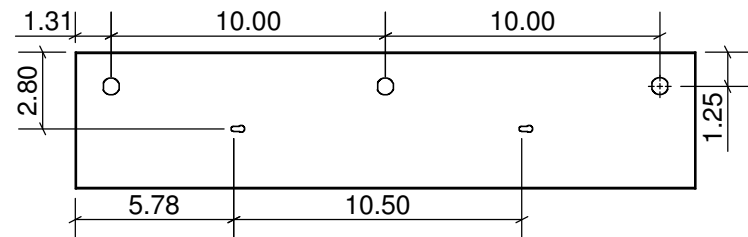
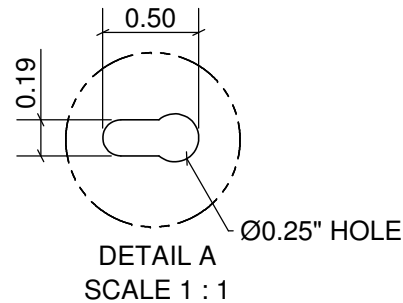
## IMPORTANT SAFE GUARDS:

- THIS PRODUCT MUST BE INSTALLED IN ACCORDANCE WITH THE APPLICABLE INSTALLATION CODE BY A PERSON FAMILIAR WITH THE CONSTRUCTION AND OPERATION OF THE PRODUCT AND THE HAZARDS INVOLVED.
- DISCONNECT POWER BEFORE BEGINNING INSTALLATION.
- FIXTURE MUST BE INSTALLED IN COMPLIANCE WITH THE NATIONAL ELECTRIC CODE AND ANY LOCAL CODES.
- TO BE INSTALLED ONLY BY A QUALIFIED ELECTRICIAN.
- PROPER GROUNDING IS REQUIRED TO INSURE PERSONAL SAFETY.
- READ ALL FIXTURE MARKINGS AND LABELS TO ENSURE CORRECT INSTALLATION OF FIXTURE.
- RISK OF FIRE, USE A MINIMUM OF 90C SUPPLY CONNECTORS.

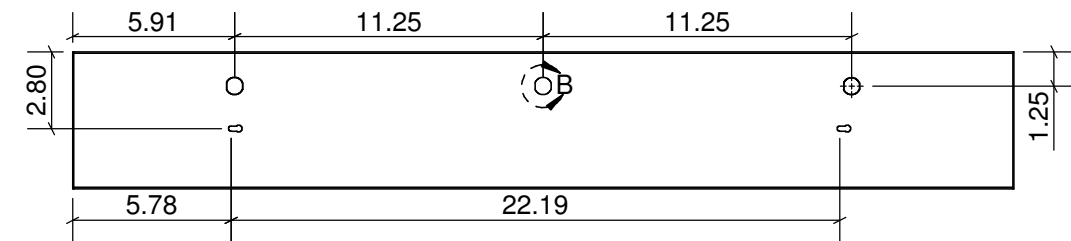
## INSTALLATION INSTRUCTIONS:



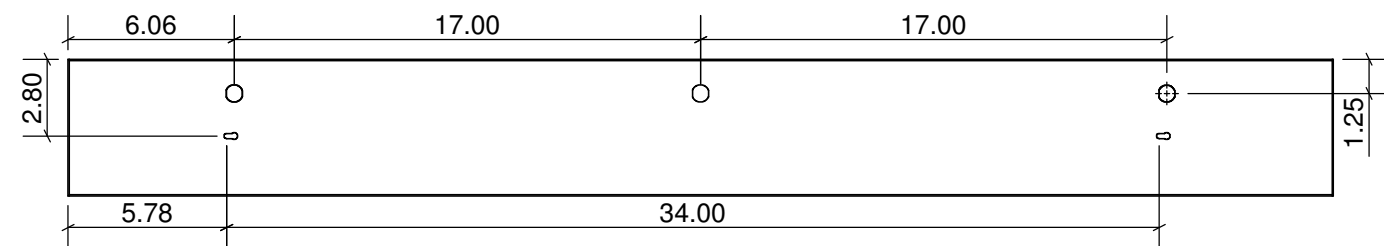
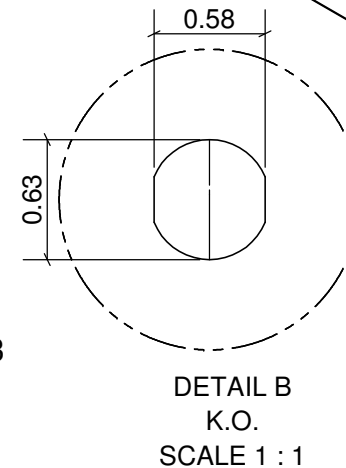
MUS1



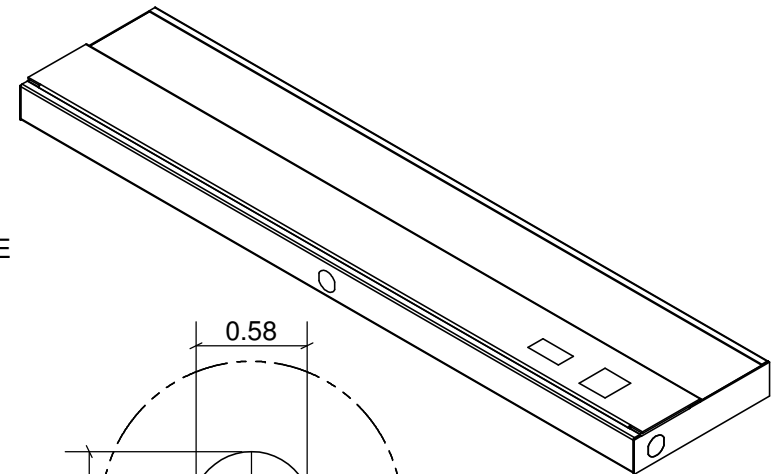
MUS2



MUS3



MUS4

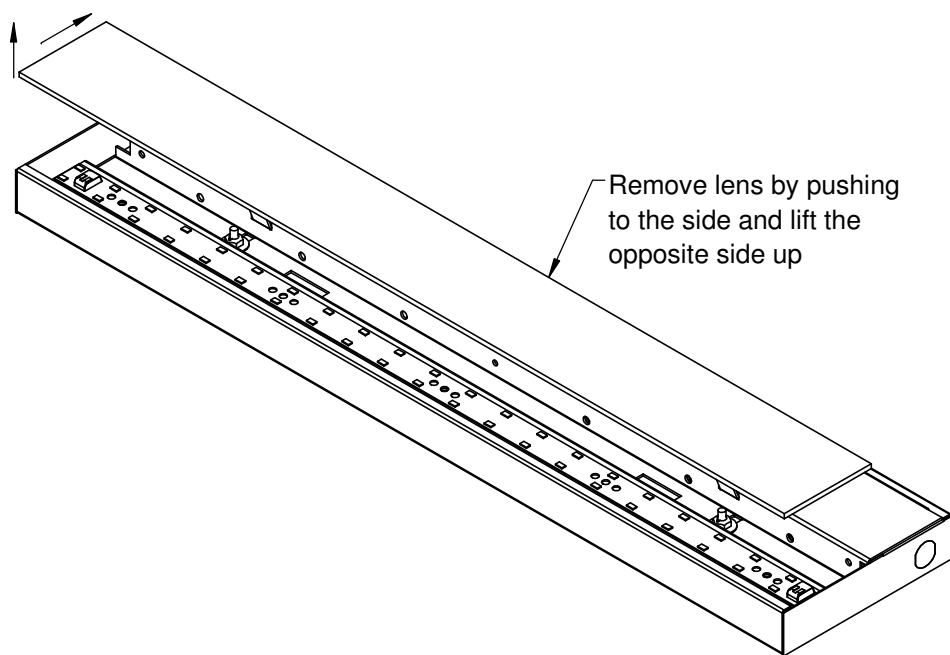




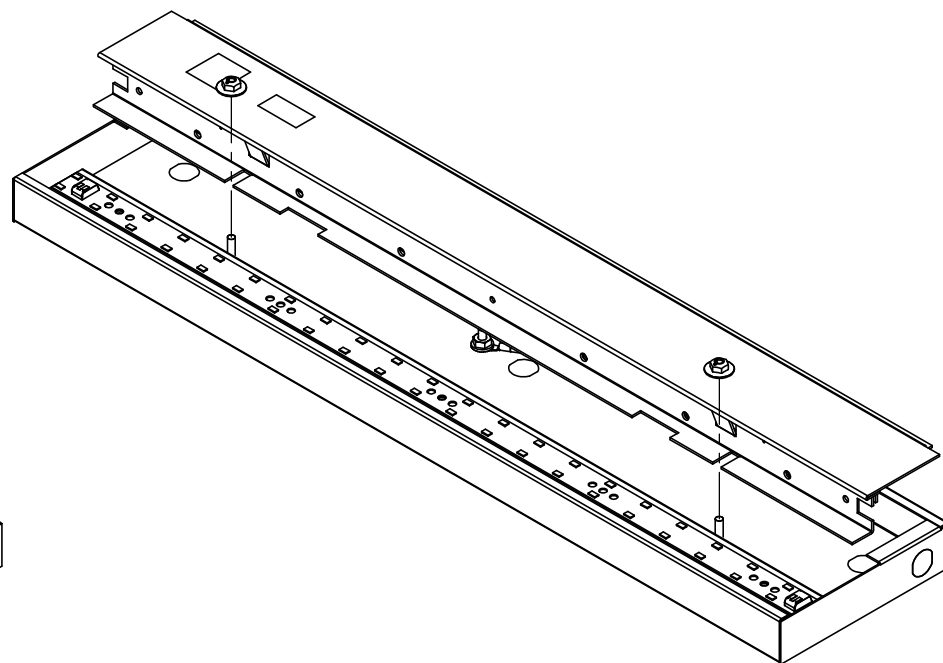
# MUS Series Installation Instructions

2225 W Pershing Rd. Chicago, IL 60609 - 773.847.1400 - [www.newstarlighting.com](http://www.newstarlighting.com)

1. Remove lens from fixture.



2. Remove wire way cover.

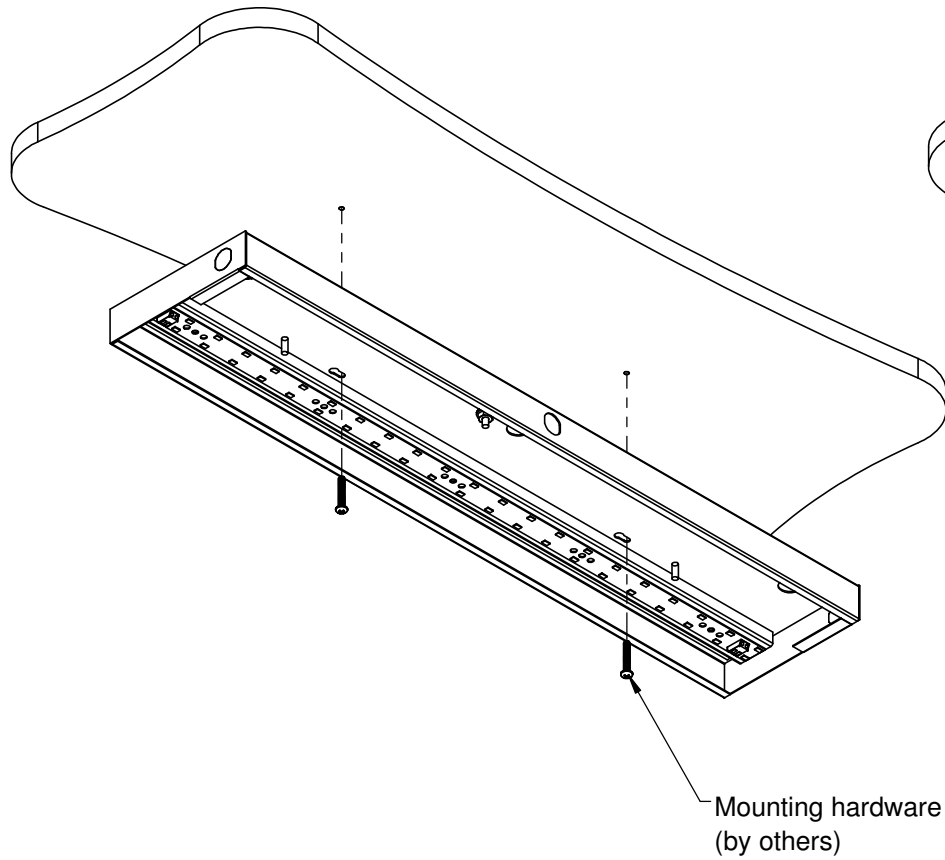




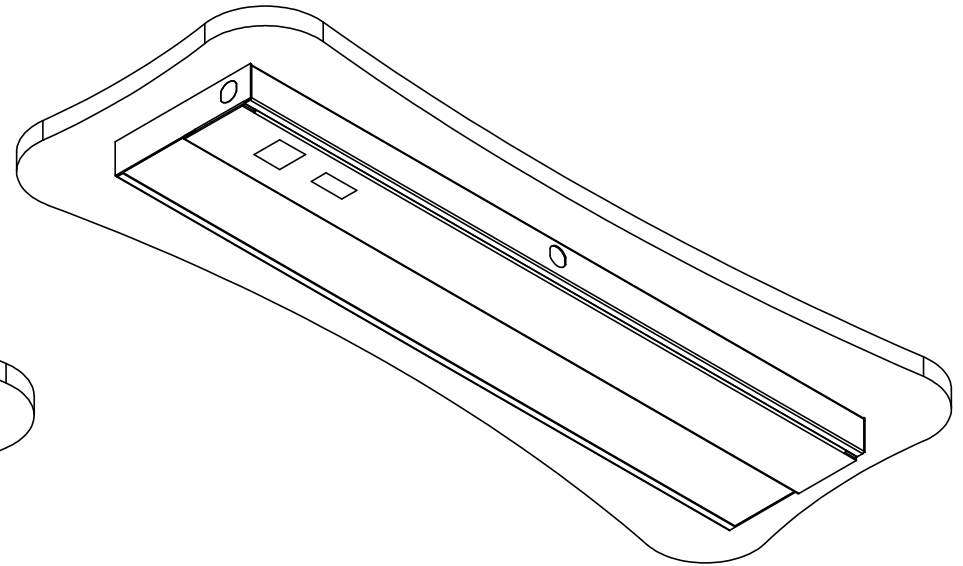
# MUS Series Installation Instructions

2225 W Pershing Rd. Chicago, IL 60609 - 773.847.1400 - [www.newstarlighting.com](http://www.newstarlighting.com)

3. Secure fixture to ceiling.



4. After making necessary electrical, re-attach wireway cover and lens.





# MUS Series Installation Instructions

2225 W Pershing Rd. Chicago, IL 60609 - 773.847.1400 - [www.newstarlighting.com](http://www.newstarlighting.com)

Applicable when Row Mount is ordered

