

## STARMED MUS UNDERCABINET SERIES

MUS2/MUS3/MUS4

### FEATURES:

- Intended for Task Lighting, Patient Rooms, Nurse Stations, Desk Stations, Offices, Research Facilities, Laboratories, Display Cases, and more
- Available in three sizes: 2ft, 3ft, 4ft
- Easy installation with keyhole slots
- White antimicrobial finish standard
- This product was Made in America and complies with the Buy American Act requirements



### RELATED PRODUCTS:

- [StarMed MUS Undercabinet Quick Ship Ordering Options](#)
- [High Abuse MUSCON Undercabinet](#)

MUS4



### SPECIFICATIONS

**CONSTRUCTION:** 20 gauge formed cold rolled steel housing with continuous seam welds and ground smooth. Aluminum option available.

**LENS:** .125 Prismatic Acrylic.

**LED:** Available in three color temperatures 3000°K, 3500°K and 4000°K with maximum 3-step MacAdam variation allowance. Other color temperatures available, consult factory. Minimum 80 CRI standard.

**ELECTRICAL:** 0-10V dimming available with 10-100% range. Must specify dimming under options.

**FINISH:** White antimicrobial powder coat finish following multistage iron phosphate pretreatment.

**INSTALLATION:** Surface installation. Keyhole slots for easy installation. Mounting screws are not provided.

**WARRANTY:** Limited five (5) year warranty.

**LABEL:** Fixture is certified to UL standards by Intertek Testing Laboratory for Damp Location.

# STARMED MUS UNDERCABINET SERIES

## MUS2/MUS3/MUS4

### ORDERING INFORMATION

EXAMPLE: MUS2-HC-L135-A-UN

SERIES	SIZE*	HOUSING	LUMEN OUTPUT*	COLOR TEMP.	LENS
MUS			L1		A

2 = 2ft.	HC = 20Ga. CRS Painted	L1 = Standard	30 = 3000°K	A = .125 Prismatic Acrylic
3 = 3ft.	HA = 16Ga. Alum. Painted		35 = 3500°K	
4 = 4ft.		*Subject to change. Performance data on page 3.	40 = 4000°K	

\*Nominal Size.  
 Dimensional Data on  
 Page 3.

VOLTAGE	OPTIONS

12 = 120V	DM = 0-10V dimming with 10-100% range
27 = 277V	FZ1 = Fuse (120V)
34 = 347V	FZ2 = Fuse (277V)
UN = Universal (120V-277V)	RM = Row Mount (consult factory)
	RS = Rocker Switch (120V)
	CO = Convenience Outlet (120V)
	OC = Occupancy Sensor

### PERFORMANCE DATA\*

\*Data is with 80 CRI chip. LEDs are frequently updated therefore values may change without notice.

MODEL	OUTPUT	COLOR TEMP.	LUMENS DELIVERED	EFFICACY (lm/W)	INPUT POWER (W)
MUS2	L1 = Standard	4000°K	1250	100	12
MUS3	L1 = Standard	4000°K	1875	100	18
MUS4	L1 = Standard	4000°K	2500	100	25

This product was Made in America and complies with the Buy American Act requirements. Specifications and dimensions are subject to change without notice. For additional options and dimensional details, please consult your New Star Lighting representative.

# STARMED MUS UNDERCABINET SERIES

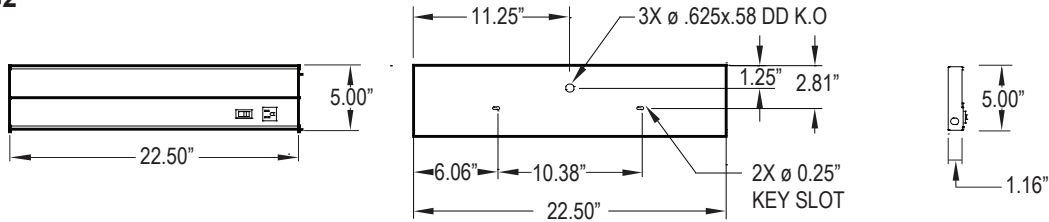
MUS2/MUS3/MUS4



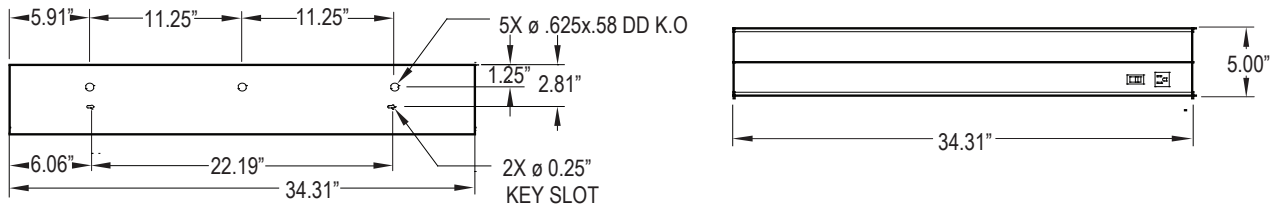
## DIMENSIONAL DATA

Fixture weight varies and is dependent upon chosen specifications. Consult factory for additional information. Average weight of the MUS2 is 4lb. Average weight of the MUS3 is 6lb. Average weight of the MUS4 is 8lb.

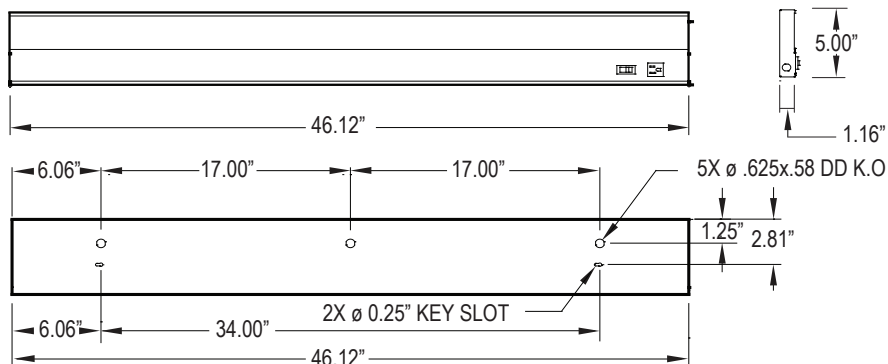
### MUS2



### MUS3



### MUS4



This product was Made in America and complies with the Buy American Act requirements. Specifications and dimensions are subject to change without notice. For additional options and dimensional details, please consult your New Star Lighting representative.