

NSR SERIES LED

NSRO/NSRC/NSRE

SPECIFICATION FEATURES

HOUSING: One-piece marine grade die-cast aluminum.

GUARD: Molded from UV-stabilized polycarbonate.

LENS: Polycarbonate injection molded lens with radial prisms to provide superior illumination. Optional ribbed clear prismatic or ribbed opal lens.

LED: Available in three color temperatures 3500°K, 4000°K and 5000°K. 19.2W on 4 LED modules.

REFLECTOR: Aluminum reflector to serve as heat sink and unitized with electrical components.

FASTENERS: Tamper resistant Torx head screws.

FINISH: Extremely durable oven baked polyester powder coat following a 5 stage iron phosphate pre-treatment in black. Custom color available.

GASKET: One piece die cut black EDPM foam rubber with adhesive backing to affix to housing. Extruded and spliced EDPM ribbed rubber gasket for lens.



APPLICATIONS: VR Architectural Settings, Public Areas, Corridors, Stairways, Underpasses, Parking Garages, Restrooms, Lobbies, Schools, and more.

MOUNTING: J-Box knock out and level bar for quick and easy installation.

LABEL: Fixture is certified to UL standards by Intertek Testing Laboratories.



ORDERING INFORMATION

Example: NSROS-40-RF-UN-BK

SERIES	STYLE	DEPTH	LAMP TYPE	LENS	VOLTAGE
NSR	O = Open C = Cross E = Eyelid	S = Shallow (4.00") M = Medium (6.50")	35 = 3500°K 40 = 4000°K 50 = 5000°K	RC = Ribbed Clear Poly RF = Ribbed Opal Lens	12 = 120V 27 = 277V UN = Universal (120V-277V)

*Dimensional data on page 2.

FINISH	OPTIONS
BK = Black CC = Custom Color	EML = Emergency Battery* (Remote) AH = Allen Head screws (with center pin) TH = Torx Head screws



**NSR OPEN
(NSRO)**



**NSR CROSS
(NSRC)**



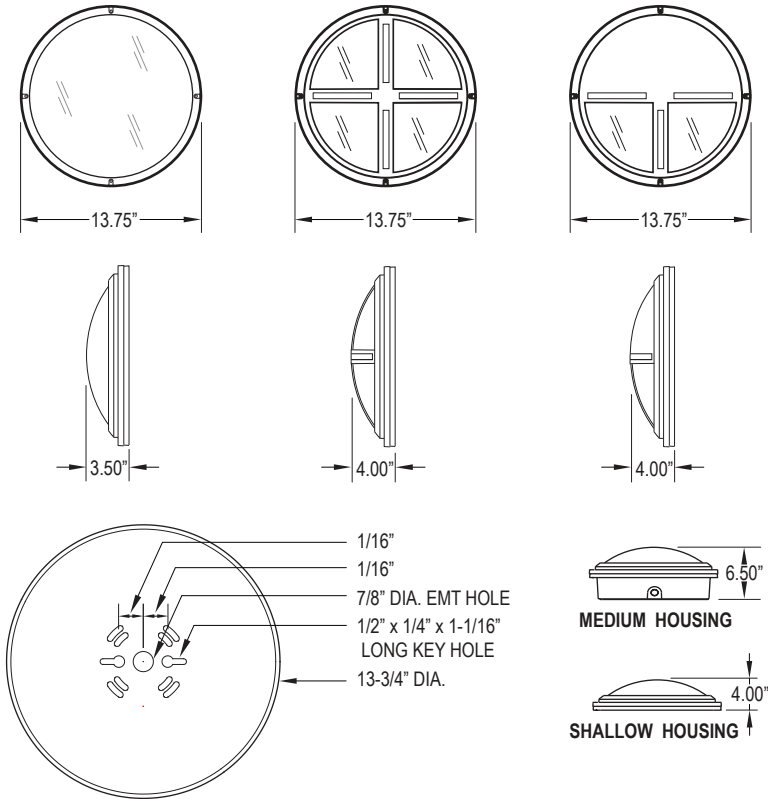
**NSR EYE LID
(NSRE)**

NSR SERIES LED

NSRO/NSRC/NSRE



DIMENSIONAL DATA



Notes:
 Specifications and Dimensions are subject to change without notice.
 For additional options and dimensional details please consult your New Star Lighting Representative.