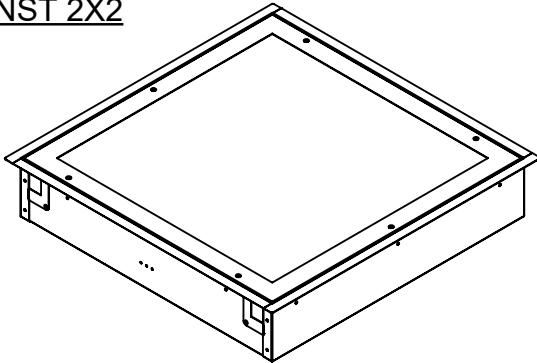


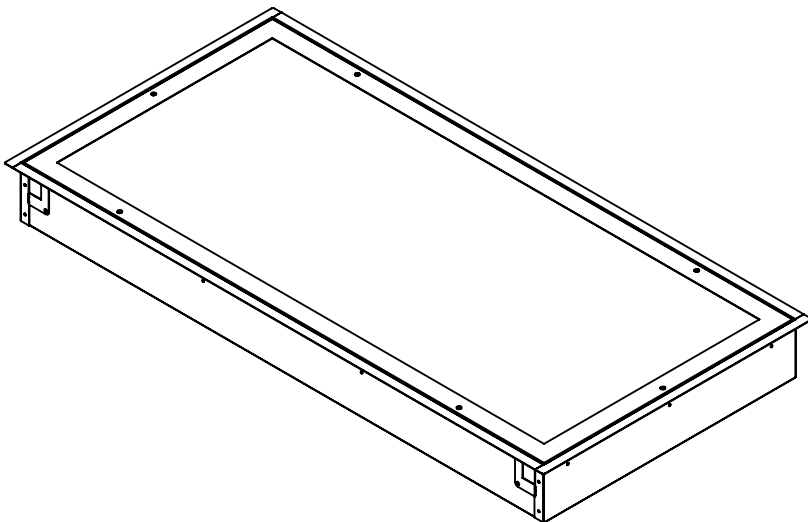
IMPORTANT SAFE GUARDS:

- THIS PRODUCT MUST BE INSTALLED IN ACCORDANCE WITH THE APPLICABLE INSTALLATION CODE BY A PERSON FAMILIAR WITH THE CONSTRUCTION AND OPERATION OF THE PRODUCT AND THE HAZARDS INVOLVED.
- DISCONNECT POWER BEFORE BEGINNING INSTALLATION.
- FIXTURE MUST BE INSTALLED IN COMPLIANCE WITH THE NATIONAL ELECTRIC CODE AND ANY LOCAL CODES.
- TO BE INSTALLED ONLY BY A QUALIFIED ELECTRICIAN.
- PROPER GROUNDING IS REQUIRED TO INSURE PERSONAL SAFETY.
- READ ALL FIXTURE MARKINGS AND LABELS TO ENSURE CORRECT INSTALLATION OF FIXTURE.
- RISK OF FIRE, USE A MINIMUM OF 90C SUPPLY CONNECTORS.

NST 2X2

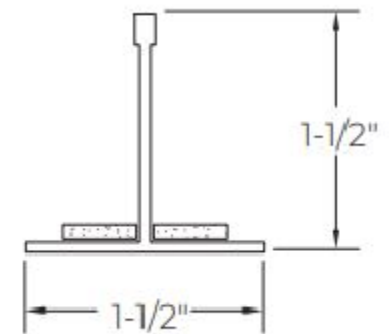
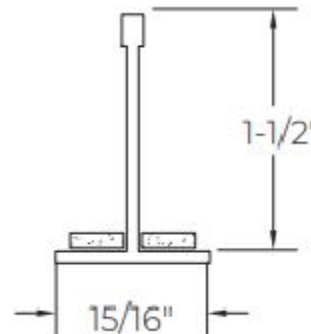


NST 2X4



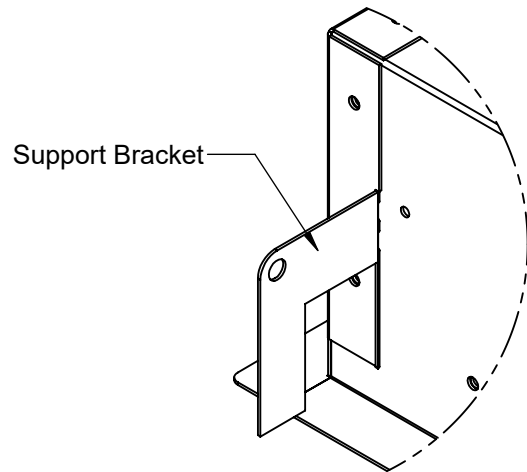
GRID COMPATIBILITY:

- Spaced at 1x2 - 12" x 24" Center to Center
- Spaced at 1x4 - 12" x 48" Center to Center
- Spaced at 2x2 - 24" x 24" Center to Center
- Spaced at 2x4 - 24" x 48" Center to Center

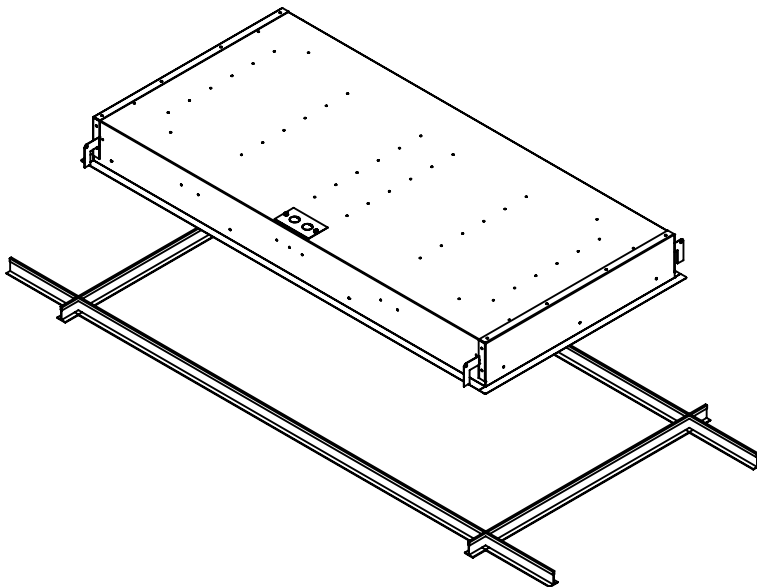


INSTALLATION INSTRUCTIONS:

1. Bend (4) support brackets away from housing



2. Raise fixture into grid ceiling



3. Center fixture on grid, remove Access Panel Cover and make electrical connections

4. Replace Access Panel Cover

