

PROJECT: _____
 TYPE: _____
 PRODUCT: _____
 APPROVED BY: _____



51HB Series

PRODUCT FEATURES

- Intended for Apartment Buildings, School Campuses, Public Housing Complexes, Transportation Terminals, Stairwells, Locker Rooms, and more
- Surface installation. Hardware by others
- This product is Made in America and complies with the Buy American Act and Build America, Buy America Act

ORDERING INFORMATION

Example: 51HB4-L340-1C-B-UN



51HB	4				
Series	Size 4 = 4ft *Nominal Size. Dimensional Data on Page 2.	Lumen Output* L2 = Standard L3 = Medium L4 = High CL = Custom Lumen Output** *Subject to change. Performance Data on Page 2. **Must be specified at time of quote. Must not exceed fixture maximum output. Must specify "DMI" if selecting dimming.	Color Temp. 35 = 3500K 40 = 4000K 50 = 5000K	Circuits IC = 1 Circuit 2C = 2 Circuits* *For L3 lumen output only.	Lens B = .125 Prismatic Poly. C = .156 Prismatic Poly. D = .187 Prismatic Poly.

Voltage 12 = 120V 27 = 277V UN = Universal	Options FZ1 = Fuse (120V) FZ2 = Fuse (277V) SS = Stainless Steel Housing (Brushed finish) EL1 = Emerg. Battery LED 10W* EL2 = Emerg. Battery LED 20W* WL = Wet Location (under covered ceiling) AH = Allen Head screws with center pin reject * Consult factory for the CA Title 24 options. If stored, batteries should be fully recharged every six months and kept between 0°C-25°C to maintain optimal battery capacity.
--	---

SPECIFICATIONS

CONSTRUCTION: 16-Gauge cold rolled steel internally reinforced to provide double wall thickness at ends and corners.

LENS: .125" Clear prismatic UV-stabilized polycarbonate diffuser.

LED: Available in three color temperatures: 3500K, 4000K, and 5000K with maximum 3-step MacAdam variation allowance. Other color temperatures available, consult factory.

ELECTRICAL: 0-10V Dimming available with 1-100% range.

FASTENERS: Tamper resistant Torx® head screws with center pin reject.

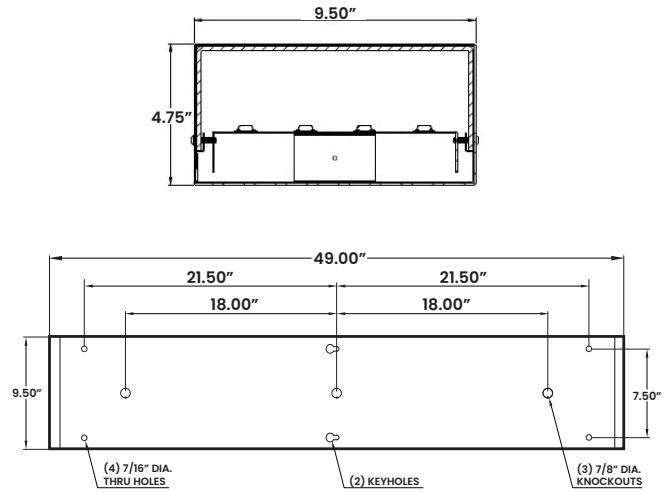
FINISH: White powder coat finish following multistage iron phosphate pretreatment.

INSTALLATION: Surface installation. Hardware by others.

WARRANTY: New Star Promise.

LABEL: Fixture is certified to UL standards. Suitable for Damp locations.

DIMENSIONAL DATA



The 51HB Series is covered by our New Star Promise.

Our promise means we will repair or replace any of our High Abuse or Vandal-Resistant architectural luminaires when installed according to our instructions for the life of the original installation if the fixture should fail due to physical abuse*.

*Damage caused by gunfire and chemical reactions is not covered by the New Star Promise.

PERFORMANCE DATA

*LEDs are frequently updated therefore values may change without notice.

MODEL	OUTPUT	COLOR TEMP.	LUMENS DELIVERED	EFFICACY (lm/w)	INPUT POWER (w)
51HB4	L2 = Standard	4000K	5000	100	50
	L3 = Medium	4000K	7500	100	75
	L4 = High	4000K	9000	90	100