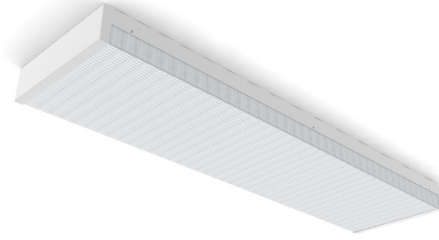


# 51HD SERIES: QUICK SHIP

PROJECT: \_\_\_\_\_  
 TYPE: \_\_\_\_\_  
 PRODUCT: \_\_\_\_\_  
 APPROVED BY: \_\_\_\_\_



51HD

## PRODUCT FEATURES

- Intended for Apartment Buildings, School Campuses, Public Housing Complexes, Transportation Terminals, Utility Corridors, Hotels, Locker Rooms, and more
- 10 Day Quick Ship for orders under 50 fixtures. Consult factory for large quantities or additional fixture options
- Surface mount installation
- This product was Made in America and complies with the Buy American Act requirements

## ORDERING INFORMATION

Example: 51HD4-L2351C-B-12-QS



51HD4				
<b>Series</b>	<b>Lumen Output*</b> L2 = Standard L4 = High  *Subject to change. Performance Data on Page 3.	<b>Color Temp.</b> 35 = 3500K 40 = 4000K	<b>Circuits</b> 1C = 1 Circuit 2C = 2 Circuits*  *Refers to inboard/outboard wiring	<b>Lens</b> B = .125 Prismatic Poly. C = .156 Prismatic Poly. D = .187 Prismatic Poly.

		QS
<b>Voltage</b> 12 = 120V 27 = 277V UN = Universal (120V-277V)	<b>Options</b> FZ1 = Fuse (120V) FZ2 = Fuse (277V) EL1 = Emergency Battery LED Low (1100-1250lm)* EL2 = Emergency Battery LED Low (1900-2000lm)* WL = Wet Location (Covered Ceiling Only) AH = Allen Head Screw with Center Pin AM = Antimicrobial Paint SD2 = Step Dim. Module (50-100%) SD3 = Step Dim. Module (30-70-100%) WP = 6ft. Flex Whip. Supply wires included only otherwise specified	<b>Quick Ship</b> QS = Quick Ship



**New Star Lighting**

2225 W Pershing Rd, Chicago, IL 60609  
 (773) 847-1400  
 www.newstarlighting.com

Specifications and dimensions are subject to change without notice. For additional options and dimensional details, please consult your New Star Lighting representative.

© 2024, New Star Lighting. All rights reserved. Unauthorized duplication or distribution is prohibited.

# 51HD SERIES: QUICK SHIP

## SPECIFICATIONS

**Housing:** 16-Gauge cold rolled steel internally reinforced to provide double wall thickness at ends and corners.

**LENS:** .125" Clear prismatic UV-stabilized polycarbonate diffuser.

**LED:** Available in three color temperatures: 3500K, 4000K, and 5000K with maximum 3-step MacAdam variation allowance. Other color temperatures available, consult factory.

**ELECTRICAL:** 0-10V dimming available with 1-100% range.

**REFLECTOR:** Cold rolled steel, removable and unitized with all electrical components for easy installation and maintenance.

**FASTENERS:** Tamper resistant Torx® head fasteners with center pin reject.

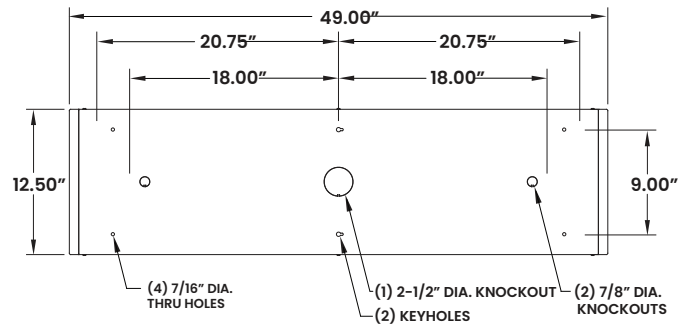
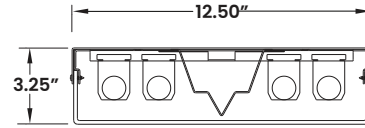
**FINISH:** White powder coat finish following multistage iron phosphate pre-treatment.

**WARRANTY:** New Star Promise.

**INSTALLATION:** Surface installation. Hardware by others.

**LABEL:** Fixture is certified to UL standards for Damp Locations.

## DIMENSIONAL DATA



The 51HD Quick Ship Series is covered by our New Star Promise.

Our promise means we will repair or replace any of our High Abuse or Vandal Resistant architectural luminaires when installed according to our instructions for the life of the original installation if the fixture should fail due to physical abuse.\*

\*Exclusions to the New Star Promise are gunfire and chemical reaction

# 51HD SERIES: QUICK SHIP

## PERFORMANCE DATA

\*Data is with 80 CRI chip. LEDs are frequently updated therefore values may change without notice.

MODEL	OUTPUT	COLOR TEMP.	LUMENS DELIVERED	EFFICACY (lm/w)	INPUT POWER (W)
51HD4	L2 = Low	4000K	5500	110	50
	L4 = High	4000K	11000	110	100



### New Star Lighting

2225 W Pershing Rd, Chicago, IL 60609  
(773) 847-1400  
www.newstarlighting.com

Specifications and dimensions are subject to change without notice. For additional options and dimensional details, please consult your New Star Lighting representative.

© 2024, New Star Lighting. All rights reserved. Unauthorized duplication or distribution is prohibited.