

PROJECT: _____
 TYPE: _____
 PRODUCT: _____
 APPROVED BY: _____

PRODUCT FEATURES

- Intended for Apartment Buildings, School Campuses, Public Housing Complexes, Transportation Terminals, Utility Corridors, Hotels, Locker Rooms, and more.
- Surface Corner Mount installation
- This product is Made in America and complies with the Buy American Act requirements



51HR

ORDERING INFORMATION

Example: 51H4R-L1-351C-B-12



51H				
Series	Nominal Size* 4R = 4ft 8R = 8ft <small>*Nominal Size. Dimensional Data on Page 2.</small>	Lumen Output* L1 = Standard L2 = High <small>*Subject to change. Performance Data on Page 2.</small>	Color Temp. 35 = 3500K 40 = 4000K 50 = 5000K	Circuits 1C = 1 Circuit 2C = 2 Circuits* <small>*Refers to Inboard/Outboard control.</small>

Lens B = .125 Prismatic Poly. C = .156 Prismatic Poly. D = .187 Prismatic Poly.	Voltage 12 = 120V 27 = 277V 34 = 347V UN = Universal (120V-277V)	Options FZ1 = Fuse (120V) FZ2 = Fuse (277V) SS = Stainless Steel Housing (Brushed finish). EL1 = Emerg. Batt. LED 10W EL2 = Emerg. Batt. LED 20W WL = Wet Location (under covered ceiling) AH = Allen Head screws with center pin reject
---	---	--

SPECIFICATIONS

CONSTRUCTION: 16-Gauge cold rolled steel internally reinforced to provide double wall thickness at ends and corners.

LENS: 125" Clear prismatic UV-stabilized polycarbonate diffuser.

LED: Available in three color temperatures: 3500K, 4000K, and 5000K with maximum 3-step MacAdam variation allowance. Other color temperatures available, consult factory.

ELECTRICAL: 0-10V Dimming available with 1-100% range.

REFLECTOR: Cold rolled steel. Removable and unitized with all electrical components for easy installation and maintenance.

FASTENERS: Tamper resistant Torx® head screws with center pin reject.

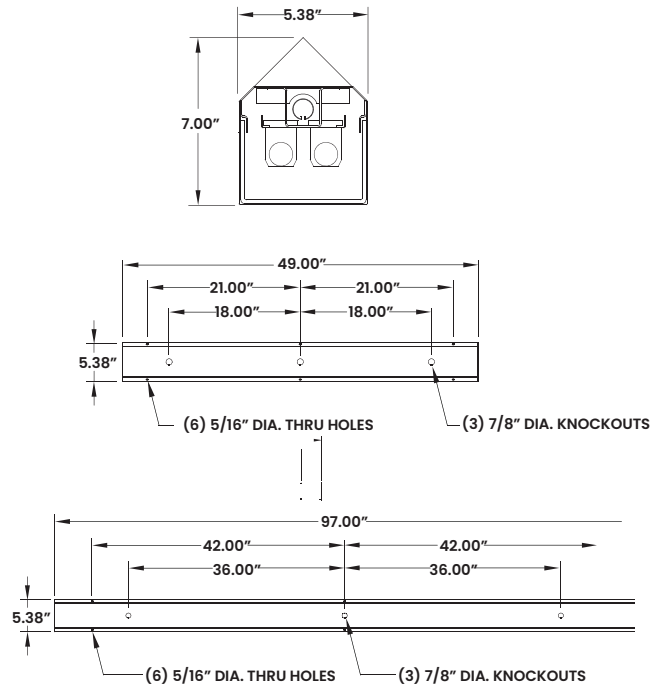
FINISH: White powder coat finish following multistage iron phosphate pre-treatment.

WARRANTY: New Star Promise.

MOUNTING: Surface Corner Mount installation. Hardware by others.

LABEL: Fixture is certified to UL standards for Damp locations.

DIMENSIONAL DATA



The 51HR Series is covered by our New Star Promise.

Our promise means we will repair or replace any of our High Abuse or Vandal Resistant architectural luminaires when installed according to our instructions for the life of the original installation if the fixture should fail due to physical abuse.*

*Exclusions to the New Star Promise are gunfire and chemical reactions

PERFORMANCE DATA

MODEL	OUTPUT	COLOR TEMP.	LUMENS DELIVERED	EFFICACY (lm/W)	INPUT POWER (W)
51H4R	L1 = Standard	4000K	2750	110	25
	L2 = High	4000K	5500	110	50
51H8R	L1 = Standard	4000K	5500	110	50
	L2 = High	4000K	11000	110	100