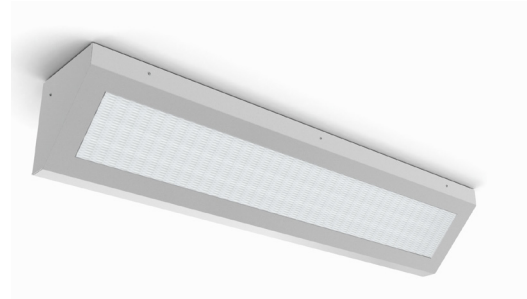


PROJECT: _____
 TYPE: _____
 PRODUCT: _____
 APPROVED BY: _____



55M

PRODUCT FEATURES

- Intended for Correctional, High Abuse, Detention Centers, Manufacturing, Minimum/Maximum Security, Public Areas, Public Housing, Warehouses, and more
- Fixture is certified to UL standards by Intertek Testing Laboratory. Wet Location optional
- This product is Made in America and complies with the Buy American Act requirements

ORDERING INFORMATION

Example: 55M1-B-L2351C-0/A-UN



55M					
Series	Nominal Size	Housing	Lumen Output*	Color Temp.	Circuits
	1 = 1ft 2 = 2ft 4 = 4ft <small>*Nominal size. Dimensional Data on Page 2.</small>	B = 14Ga. CRS (Painted) C = 16Ga. CRS (Painted) D = 18Ga. CRS (Painted) E = 14Ga. SS (Brushed) F = 16Ga. SS (Brushed) G = 18Ga. SS (Brushed) H = 14Ga. SS (Painted) J = 16Ga. SS (Painted) K = 18Ga. SS (Painted)	55M1-55M2 L2 = 2 Row (25W) L3 = 3 Row (37.5W) 55M4 L2 = 2 Row (50W) L3 = 3 Row (75W) <small>*Subject to change. Performance Data on Page 3.</small>	35 = 3500K 40 = 4000K 50 = 5000K	1 = 1 Circuit 2 = 2 Circuits

Outer Lens 0 = No Lens A = .125 Clear Poly. B = .156 Clear Poly. 1 = .187 Clear Poly. 2 = .250 Clear Poly. 3 = .375 Clear Poly. 4 = .500 Clear Poly. 5 = .187 Clear Temp. Glass 6 = .250 Clear Temp. Glass 7 = .375 Clear Temp. Glass* 8 = .500 Clear Temp. Glass* 9 = .750 Clear Temp Glass* <small>*Must use with a 12Ga. or 14Ga. Frame.</small>	Inner Lens A = .125 Prismatic Acrylic B = .125 Prismatic Poly. C = .156 Prismatic Poly. D = .187 Prismatic Poly. F = .156 Prismatic Acrylic G = .140 DR Acrylic LC3 = .125 White Frosted Poly.	Voltage 12 = 120V 27 = 277V 34 = 347V UN = Universal (120V-277V)	Accessory FZ = Fuse* LN = LED Night Light** UV = .005 UV Absorbing Overlay AH = Allenhead Screws with center pin reject <small>*Cannot use with UN voltage **Integrated switch allows light levels at 100%, 70%, 40% and 10%.</small>
---	---	---	--

SPECIFICATIONS

HOUSING: Die-formed, seam welded, and ground smooth (specify material and gauge). Incorporates a removable reflector unitized with all electrical components for easy installation and maintenance.

BACKPLATE: Die-formed with contraband drop slot and embossed mounting holes (materials and gauge to match housing). Security caulking between ceiling and fixture is not required with this back plate design.

HINGE: 16-Gauge full length continuous, staked piano hinge, with welded ends. to prevent removal (material to match housing).

LENS: Lens per specification (see options) and secured by "Z" retainers with weld studs spaced six inches apart for maximum strength.

LED: Available in three color temperatures 3500K, 4000K and 5000K. Other color temperatures available, consult factory.

FASTENERS: Tamper resistant Torx® head screws with center pin reject. Optional Phillips screws available.

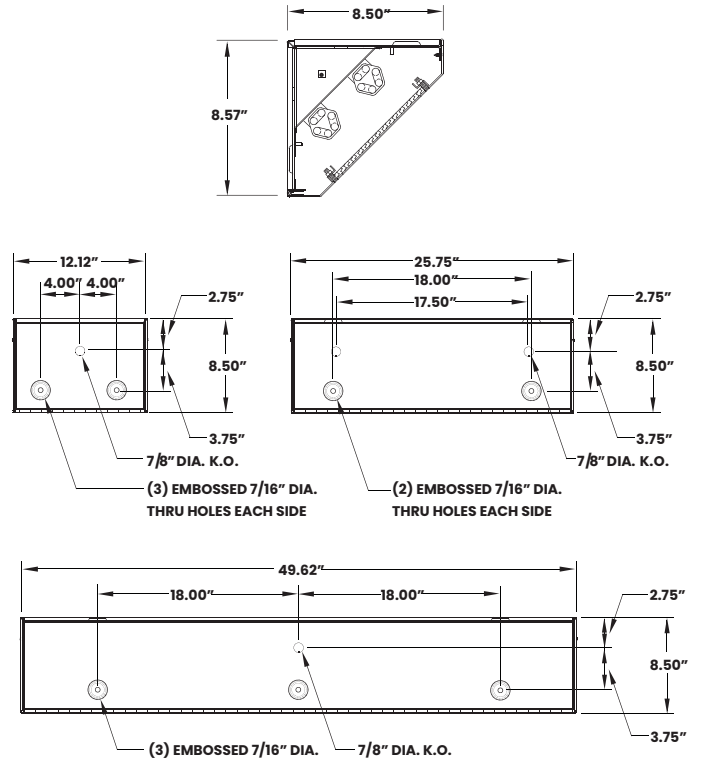
FINISH: White powder coat finish following multistage iron phosphate pretreatment.

GASKET: Black neoprene gasket around door frame to prevent light leaks.

WARRANTY: New Star Promise.

LABEL: Fixture is certified to UL standards by Intertek Testing Laboratory.

DIMENSIONAL DATA



The 55S Series is covered by our New Star Promise.

Our promise means we will repair or replace any of our High Abuse or Vandal Resistant architectural luminaires when installed according to our instructions for the life of the original installation if the fixture should fail due to physical abuse.*

*Exclusions to the New Star Promise are gunfire and chemical reactions

PERFORMANCE DATA

*LEDs are frequently updated therefore values may change without notice.

MODEL	# ROWS	LUMENS DELIVERED	EFFICACY (lm/W)	INPUT POWER (W)
55M22	2	2750	110	25
	3	4125	110	37.5
55M24	2	5500	110	50
	3	8250	110	75



New Star Lighting

2225 W Pershing Rd, Chicago, IL 60609
(773) 847-1400

www.newstarlighting.com

Specifications and dimensions are subject to change without notice. For additional options and dimensional details, please consult your New Star Lighting representative.

© 2024, New Star Lighting. All rights reserved. Unauthorized duplication or distribution is prohibited.