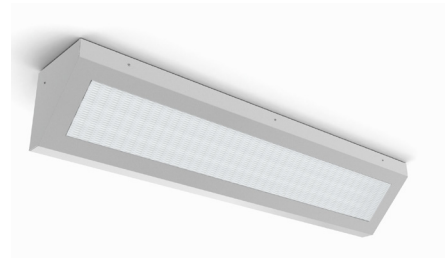


PROJECT: _____
 TYPE: _____
 PRODUCT: _____
 APPROVED BY: _____



55M Series

PRODUCT FEATURES

- Intended for Minimum to Supermax Correctional Facilities, Detention Centers, Public Housing, Athletic Facilities, and more
- 8.5" x 1', 2' or 4' Corner clamshell housing with contraband drop slot between ceiling and back of luminaire
- Inner and outer lens secured by "Z" bracket retention system with 6" stud spacing for maximum strength
- This product is Made in America and complies with the Buy American Act requirements (BAA)

ORDERING INFORMATION

Example: 55M1-B-L235-1C-0/A-UN



55M					
Series	Size* 1 = 1ft 2 = 2ft 4 = 4ft *Nominal Size. Dimensional Data on Page 2.	Housing A = 12Ga. CRS Painted B = 14Ga. CRS Painted C = 16Ga. CRS Painted D = 18Ga. CRS Painted E = 14Ga. SS Brushed F = 16Ga. SS Brushed G = 18Ga. SS Brushed H = 14Ga. SS Painted J = 16Ga. SS Painted K = 18Ga. SS Painted	Lumen Output* L2 = Low L3 = High CL = Custom Lumen Output** *Subject to change. Performance Data on Page 3. **Must be specified at time of quote. Must not exceed fixture maximum output.	Color Temp. 35 = 3500K 40 = 4000K 50 = 5000K	Circuits 1C = 1 Circuit 2C = 2 Circuits* *Refers to Inboard/Outboard control. N/A with 55M1

Outer Lens 0 = No Lens A = .125 Clear Poly. B = .156 Clear Poly. 1 = .187 Clear Poly. 2 = .250 Clear Poly. 3 = .375 Clear Poly. 5 = .187 Clear Temp. Glass 6 = .250 Clear Temp. Glass 7 = .375 Clear Temp. Glass* 8 = .500 Clear Temp. Glass* 9 = .750 Clear Temp. Glass* *Must use with 12Ga. or 14Ga. frame	Inner Lens A = .125 Prismatic Acrylic B = .125 Prismatic Poly. C = .156 Prismatic Poly. D = .187 Prismatic Poly. F = .156 Prismatic Acrylic G = .140 DR Acrylic LC3 = .125 White Frosted Poly.	Voltage 12 = 120V 27 = 277V 34 = 347V UN = Universal (120V - 277V)	Options FZ1 = Fuse (120V) FZ2 = Fuse (277V) LN = LED Night Light* AH = Allen head screws with center pin reject PR = Program Rapid Start Ballast UV = .005 UV Absorbing Overlay PF = Plaster Frame and Yolk CB = Cross Bar EL1 = Emerg. Battery LED 10W** EL2 = Emerg. Battery LED 20W** *3500K, Non-dimming. Integrated switch allows light levels at 100%, 70%, 40%, and 10% levels. **If stored, batteries should be fully recharged every six months and kept between 0°C-25°C to maintain optimal battery capacity.
--	--	---	---

SPECIFICATIONS

HOUSING: Die-formed, seam welded, and ground smooth surface corner clamshell design in cold rolled steel or stainless-steel. Incorporates a removable reflector unitized with all electrical components for easy installation and maintenance.

BACKPLATE: Die-formed with contraband drop slot and embossed mounting holes (material and gauge to match housing). Security caulking between ceiling and fixture is not required with this backplate design.

HINGE: 16-Gauge full length continuous, staked piano hinge with welded ends to prevent removal (material to match housing).

LENS: Outer and Inner lens options secured by "Z" retainers with weld studs spaced six inches apart for maximum strength.

LED: Available in three color temperatures 3500K, 4000K, and 5000K with maximum 3-step MacAdam variation allowance. Other color temperatures available, consult factory. Minimum 50,000 hours with 70% lumen maintenance in a 25°C ambient temperature, compliant with IES LM-80 testing standards.

ELECTRICAL: 120-277VAC or 347VAC, 50/60HZ electrical input high power factor electronic, constant current driver (<20% THD, >0.95 PF). Standard 0-10V Dimming with 1-100% range.

FASTENERS: Tamper-resistant Torx® head fasteners.

FINISH: White powder coat finish following multi-stage iron phosphate pretreatment.

GASKET: Black neoprene gasket around doorframe to prevent light leaks.

MOUNTING: Surface installation.

WARRANTY: New Star Promise.

LABEL: Fixture is certified to UL Standards for Wet Locations. This product is Made in America and complies with the Buy American Act requirements (BAA).

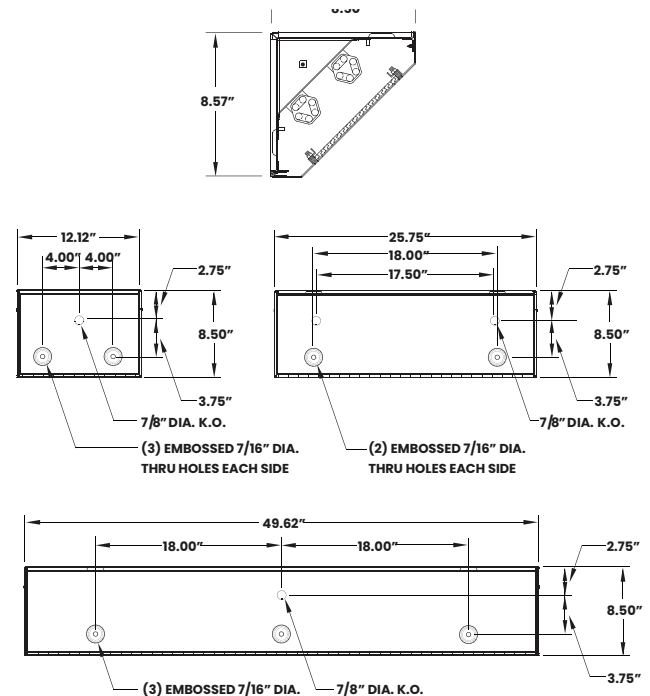


The 55M LED Series is covered by our New Star Promise.

Our promise means we will repair or replace any of our High Abuse or Vandal-Resistant architectural luminaires when installed according to our instructions for the life of the original installation if the fixture should fail due to physical abuse*.

*Damage caused by gunfire and chemical reactions is not covered by the New Star Promise.

DIMENSIONAL DATA



PERFORMANCE DATA

*Data is with 80 CRI chip at 4000K. LEDs are frequently updated therefore values may change without notice.

MODEL	OUTPUT	COLOR TEMP.	LUMENS DELIVERED	EFFICACY (lm/w)	INPUT POWER (W)
55M1	L2 = Low	4000K	1440	115	12.5
	L3 = High	4000K	XX	115	XX
55M2	L2 = Low	4000K	2750	115	25
	L3 = High	4000K	4125	115	37.5
55M4	L2 = Low	4000K	5500	115	50
	L3 = High	4000K	8250	115	75



New Star Lighting

2225 W Pershing Rd, Chicago, IL 60609

(773) 847-1400

www.newstarlighting.com

Specifications and dimensions are subject to change without notice. For additional options and dimensional details, please consult your New Star Lighting representative.

© 2024, New Star Lighting. All rights reserved. Unauthorized duplication or distribution is prohibited.