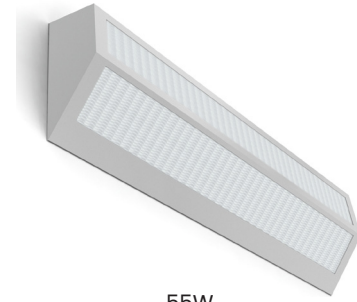


# 55W SERIES

PROJECT: \_\_\_\_\_  
 TYPE: \_\_\_\_\_  
 PRODUCT: \_\_\_\_\_  
 APPROVED BY: \_\_\_\_\_



55W

## PRODUCT FEATURES

- Intended for Supermax Confinement, Psychiatric Wards, Public Housing, Detention Centers, Transportation, Athletic Facilities, and more
- Corner Surface fixture available in 2ft and 4ft
- This product is Made in America and complies with the Buy American Act requirements

## ORDERING INFORMATION

Example: 55W2-A-L2401-A/0-UN



55W				
<b>Series</b>	<b>Nominal Size</b> 2 = 2ft 4 = 4ft  *Nominal size. Dimensional Data on Page 2.	<b>Housing</b> B = 14Ga. CRS (Painted) C = 16Ga. CRS (Painted) D = 18Ga. CRS (Painted) E = 14Ga. SS (Brushed) F = 16Ga. SS (Brushed) G = 18Ga. SS (Brushed) H = 14Ga. SS (Painted) J = 16Ga. SS (Painted) K = 18Ga. SS (Painted)	<b>Lumen Output*</b> 2: L2 = Standard L3 = Medium 4: L2 = Standard L3 = Medium  *Subject to change. Performance Data on Page 3. **L2L for STWL4 only.	<b>Color Temp.</b> 35 = 3500K 40 = 4000K 50 = 5000K

<b>Circuits</b> 1 = 1 Circuit 2 = 2 Circuits	<b>Outer Lens</b> 0 = No Lens A = .125 Clear Poly. B = .156 Clear Poly. 1 = .187 Clear Poly. 2 = .250 Clear Poly. 3 = .375 Clear Poly. 4 = .500 Clear Poly. 5 = .187 Clear Temp. Glass 6 = .250 Clear Temp. Glass 7 = .375 Clear Temp. Glass* 8 = .500 Clear Temp. Glass* 9 = .750 Clear Temp Glass*  *Must use with a 12Ga. or 14Ga. Frame.	<b>Inner Lens</b> A = .125 Prismatic Acrylic B = .125 Prismatic Poly. C = .156 Prismatic Poly. D = .187 Prismatic Poly. F = .156 Prismatic Acrylic G = .140 DR Acrylic LC3 = .125 White Frosted Poly.	<b>Voltage</b> 12 = 120V 27 = 277V 34 = 347V UN = Universal (120V-277V)	<b>Accessory</b> FZ = Fuse* LN = LED Night Light** UV = .005 UV Absorbing Overlay AH = Allenhead Screws with center pin reject DM = 0-10V dimming with 10-100% range.***  *Cannot use with UN voltage **Integrated switch allows light selection at 100%, 70%, 40%, and 10% levels. ***Dimming wires will be extended outside of fixture.
--	--	--	---	--

## SPECIFICATIONS

**HOUSING:** Die-formed, seam welded, and ground smooth cold rolled steel or stainless steel clamshell design. Incorporates a removable reflector unitized with all electrical components for easy installation and maintenance. Clamshell design incorporates a contraband drop slot gap between the ceiling and back of fixture.

**BACKPLATE:** Die-formed with contraband drop slot and embossed mounting holes (material to match housing). Security caulking between ceiling and fixture is not required with this backplate design.

**HINGE:** 16-Gauge full length continuous, staked piano hinge with welded ends to prevent removal (material to match housing).

**LENS:** Outer and Inner lens options secured by "Z" retainers with weld studs spaced six inches apart for maximum strength.

**LED:** Available in three color temperatures 3500K, 4000K and 5000K. Other color temperatures available, consult factory. Standard 0-10V driver provided. Optional dimming function (DM) with 10-100% range.

**FASTENERS:** Tamper resistant Torx® head screws with center pin reject. Optional Phillips screws available.

**FINISH:** White powder coat finish following multistage iron phosphate pretreatment.

**GASKET:** Black neoprene gasket around door frame to prevent light leaks.

**MOUNTING:** Corner Surface installation.

**WARRANTY:** New Star Promise.

**LABEL:** Fixture is certified to UL standards by Intertek Testing Laboratory.

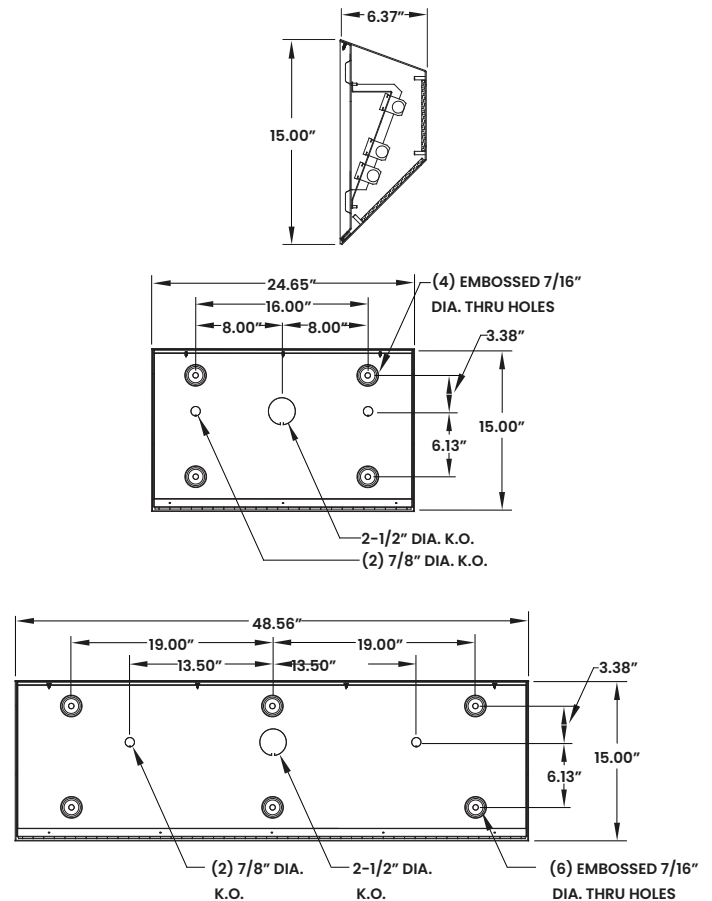


The 55W Series is covered by our New Star Promise.

Our promise means we will repair or replace any of our High Abuse or Vandal Resistant architectural luminaires when installed according to our instructions for the life of the original installation if the fixture should fail due to physical abuse.\*

\*Exclusions to the New Star Promise are gunfire and chemical reactions

## DIMENSIONAL DATA



## PERFORMANCE DATA

\*LEDs are frequently updated therefore values may change without notice.

MODEL	OUTPUT	COLOR TEMP.	LUMENS DELIVERED	EFFICACY (lm/W)	INPUT POWER (W)
55W2	Standard	3500K	2875	115	25
		4000K	3000	120	25
		5000K	3125	125	25
	Medium	3500K	4180	110	38
		4000K	4370	115	38
		5000K	4560	120	38
55W4	Standard	3500K	5750	115	50
		4000K	6000	120	50
		5000K	6250	125	50
	Medium	3500K	8250	110	75
		4000K	8625	115	75
		5000K	9000	120	75

