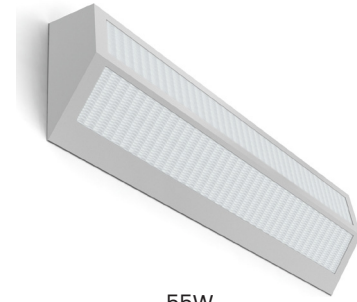


PROJECT: _____
 TYPE: _____
 PRODUCT: _____
 APPROVED BY: _____



55W

PRODUCT FEATURES

- Intended for Supermax Confinement, Psychiatric Wards, Public Housing, Detention Centers, Transportation, Athletic Facilities, and more
- Corner Surface fixture available in 2ft and 4ft
- This product is Made in America and complies with the Buy American Act requirements

ORDERING INFORMATION

Example: 55W2-A-L2401-A/0-UN



55W					
Series	Nominal Size 2 = 2ft 4 = 4ft <small>*Nominal size. Dimensional Data on Page 2.</small>	Housing B = 14Ga. CRS Painted C = 16Ga. CRS Painted D = 18Ga. CRS Painted E = 14Ga. SS Brushed F = 16Ga. SS Brushed G = 18Ga. SS Brushed H = 14Ga. SS Painted J = 16Ga. SS Painted K = 18Ga. SS Painted	Lumen Output* L2 = Low L3 = High <small>*Subject to change. Performance Data on page 3. **Must be specified at time of quote. Must not exceed fixture maximum output.</small>	Color Temp. 35 = 3500K 40 = 4000K 50 = 5000K	Circuits 1 = 1 Circuit 2 = 2 Circuits* <small>*Refers to Inboard/Outboard control.</small>

Outer Lens 0 = No Lens A = .125 Clear Poly. B = .156 Clear Poly. 1 = .187 Clear Poly. 2 = .250 Clear Poly. 3 = .375 Clear Poly. 4 = .500 Clear Poly. 5 = .187 Clear Temp. Glass 6 = .250 Clear Temp. Glass 7 = .375 Clear Temp. Glass* 8 = .500 Clear Temp. Glass* 9 = .750 Clear Temp Glass* <small>*Must use with a 12Ga. or 14Ga. Frame.</small>	Inner Lens A = .125 Prismatic Acrylic B = .125 Prismatic Poly. C = .156 Prismatic Poly. D = .187 Prismatic Poly. F = .156 Prismatic Acrylic G = .140 DR Acrylic LC3 = .125 White Frosted Poly.	Voltage 12 = 120V 27 = 277V 34 = 347V UN = Universal (120V-277V)	Options FZ1 = Fuse (120V) FZ2 = Fuse (277V) LN = LED Night Light* WL = Wet Location (under covered ceiling) AH = Allenhead Screws with center pin reject <small>*3500K. Non-dimming. Integrated switch allows light levels at 100%, 70%, 40% and 10% levels.</small>
---	--	---	---

SPECIFICATIONS

HOUSING: Die-formed, seam welded, and ground smooth two-aperture corner clamshell design in cold rolled steel or stainless steel clamshell design. Incorporates a removable reflector unitized with all electrical components for easy installation and maintenance. Clamshell design incorporates a contraband drop slot gap between the ceiling and back of fixture.

BACKPLATE: Die-formed with contraband drop slot and embossed mounting holes (material to match housing). Security caulking between ceiling and fixture is not required with this backplate design.

HINGE: 16-Gauge full length continuous, staked piano hinge with welded ends to prevent removal (material to match housing).

LENS: Outer and Inner lens options secured by "Z" retainers with weld studs spaced six inches apart for maximum strength.

LED: Available in three color temperatures 3500K, 4000K, and 5000K with maximum 3-step MacAdam variation allowance. Other color temperatures available, consult factory. Minimum 50,000 hours with 70% lumen maintenance in a 25°C ambient temperature, compliant with IES LM-80 testing standards.

ELECTRICAL: 120-277VAC or 347VAC, 50/60HZ electrical input high power factor electronic, constant current driver (<20% THD, >0.95 PF). Standard 0-10V Dimming with 1-100% range.

FASTENERS: Tamper resistant Torx® head screws with center pin reject. Optional Phillips screws available.

FINISH: White powder coat finish following multi-stage iron phosphate pretreatment.

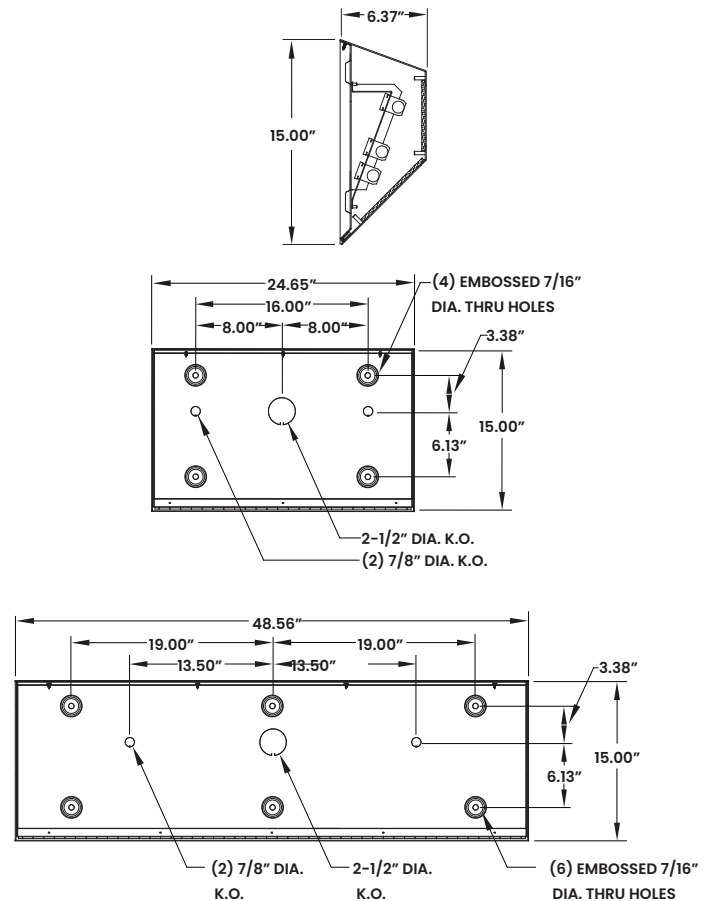
GASKET: Black neoprene gasket around door frame to prevent light leaks.

MOUNTING: Corner Surface installation.

WARRANTY: New Star Promise.

LABEL: Fixture is certified to UL standards. Optional Wet Location. This product is Made in America and complies with the Buy American Act (BAA).

DIMENSIONAL DATA



The 55W Series is covered by our New Star Promise.

Our promise means we will repair or replace any of our High Abuse or Vandal-Resistant architectural luminaires when installed according to our instructions for the life of the original installation if the fixture should fail due to physical abuse*.

*Damage caused by gunfire and chemical reactions is not covered by the New Star Promise.

PERFORMANCE DATA

*LEDs are frequently updated therefore values may change without notice.

MODEL	OUTPUT	COLOR TEMP.	LUMENS DELIVERED	EFFICACY (lm/W)	INPUT POWER (W)
55W2	L2 = Low	3500K	2875	115	25
		4000K	3000	120	25
		5000K	3125	125	25
	L3 = High	3500K	4180	110	38
		4000K	4370	115	38
		5000K	4560	120	38
55W4	L2 = Low	3500K	5750	115	50
		4000K	6000	120	50
		5000K	6250	125	50
	L3 = High	3500K	8250	110	75
		4000K	8625	115	75
		5000K	9000	120	75

