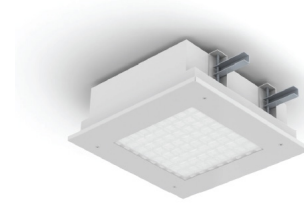


PROJECT: \_\_\_\_\_  
 TYPE: \_\_\_\_\_  
 PRODUCT: \_\_\_\_\_  
 APPROVED BY: \_\_\_\_\_



**PRODUCT FEATURES**

- Intended for Minimum to Supermax Correctional Facilities, Detention Centers, and more
- Die formed, seam welded, and ground smooth cold rolled steel or stainless steel housing
- Tamper-resistant Torx® fasteners with center pin reject
- Antimicrobial polyester powder coat following a multistage iron phosphate pre-treatment
- Fixture is certified to UL Standards by Intertek Testing Laboratory for Wet Locations, covered ceiling mount only. IK10 Listed per IEC60068-2-75
- This product is Made in America and complies with the Buy American Act (BAA), and the Build America, Buy America Act (BABA)



57M Series

**ORDERING INFORMATION**

Example: 57M11-B/B-L140-1C-A/A-UN



57	M	11				
<b>Series</b>	<b>Mounting</b> M = Flange	<b>Nominal Size</b> 11 = 1 x 1  *Nominal Size. Dimensional Data on page 2.	<b>Housing</b> B = 14Ga. CRS Painted C = 16Ga. CRS Painted D = 18Ga. CRS Painted E = 14Ga. SS Mill Finish F = 16Ga. SS Mill Finish G = 18Ga. SS Mill Finish H = 14Ga. SS Painted J = 16Ga. SS Painted K = 18Ga. SS Painted	<b>Frame</b> A = 12Ga. CRS Painted B = 14Ga. CRS Painted C = 16Ga. CRS Painted E = 14Ga. SS Brushed F = 16Ga. SS Brushed H = 14Ga. SS Painted J = 16Ga. SS Painted	<b>Lumen Output*</b> L1 = Standard L2 = High  *Subject to change. Performance Data on Page 2.	<b>Color Temp.</b> 35 = 3500K 40 = 4000K 50 = 5000K
<b>Driver</b> DM = 0-10V dimming with 10-100% range DMI = 0-10V dimming with 1-100% range	<b>Circuits</b> 1C = 1 Circuit 2C = 2 Circuits	<b>Outer Lens</b> 0 = No Lens A = .125 Clear Poly. B = .156 Clear Poly. 1 = .187 Clear Poly. 2 = .250 Clear Poly. 3 = .375 Clear Poly. 4 = .500 Clear Poly. 5 = .187 Clear Temp Glass 6 = .250 Clear Temp Glass 7 = .375 Clear Temp Glass* 8 = .500 Clear Temp Glass* 9 = .750 Clear Temp Glass*  *Must use with 12Ga. or 14Ga. Frame	<b>Inner Lens</b> A = .125 Prismatic Acrylic B = .125 Prismatic Poly. C = .156 Prismatic Poly. D = .187 Prismatic Poly. F = .156 Prismatic Acrylic G = .140 DR Acrylic LC3 = .125 White Frosted Poly.	<b>Voltage</b> 12 = 120V 27 = 277V 34 = 347V UN = Universal (120V-277V)	<b>Options</b> FZ = Fuse* LN = LED Night Light** EL1 = Emerg. Bat. LED Low (Remote)*** UV = .005 UV Absorbing Overlay AH = Allen Head Screws with Center Pin Reject  *Cannot use with UN voltage. **Integrated switch allows light levels at 100%, 70%, 40% and 10%. ***If stored, batteries should be fully recharged every six months and kept between 0°C-25°C to maintain optimal battery capacity.	

**SPECIFICATIONS**

**HOUSING:** Die formed, seam welded, and ground smooth cold rolled steel or stainless steel housing. Incorporates a removable reflector unitized with all electrical components for easy installation and maintenance.

**FRAME:** Die formed one-piece frame with tightly closed corners (material and gauge to match housing).

**HINGE:** 16-Gauge full length continuous staked piano hinge with welded ends to prevent removal (material to match housing).

**LENS:** Outer and inner lens options secured with "Z" retainers with welded studs six inches apart for maximum strength.

**LED:** Available in three color temperatures 3500K, 4000K, and 5000K with maximum 3-step MacAdam variation allowance. Other color temperatures available, consult factory. Minimum 80 CRI standard. 0-10V dimming available with 10-100% range and 1-100% range. Must specify dimming under options.

**FASTENERS:** Tamper-resistant Torx® head fasteners with center pin reject.

**FINISH:** White antimicrobial powder coat finish on exposed surfaces following multistage iron phosphate pre-treatment.

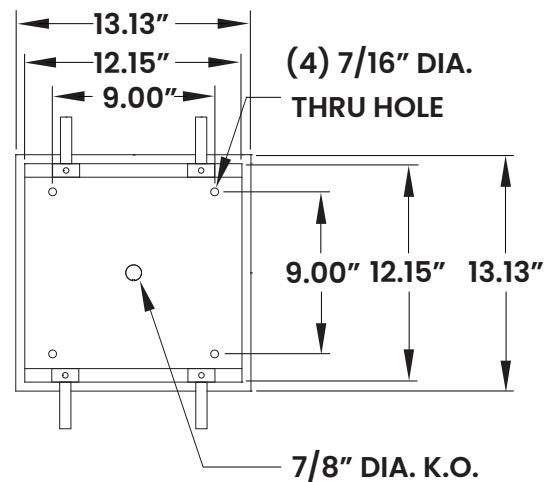
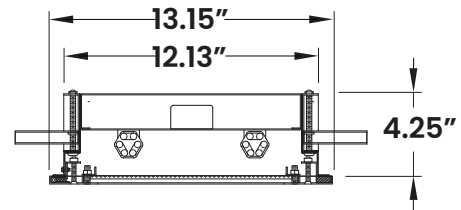
**GASKET:** Black neoprene gasket around door frame to prevent light leaks.

**INSTALLATION:** Easy Flange installation with adjustable 90° swing arm system. Hardware by others.

**WARRANTY:** New Star Promise.

**LABEL:** Fixture is certified to UL standards by Intertek Testing Laboratory for Wet Locations, covered ceiling mount only. IK10 Listed per IEC60068-2-75.

**DIMENSIONAL DATA**



**CEILING CUT-OUT: 12-3/8" x 12-3/8"**



The 57M Series is covered by our New Star Promise.

Our promise means we will repair or replace any of our High Abuse or Vandal-Resistant architectural luminaires when installed according to our instructions for the life of the original installation if the fixture should fail due to physical abuse\*.

\*Damage caused by gunfire and chemical reactions is not covered by the New Star Promise.

**PERFORMANCE DATA**

\*LEDs are frequently updated therefore values may change without notice.

MODEL	OUTPUT	COLOR TEMP.	LUMENS DELIVERED	EFFICACY (lm/W)	INPUT POWER (W)
57M11	Standard	3500K	1438	115	12.5
		4000K	1500	120	12.5
		5000K	1562	1250	12.5
	High	3500K	2090	105	20
		4000K	2185	109	20
		5000K	2280	114	20

