

57S SERIES

PROJECT: _____
 TYPE: _____
 PRODUCT: _____
 APPROVED BY: _____



57S

PRODUCT FEATURES

- Intended for Public Housing Complexes, Stairwells, Parking Garages, Athletic Facilities and more
- Surface Wall Installation
- Fixture is certified to UL standards by Intertek Testing Laboratory for Damp Locations
- This product is Made in America and complies with the Buy American Act requirements

ORDERING INFORMATION

Example: 57S-B-L35-OP-1/B-UN



57S		L		
Series	Housing B = 14Ga. CRS Painted C = 16Ga. CRS Painted D = 18Ga. CRS Painted E = 14Ga. SS Brushed* F = 20Ga. SS Brushed* *N/A with Antimicrobial Finish (AM)	Lumen Output L = LED	Color Temp. 35 = 3500K 40 = 4000K 50 = 5000K LA = Amber	Faceplate OP = Open Face LD = Louver Door* *Lens is installed behind (inside) louver door. N/A with outer lens.

Outer Lens 0 = No lens* A = .125 Clear Poly. B = .156 Clear Poly. 1 = .187 Clear Poly. 2 = .250 Clear Poly. 3 = .375 Clear Poly. 5 = .187 Clear Temp. Glass *Must use with LD louver door option.	Inner Lens B = .125 Prismatic Poly. C = .156 Prismatic Poly.	Voltage 12 = 120V 27 = 277V 34 = 347V UN = Universal (120V-277V)	Options AM = Antimicrobial Finish FZ1 = Fuse (120V) FZ2 = Fuse (277V) AH = Allen Head screws with center reject pin PC = Photocell* *Must specify voltage.
--	---	---	---

SPECIFICATIONS

CONSTRUCTION: Choice of die-formed cold rolled steel or brushed stainless steel housing seam welded and ground smooth. Housing is secured with four (2' fixture) or eight (4' fixture) tamper-resistant stainless steel screws to maximize tight seal against mounting surface.

FACE: Open or louver faceplate for corresponding housing gauge.

LENS: As specified – maximum thickness .375" outer lens, .156" inner lens– see ordering information. Please specify prismatic inner lens and a clear outer lens.

LED: Available in four color temperatures: 3000K, 3500K, 4000K, and 5000K with maximum 3-step MacAdam variation allowance. Other color temperatures available, consult factory.

ELECTRICAL: 0-10V Dimming available with 1-100% range.

FASTENERS: Tamper-resistant Torx® head fasteners with center pin reject.

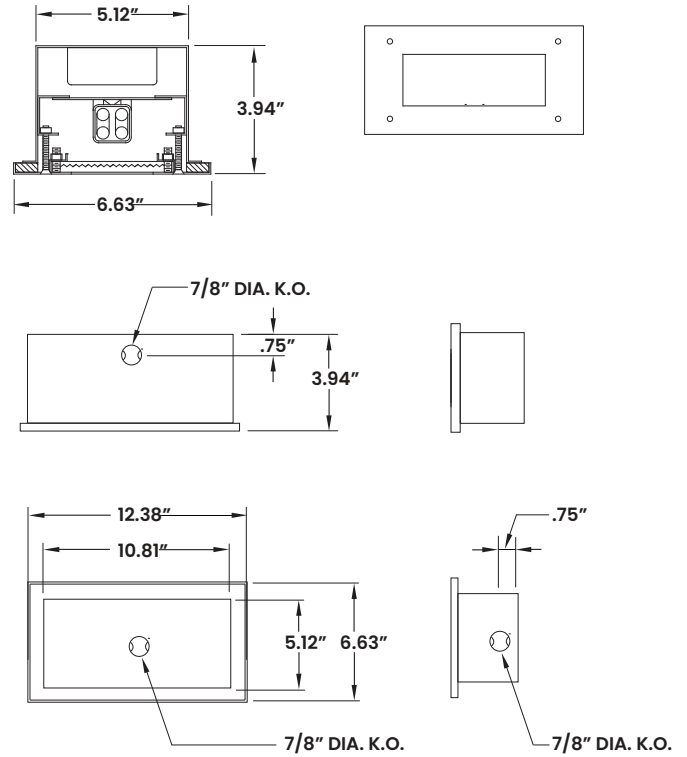
FINISH: White powder coat finish following multistage iron phosphate pre-treatment.

INSTALLATION: Surface wall installation. Hardware by others.

WARRANTY: New Star Promise.

LABEL: Fixture is certified to UL standards by Intertek Testing Laboratory for Damp Locations.

DIMENSIONAL DATA



The 57S Series is covered by our New Star Promise.

Our promise means we will repair or replace any of our High Abuse or Vandal-Resistant architectural luminaires when installed according to our instructions for the life of the original installation if the fixture should fail due to physical abuse*.

*Damage caused by gunfire and chemical reactions is not covered by the New Star Promise.

PERFORMANCE DATA

*LEDs are frequently updated therefore values may change without notice.

MODEL	OUTPUT	COLOR TEMP.	LUMENS DELIVERED	EFFICACY (lm/W)	INPUT POWER (W)
57S	LED	4000K	325	81	4



New Star Lighting

2225 W Pershing Rd, Chicago, IL 60609
(773) 847-1400

www.newstarlighting.com

Specifications and dimensions are subject to change without notice. For additional options and dimensional details, please consult your New Star Lighting representative.

© 2025, New Star Lighting. All rights reserved. Unauthorized duplication or distribution is prohibited.