

620 SERIES

PROJECT: _____
 TYPE: _____
 PRODUCT: _____
 APPROVED BY: _____

PRODUCT FEATURES

- Intended for Minimum to Supermax Correctional Facilities, Detention Centers, Public Housing, Athletic Facilities, and more
- Ceiling or wall surface mount installation
- Red or green legend, optional single or double face
- Fixture is certified to UL standards by Intertek Testing Laboratory for Damp Locations. Optional Wet Location
- This product was Made in America and complies with the Buy American Act (BAA) requirements



620 Series

ORDERING INFORMATION

Example: 620-SF-LED-UN-RW



620		LED			
Series	Face SF = Single Face DF = Double Face	Lamp Type LED = LED Module	Voltage 12 = 120V 27 = 277V 34 = 347V UN = Universal (120V-277V)	Lettering RW = Red Letters GW = Green Letters	Options EM = Emergency Battery* WL = Wet Location *If stored, batteries should be fully recharged every six months and kept between 0°C-25°C to maintain optimal battery capacity.

SPECIFICATIONS

HOUSING: 14-Gauge die-formed, seam welded, and ground smooth cold rolled steel housing. Illumination from bottom of the fixture for added wayfinding.

DOORFRAME: 14-Gauge one-piece die-formed cold rolled steel doorframe, secured with Torx® fasteners.

ELECTRICAL: Long life, high powered white LED system illuminates Red or Green legend. 7W. Optional single face or double face.

LEGEND: Lettering 6" high with .750" stroke. Polycarbonate red or green filter panel. Field selectable chevron inserts.

FINISH: White powder coat finish following multi-stage iron phosphate pretreatment.

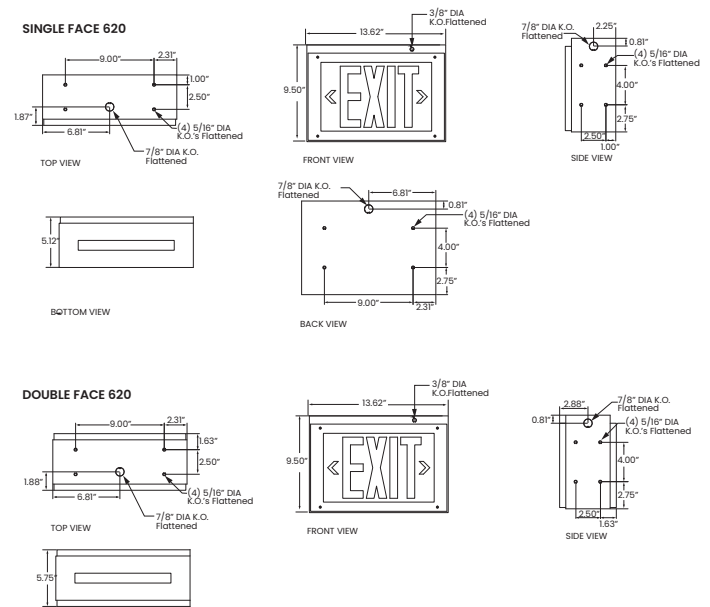
FASTENERS: Tamper-resistant Torx® head fasteners with center pin reject.

INSTALLATION: Ceiling or wall surface mount installation.

WARRANTY: New Star Promise.

LABEL: Fixture is certified to UL standards by Intertek Testing Laboratory for Damp Locations. Optional Wet Location. This product is Made in America and complies with the Buy American Act (BAA).

DIMENSIONAL DATA



The 620 Series is covered by our New Star Promise.

Our promise means we will repair or replace any of our High Abuse or Vandal-Resistant architectural luminaires when installed according to our instructions for the life of the original installation if the fixture should fail due to physical abuse*.

*Damage caused by gunfire and chemical reactions is not covered by the New Star Promise.