

PROJECT: \_\_\_\_\_  
 TYPE: \_\_\_\_\_  
 PRODUCT: \_\_\_\_\_  
 APPROVED BY: \_\_\_\_\_

## PRODUCT FEATURES

- Ligature-resistant features to support Behavioral Health applications
- Available in a 1x4, 2x2, 2x4
- Provides ambient lighting
- Tamper-resistant Torx® fasteners with center pin reject
- Fixture is certified to UL standards for Wet Location under covered ceiling. IP65 rating per IEC60598. CCEA approved. Meets ISO3/Class 1 Cleanroom standards. IK10 Listed per IEC60068-2-75
- This product was Made in America and complies with the Buy American Act requirements



AATB Series

## ORDERING INFORMATION

Example: AATBR24-HC14/OC-1-HG40-IC-UN



| AATB          | R   |  |  |  |  |   |
|---------------|---|--|--|--|--|---|
| <b>Series</b> | <b>Mounting</b><br>R = Recessed (Grid/Flange) | <b>Nominal Size*</b><br>14 = 1 x 4<br>22 = 2 x 2<br>24 = 2 x 4<br><br>*Nominal Size. Dimensional Data on Page 2. | <b>Housing</b><br>HC14 = 14Ga. CRS Painted<br>HS14 = 14Ga. SS Brushed<br>HP14 = 14Ga. SS Painted<br>HC16 = 16Ga. CRS Painted<br>HS16 = 16Ga. SS Brushed<br>HP16 = 16Ga. SS Painted<br>HC18 = 18Ga. CRS Painted<br>HS18 = 18Ga. SS Brushed<br>HP18 = 18Ga. SS Painted | <b>Overlapping Frame*</b><br>OC = CRS Painted<br>OS = SS Brushed<br>OP = SS Painted<br><br>*Gauge to match housing | <b>Outer Lens*</b><br>1 = .187 Clear Poly.<br>2 = .250 Clear Poly.<br>3 = .375 Clear Poly.<br><br>*Inner diffuser is a white poly. | <b>Lumen Output*</b><br>LW = Low<br>MD = Medium<br>HG = High<br>CL = Custom Lumen Output**<br><br>*Subject to change. Performance Data on page 3.<br>** Must be specified at time of quote. Must not exceed fixture maximum output. |

|  |  |  |  |   |
|--|--|--|--|---|
| <b>Driver</b><br>DM = 0-10V dimming with 10-100% range<br>DMI = 0-10V dimming with 1-100% range<br>TW(#)= Tunable White Drivers*<br><br>*See Page 2 to specify system. | <b>Color Temp.</b><br>30 = 3000K<br>35 = 3500K<br>40 = 4000K<br>50 = 5000K<br>TW1 = Tunable White 2700K to 5000K*<br>TW2 = Tunable White 2700K to 6500K*<br><br>*See Page 2 to specify system. | <b>Circuits</b><br>1C = 1 Circuit<br>2C = 1 Circuits*<br><br>*Refers to inboard/outboard wiring. | <b>Voltage</b><br>12 = 120V<br>27 = 277V<br>34 = 347V<br>UN = Universal (120-277V) | <b>Options</b><br>90C = 90CRI<br>FZ1 = Fuse (120V)<br>FZ2 = Fuse (277V)<br>SD2 = Step Dimming (50-100%)*<br>SD3 = Step Dimming (30-70-100%)*<br>LN = LED Night Light**<br>EL1 = Remote Emerg. Batt. (10W)***<br>EL2 = Remote Emerg. Batt. (20W)***<br><br>*Consult factory for 347V. AATB14 requires separate back box (provided). N/A with DM1.<br>**Only available with LW lumen output. Integrated switch allows light levels at 100%, 70%, 40%, and 10%<br>***Provided with test switch on a wall plate unless otherwise specified. Requires unswitched line. |
|--|--|--|--|---|



**New Star Lighting**

2225 W Pershing Rd, Chicago, IL 60609  
 (773) 847-1400  
 www.newstarlighting.com

Specifications and dimensions are subject to change without notice. For additional options and dimensional details, please consult your New Star Lighting representative.

## SPECIFICATIONS

**CONSTRUCTION:** Cold rolled steel or stainless steel housing available in 14-gauge, 16-gauge or 18-gauge. Overlapping frame available in cold rolled steel or stainless steel. Gauge to match housing. Frame secured to housing via tamper-resistant screws for maximum strength.

**LENS:** Extruded white polycarbonate inner diffuser with a clear polycarbonate outer frame lens. Frame lens provides a flat wipe-down surface for easy cleaning. Lens secured with exclusive hold-down brackets for additional security.

**LED:** Available in four color temperatures 3000K, 3500K, 4000K and 5000°K with maximum 3-step MacAdam variation allowance. Other color temperatures available, consult factory. Minimum 80 CRI standard with optional minimum 90 CRI available.

**DRIVER:** 0-10V dimming available with 10-100% range and 1-100% range. Must specify dimming under options.

**TUNABLE DRIVER OPTIONS:**

- DALI8** - DALI Type 8 (One DALI Address)
- TWD** - Two channel 0-10V dimming: one channel for brightness, one channel for CCT

**FASTENERS:** Tamper-resistant Torx® head fasteners.

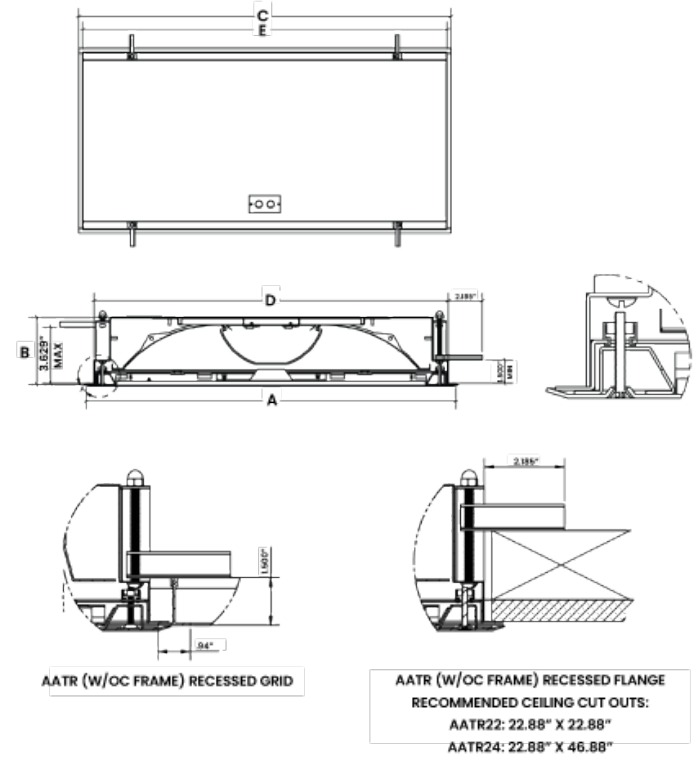
**FINISH:** Matte white anti-microbial powder coat finish on exposed surfaces following multistage iron phosphate pre-treatment

**GASKET:** Closed cell EPDM and closed cell silicone gaskets prevent air contaminations from entering the fixture. Gasketing seals lens to doorframe and doorframe to housing

**INSTALLATION:** Recessed mounting accommodates Grid and Flange installations. Recessed fixtures will be supplied with adjustable swing arms that can be used for Flange applications or taped to the side for Grid applications. Recessed install compatible with 1-1/2" and 15/16" Grid systems. Mounting for custom ceilings available, consult factory.

**LABEL:** Fixture is certified to UL standards by Intertek Testing Laboratory for Wet Locations. IP65 rating per IEC60598. CCEA approved. IK10 Listed per IEC60068-2-75.

## DIMENSIONAL DATA



| MODEL         | FLANGE WIDTH | DEPTH | FLANGE LENGTH | HOUSING WIDTH | HOUSING LENGTH |
|---------------|--------------|-------|---------------|---------------|----------------|
|               | A            | B     | C             | D             | E              |
| <b>AATB14</b> | 11.69        | 4.31  | 47.69         | 10.71         | 46.71          |
| <b>AATB22</b> | 23.69        | 4.31  | 23.69         | 22.71         | 22.71          |
| <b>AATB24</b> | 23.69        | 4.31  | 47.69         | 22.71         | 46.71          |



The AuraMed Classic High Abuse Series is covered by our New Star Promise.

Our promise means we will repair or replace any of our High Abuse or Vandal Resistant achirctural luminaires when installed according to our instructions for the life of the original installation if the fixture should faile due to physical abuse.\*

\*Exclusions to the New Star Promise are gunfire and chemical reactions

**PERFORMANCE DATA**

\*LEDs are frequently updated therefore values may change without notice.

| MODEL  | OUTPUT      | COLOR TEMP. | LUMENS DELIVERED | EFFICACY (lm/w) | INPUT POWER (W) |
|--------|-------------|-------------|------------------|-----------------|-----------------|
| AATB14 | LW = Low    | 3000K       | 5700             | 114             | 50              |
|        |             | 3500K       | 5950             | 119             | 50              |
|        |             | 4000K       | 6100             | 122             | 50              |
|        |             | 5000K       | 6250             | 125             | 50              |
|        | MD = Medium | 3000K       | 8175             | 109             | 75              |
|        |             | 3500K       | 8550             | 114             | 75              |
|        |             | 4000K       | 8775             | 117             | 75              |
|        |             | 5000K       | 9000             | 120             | 75              |
|        | HG = High   | 3000K       | 11100            | 111             | 100             |
|        |             | 3500K       | 11600            | 116             | 100             |
|        |             | 4000K       | 11900            | 119             | 100             |
|        |             | 5000K       | 12200            | 122             | 100             |
| AATB22 | LW = Low    | 3000K       | 2550             | 102             | 25              |
|        |             | 3500K       | 2675             | 107             | 25              |
|        |             | 4000K       | 2750             | 110             | 25              |
|        |             | 5000K       | 2825             | 113             | 25              |
|        | MD = Medium | 3000K       | 3800             | 100             | 38              |
|        |             | 3500K       | 3990             | 105             | 38              |
|        |             | 4000K       | 4100             | 108             | 38              |
|        |             | 5000K       | 4220             | 111             | 38              |
|        | HG = High   | 3000K       | 4900             | 98              | 50              |
|        |             | 3500K       | 5150             | 103             | 50              |
|        |             | 4000K       | 5300             | 106             | 50              |
|        |             | 5000K       | 5450             | 109             | 50              |
| AATB24 | LW = Low    | 3000K       | 5700             | 114             | 50              |
|        |             | 3500K       | 5950             | 119             | 50              |
|        |             | 4000K       | 6100             | 122             | 50              |
|        |             | 5000K       | 6250             | 125             | 50              |
|        | MD = Medium | 3000K       | 8175             | 109             | 75              |
|        |             | 3500K       | 8550             | 114             | 75              |
|        |             | 4000K       | 8775             | 117             | 75              |
|        |             | 5000K       | 9000             | 120             | 75              |
|        | HG = High   | 3000K       | 11100            | 111             | 100             |
|        |             | 3500K       | 11600            | 116             | 100             |
|        |             | 4000K       | 11900            | 119             | 100             |
|        |             | 5000K       | 12200            | 122             | 100             |

