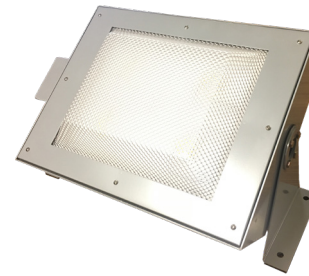


PROJECT: _____
 TYPE: _____
 PRODUCT: _____
 APPROVED BY: _____

PRODUCT FEATURES

- Intended for Transportation settings, Underpasses, Viaducts, Tunnels, Platforms, and more
- Optional Type 2 or Type 5 Optics
- Fixture is certified to UL standard by Intertek Testing Laboratories for Wet Location, IP65 Rating per IEC60598, 5G vibration tested per ANSI C136.31, IK10 Listed per IEC60068-2-75
- This product is Made in America and complies with the Buy American Act (BAA)



ADLLP

ORDERING INFORMATION

Example: ADLLP-T5-W7-40



ADLLP				
Series	Optics T2 = Type 2 T5 = Type 5	Lumen Output* W5 = Low W7 = Standard W10 = High *Subject to change. Performance Data on Page 3.	Color Temp. 30 = 3000K 40 = 4000K 50 = 5000K	Options WP = Whip (to match J-Box entry size) JB34 = J-Box with 3/4-14 NPT entry CC = Custom color, consult factory



New Star Lighting
 2225 W Pershing Rd, Chicago, IL 60609
 (773) 847-1400
 www.newstarlighting.com

Specifications and dimensions are subject to change without notice. For additional options and dimensional details, please consult your New Star Lighting representative.

© 2024, New Star Lighting. All rights reserved. Unauthorized duplication or distribution is prohibited.

SPECIFICATIONS

HOUSING: Precision die-formed, seam welded, marine-grade aluminum. Integral heat shield and heat sinks for optimal performance.

GASKET: One-piece closed cell silicone gasket.

FRAME: Precision die-formed, seam welded, marine-grade aluminum to match housing. Frame fastened to housing via tamper-resistant fasteners.

MOUNTING BRACKETS: Two adjustable aluminum trunnion-type brackets that can be positioned up to 90 degrees in either direction from the horizontal for easy aiming.

J-BOX: Standard aluminum sealed JBox mounted outside of fixture for ease of connection. Provided with 1"-11 1/2 NPT entry. Optional 3/4-14 NPT entry.

LENS: High impact UV-resistant polycarbonate lens to provide maximum light distribution. Lens fastened to door.

ELECTRICAL: 120-277VAC, 50/60HZ electrical input high power factor electronic, constant current driver (<20% THD, >0.95 PF). Standard 20KV/KA Surge Suppressor.

LED: Available in three color temperatures 3000K, 4000K, and 5000K with maximum 3-step MacAdam variation allowance. Other color temperatures available, consult factory. Minimum 50,000 hours with 70% lumen maintenance in a 25°C ambient temperature, compliant with IES LM-80 testing standards.

FASTENERS: Tamper-resistant Torx® head fasteners with center pin reject.

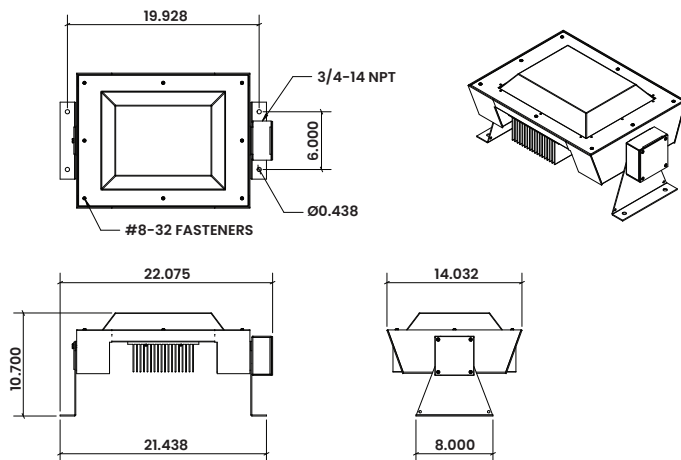
FINISH: Gray polyester powder coat finish following multi-stage iron phosphate pre-treatment

WEIGHT: 19lbs.

WARRANTY: New Star Promise.

LABEL: Fixture is certified to UL standards by Intertek Testing Laboratory for Wet Location. Certified IP65 per IEC60598 and 5G vibration tested per ANSI C136.31. IK10 Listed per IEC60068-2-75. This product was Made in America and complies with the Buy American Act (BAA) requirements.

DIMENSIONAL DATA



The Adler Dos is covered by our New Star Promise.

Our promise means we will repair or replace any of our High Abuse or Vandal Resistant architectural luminaires when installed according to our instructions for the life of the original installation if the fixture should fail due to physical abuse.*

*Exclusions to the New Star Promise are gunfire and chemical reaction.

PERFORMANCE DATA*

*LEDs are frequently updated therefore values may change without notice.

MODEL	OUTPUT	COLOR TEMP.	LUMENS DELIVERED	EFFICACY (lm/W)	INPUT POWER (W)
ADLLP Type 2	Low (W5)	3500K	6300	119	53
		4000K	6400	121	53
		5000K	6700	126	53
	Standard (W7)	3500K	8900	116	77
		4000K	9100	118	77
		5000K	9500	123	77
	High (W10)	3500K	11500	111	104
		4000K	11750	113	104
		5000K	12300	118	104
ADLLP Type 5	Low (W5)	3500K	6450	112	53
		4000K	6550	124	53
		5000K	6850	129	53
	Standard (W7)	3500K	9200	119	77
		4000K	9300	121	77
		5000K	9700	126	77
	High (W10)	3500K	11900	114	104
		4000K	12100	116	104
		5000K	12600	121	104



New Star Lighting

2225 W Pershing Rd, Chicago, IL 60609
(773) 847-1400

www.newstarlighting.com

Specifications and dimensions are subject to change without notice. For additional options and dimensional details, please consult your New Star Lighting representative.

© 2024, New Star Lighting. All rights reserved. Unauthorized duplication or distribution is prohibited.