

PROJECT: _____
 TYPE: _____
 PRODUCT: _____
 APPROVED BY: _____

PRODUCT FEATURES

- Intended for Minimum to Supermax Correctional Facilities, Detention Centers, and more
- 14-Gauge cold rolled steel housing with beveled edges to deflect the force of an impact
- Two lenses for maximum durability
- Tamper-resistant Torx® fasteners with center pin reject
- Fixture is certified to UL Standards and suitable for Wet Location
- This product is Made in America and complies with the Buy American Act (BAA), and the Build America, Buy America Act (BABA)



AGM

U.S. Patent No. 8,277,091



ORDERING INFORMATION

Example: AGM11-UN-30-DM1

AGM				
Series	Nominal Size 11 = 1x1 14 = 1x4 22 = 2x2 24 = 2x4 *Dimensional Data on page 2.	Voltage 12 = 120V 27 = 277V UN = Universal (120-277V)	Color Temp. 30 = 3000K 35 = 3500K 40 = 4000K 50 = 5000K TW1 = Tunable White 2700K to 5000K* TW2 = Tunable White 2700K to 6500K* *Specify TW Driver under Options	Driver DM1 = 0-10V dimming with 1-100% range TW Drivers: DALI8 = DALI Type 8 (One DALI Address) TWO = 2-Channel 0-10V dimming (Brightness & CCT)



New Star Lighting

2225 W Pershing Rd, Chicago, IL 60609
 (773) 847-1400
 www.newstarlighting.com

Specifications and dimensions are subject to change without notice. For additional options and dimensional details, please consult your New Star Lighting representative.

© 2025, New Star Lighting. All rights reserved. Unauthorized duplication or distribution is prohibited.

SPECIFICATIONS

CONSTRUCTION: 14-Gauge cold rolled steel with extruded aluminum housing and beveled edges to deflect the force of an impact.

LENS: Two lenses provide maximum durability. Interior lens is white polycarbonate and exterior is .250 Clear Polycarbonate. Lens secured by "Z" rails.

LED: Available in four color temperatures 3000K, 3500K, 4000K and 5000K. Other color temperatures available, consult factory. Standard 0-10V Meanwell dimming driver with 10-100% range.

DRIVER: Standard 0-10V dimming with 1-100% range.

TUNABLE DRIVER OPTIONS:

- DALI8** - DALI Type 8 (One DALI Address)
- TWD** - Two channel 0-10V dimming; one channel for brightness, one channel for CCT

FASTENERS: Tamper-resistant Torx® head fasteners with center pin reject.

FINISH: White antimicrobial polyester powder coat following multistage iron phosphate pre-treatment.

POWER SUPPLY: LED Driver included.

Input Voltage: AC120V-277V

AGM11: Input Power 18.0W

AGM14: Input Power: 40.0W

AGM22: Input Power: 40.0W

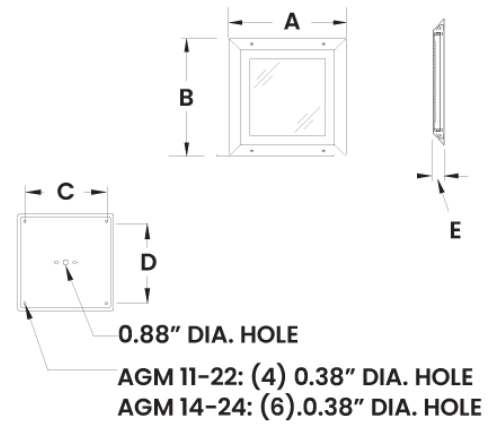
AGM24: Input Power: 80.0W

INSTALLATION: Encased frame allows for quick and easy surface mounting to any ceiling or wall.

WARRANTY: Five (5) year warranty.

LABEL: Fixture is certified to UL standards by Intertek Testing Laboratory for Wet Location installations. IK10 Lister per IEC60068-2-75.

DIMENSIONAL DATA



	A	B	C	D	E
AGM11	21.00"	17.00"	18.50"	14.50"	1.88"
AGM14	56.94"	17.00"	27.22"	14.50"	1.88"
AGM22	32.81"	28.21"	30.31"	26.30"	1.88"
AGM24	58.00"	29.00"	27.75"	26.50"	1.88"



The StarTile Max Series is covered by our New Star Promise.

Our promise means we will repair or replace any of our High Abuse or Vandal-Resistant architectural luminaires when installed according to our instructions for the life of the original installation if the fixture should fail due to physical abuse*.

*Damage caused by gunfire and chemical reactions is not covered by the New Star Promise.

PERFORMANCE DATA

*LEDs are frequently updated therefore values may change without notice.

MODEL	COLOR TEMP.	LUMENS (DELIVERED)	EFFICACY (lm/W)	INPUT POWER (W)
AG11	3000K	1344	74.1	18
	3500K	1350	75	18
	4000K	1400	75.9	18
	5000K	1586	85.7	18
AG14	3000K	3648	93.5	40
	3500K	3786	95	40
	4000K	3800	95.8	40
	5000K	4305	108.2	40
AG22	3000K	3840	96.3	40
	3500K	3900	98	40
	4000K	4000	98.7	40
	5000K	4532	111.5	40
AG24	3000K	6700	80.7	80
	3500K	6850	81.7	80
	4000K	7000	82.7	80
	5000K	7900	93.4	80



New Star Lighting

2225 W Pershing Rd, Chicago, IL 60609
 (773) 847-1400
www.newstarlighting.com

Specifications and dimensions are subject to change without notice. For additional options and dimensional details, please consult your New Star Lighting representative.

© 2025, New Star Lighting. All rights reserved. Unauthorized duplication or distribution is prohibited.