

PROJECT: _____
 TYPE: _____
 PRODUCT: _____
 APPROVED BY: _____

PRODUCT FEATURES

- Intended for Public Areas, Multifamily Housing, Restrooms, Schools, Factories, Transportation Platforms, Warehouses, Corridors, and more
- Encased frame allows for quick and easy surface mounting to any ceiling or wall
- This product is Made in America and complies with the Buy American Act requirements



AGV

ORDERING INFORMATION

Example: AGV11-LW30-UN



AG	V			
Series	Model V = VR Tamper-Proof	Nominal Size 11 = 1x1 14 = 1x4 22 = 2x2 24 = 2x4	Lumen Output* LW = Low HG = High** CL = Custom Lumen Output*** *Subject to change. **N/A with 1x1 ***Must be specified at time of quote. Must not exceed fixture maximum output.	Color Temp. 30 = 3500K 35 = 3500K 40 = 4000K 50 = 5000K

Voltage 12 = 120V 27 = 277V 34 = 347V UN = Universal (120V-277V)	Options EL1 = Emergency Battery Pack (Remote) DMI = 0-10V dimming with 1-100% range *If stored, batteries should be fully recharged every six months and kept between 0°C-25°C to maintain optimal battery capacity.
-------------------------------------------------------------------------------------	------------------------------------------------------------------------------------------------------------------------------------------------------------------------------------------------------------------------------------------

SPECIFICATIONS

CONSTRUCTION: White painted extruded aluminum frame (standard) encased in a 16-gauge cold rolled steel frame with beveled edges to deflect the force of an impact. Other finishes available.

LENS: Two lenses provide maximum durability. Interior lens is .060" white acrylic and exterior is .060" clear polycarbonate. Lens secured by "Z" rail lens retention.

LED: Available in four color temperatures 3000K, 3500K, 4000K, and 5000K with maximum 3-step MacAdam variation allowance. Other color temperatures available, consult factory.

ELECTRICAL: 0-10V Dimming available with 1-100% range. Must specify dimming under options.

Input Voltage: AC120V-277V

AGV11: Input Power 18.0W

AGV14: Input Power: 40.0W

AGV22: Input Power: 40.0W

AGV24: Input Power: 80.0W

FASTENERS: Tamper resistant Torx® head screws with center pin reject.

FINISH: White powder coat finish following multistage iron phosphate pretreatment.

INSTALLATION: Surface Mount (hardware by others).

WARRANTY: New Star Promise.

LABEL: Fixture is certified to UL standards for Wet locations (under covered ceilings). IK10 Listed per IEC60068. This product is Made in America and complies with the Buy American Act requirements.

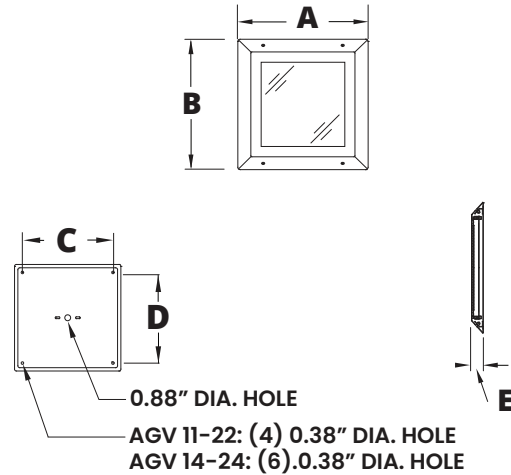


The StarTile VR Series is covered by our New Star Promise.

Our promise means we will repair or replace any of our High Abuse or Vandal-Resistant architectural luminaires when installed according to our instructions for the life of the original installation if the fixture should fail due to physical abuse*.

*Damage caused by gunfire and chemical reactions is not covered by the New Star Promise.

DIMENSIONAL DATA



	A	B	C	D	E
AGV11	15.87"	15.87"	13.38"	13.38"	1.31"
AGV14	51.31"	15.87"	24.41"	13.38"	1.31"
AGV22	27.69"	27.9"	25.19"	25.19"	1.31"
AGV24	51.81"	27.69"	24.66"	25.19"	1.31"

PERFORMANCE DATA

*LEDs are frequently updated therefore values may change without notice.

MODEL	OUTPUT	COLOR TEMP.	LUMENS DELIVERED	EFFICACY (lm/w)	INPUT POWER (W)
AGG11	LW = Low	4000K	1800	100	18
AGG14	LW = Low	4000K	4000	100	40
	HG = High	4000K	6000	100	60
AGG22	LW = Low	4000K	4000	100	40
	HG = High	4000K	6000	100	60
AGG24	LW = Low	4000K	5000	100	50
	HG = High	4000K	7500	100	75

