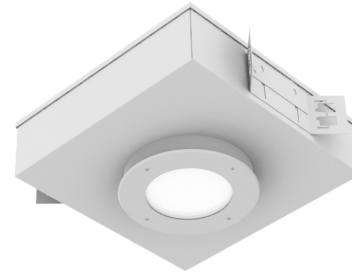


PROJECT: \_\_\_\_\_  
 TYPE: \_\_\_\_\_  
 PRODUCT: \_\_\_\_\_  
 APPROVED BY: \_\_\_\_\_

## PRODUCT FEATURES

- Intended for Public Areas, Corridors, Stairways, Parking Garages, Restrooms, Lobbies, Schools, and more
- Enclosed aluminum or cold rolled steel housing with extruded aluminum heat sink
- Available in 6" aperture and 8" aperture
- Suitable for Wet Location installations, thru-branch wiring, IP65 rating, meets ISO 4/Class 10 Cleanrooms, and NSF2 Splash/Non-Food Zone
- This product is Made in America and complies with the Buy American Act requirements



DLM6

## ORDERING INFORMATION

Example: **DLM6-HA-L135-A/A-A-3-UN**



DLM					
<b>Series</b>	<b>Aperture</b> 6 = 6 inch 8 = 8 inch	<b>Housing</b> HA = 16 Ga. Aluminum Painted D = 18 Ga. CRS Painted	<b>Lumen Output*</b> L1 = 11W 82 CRI L2 = 29W 82 CRI L2C = 29W 90 CRI L3 = 13W 82 CRI L4 = 25W 82 CRI L5 = 37W 82 CRI L6 = 45W 82 CRI L6C = 34W 90 CRI L6A = 54W 82 CRI L7 = 52W 82 CR	<b>Color Temp.</b> 35 = 3500K 40 = 4000K 50 = 5000K	<b>Outer Lens</b> A = .125 Clear Acrylic B = .125 Clear Poly. C = .187 Clear Poly. D = .250 Clear Poly. E = .250 Clear Poly. F = .125 Clear Temp. Glass G = .187 Clear Temp. Glass H = .250 Clear Temp. Glass O = None
*Subject to change. Performance Data on page 3.					

<b>Inner Lens</b> A = .125 Prismatic Acrylic B = .125 Prismatic Poly. C = .156 Prismatic Poly. D = .125 White Frosted Poly.	<b>Trim</b> A = .080 Aluminum Painted B = 18Ga. CRS Painted C = 18Ga. 304 Brushed* D = 18Ga. SS Painted*  *Additional fees may apply. Consult factory for details.	<b>Reflector</b> 3 = Low Gloss White	<b>Voltage</b> 12 = 120V 27 = 277V UN = Universal (120V-277V)	<b>Options</b> FZ1 = Fuse (120V) FZ2 = Fuse (277V) EM = Emerg. Batt (remote)*  *Remote. Field installation required.
-----------------------------------------------------------------------------------------------------------------------------------------	--------------------------------------------------------------------------------------------------------------------------------------------------------------------------------------	-----------------------------------------	---------------------------------------------------------------------------	-------------------------------------------------------------------------------------------------------------------------------------

## SPECIFICATIONS

**CONSTRUCTION:** 16-Gauge aluminum or optional 18-Gauge cold rolled steel sealed housing with an extruded aluminum heat sink designed for maximum thermal dissipation.

**LENS:** Prismatic acrylic or white frosted UV-stabilized polycarbonate inner lens to diffuse LED module with an optional clear outer lens.

**LED:** Available in three color temperatures 3500K, 4000K and 5000K with maximum 3-step MacAdam variation allowance. Other color temperatures available, consult factory.

**ELECTRICAL:** 0-10V Dimming available with 1-100% range. Rated for thru-branch wiring.

**FASTENERS:** Tamper-resistant Torx® head fasteners with center pin reject. Optional stainless steel Phillips screws with captive cage nuts available (meets NSF). Finish to match trim.

**FINISH:** White powder coat finish following multistage iron phosphate pretreatment.

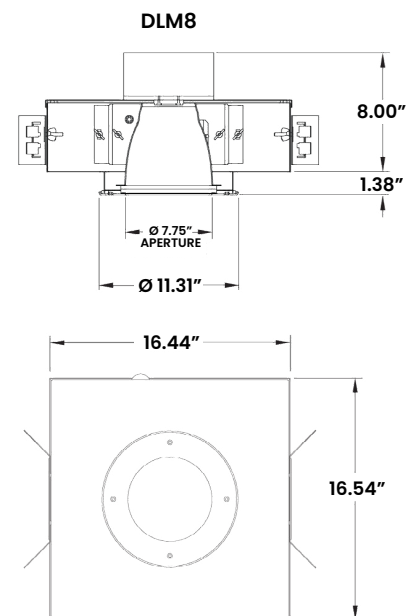
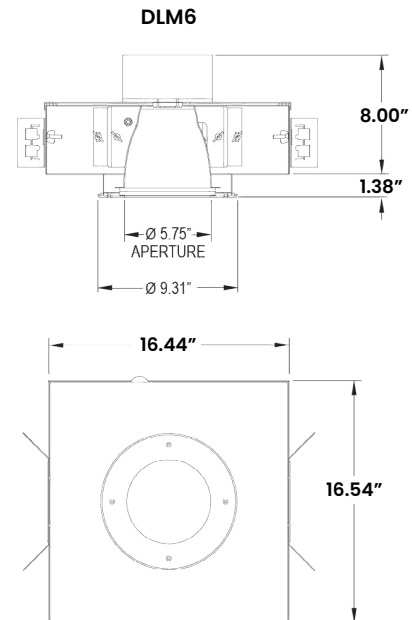
**GASKET:** Closed-cell EPDM silicone gaskets prevent water and dust infiltration.

**INSTALLATION:** Recessed installation.

**WARRANTY:** New Star Promise.

**LABEL:** Fixture is certified to UL standards by Intertek Testing Laboratory for non-IC and Wet Location installations (under covered ceiling). Suitable for thru-branch wiring. IP65 rating per IEC 60598. Meets ISO 4/Class 10 Cleanrooms. NSF2 Splash/Non-Food Zone (with PH fasteners).

## DIMENSIONAL DATA



The DLM6 Series is covered by our New Star Promise.

Our promise means we will repair or replace any of our High Abuse or Vandal Resistant architectural luminaires when installed according to our instructions for the life of the original installation if the fixture should fail due to physical abuse.\*

\*Exclusions to the New Star Promise are gunfire and chemical reactions

## PERFORMANCE DATA

\*LEDs are frequently updated therefore values may change without notice.

<b>DLM (82 CRI)</b>	<b>4000K</b>	<b>LC3</b>	<b>Clear Acrylic</b>	<b>Wattage</b>
	L1	744	905	11
	L2	1332	1621	29
	L3	636	774	13
	L4	1284	1536	25
	L5	1934	2354	37
	L6	1980	2409	45
	L6A	2670	3249	54
	L7	3270	3979	52
<b>DLM (82 CRI)</b>	<b>3000K</b>	<b>LC3</b>	<b>Clear Acrylic</b>	<b>Wattage</b>
	L1	696	847	11
	L2	1266	1540	29
	L3	636	774	13
	L4	1284	1562	25
	L5	1936	2354	37
	L6	1896	2307	45
	L6A	2670	3249	54
	L7	3000	3650	52
<b>DLM (90 CRI)</b>	<b>3000K</b>	<b>LC3</b>	<b>Clear Acrylic</b>	<b>Wattage</b>
	L2	1200	1460	29
	L6C	1800	2190	34
	L7C	3000	3450	52

