

PROJECT: _____
 TYPE: _____
 PRODUCT: _____
 APPROVED BY: _____



DLM

PRODUCT FEATURES

- Ligature resistant to meet behavioral health industry standards
- 16-Gauge cold rolled steel housing with extruded aluminum heat sink
- White antimicrobial powder coat finish (No VOC) on all exposed surfaces
- Tamper-resistant Torx® fasteners
- Suitable for Wet Location, IK10 Listed per IEC 60068-2-75 and IP65 Listed per IEC60598
- Variety of wattages and lumen packages
- This product is Made in America and complies with the Buy American Act (BAA), and the Build America, Buy America Act (BABA)

ORDERING INFORMATION

Example: DLM6-C-L1-30-D-A-TC16-3-UN-DMI



DLM	6	C			
Series	Aperature 6 = 6 inch ✓	Housing C = 16Ga. CRS Painted ✓	Lumen Output* L1 = 11W 82 CRI L2 = 29W 82 CRI L2C = 29W 90 CRI L3 = 13W 82 CRI L4 = 25W 82 CRI L5 = 37W 82 CRI L6 = 45W 82 CRI L6C = 34W 90 CRI L6A = 54W 82 CRI L7 = 52W 82 CR *Subject to change. Performance data on Page 2.	Color Temp. 30 = 3000K 35 = 3500K 40 = 4000K TW1 = Tunable White 2700K to 5000K* TW2 = Tunable White 27000 to 6500K* *See Page 2 to specify system.	Outer Lens D = .250 Clear Polycarbonate ✓ E = .375 Clear Polycarbonate
Inner Lens A = .125 Prismatic Acrylic ✓ B = .125 Prismatic Poly. C = .156 Prismatic Poly. D = .125 White Frosted Poly. E = .156 Prismatic Temp. Glass	Trim TC16 = 16 Ga. CRS Painted ✓	Reflector 3 = Antimicrobial Low Gloss White	Voltage 12 = 120V 27 = 277V UN = Universal (120V-277V)	Driver DM1 = 0-10V dimming with 1-100% range TW(#)= Tunable White Drivers* *See page 2 to specify system.	Options FZ1 = Fuse (120V) FZ2 = Fuse (277V) EM = Emerg. Batt (remote)* TH = Torx® Head fasteners (with center pin) ✓ *If stored, batteries should be fully rechargeable every six months and kept between 0°C-25°C to maintain optimal battery capacity. **TH are not NSF-rated.

✓ Indicates the product configuration meets the published guidelines by the State of New York for behavioral health applications. Find out more by visiting the [New York State Office of Mental Health's website](#).

SPECIFICATIONS

CONSTRUCTION: Sealed housing 16-gauge cold rolled steel with an extruded aluminum heat sink designed for maximum thermal dissipation.

LENS: Prismatic acrylic or white frosted polycarbonate inner lens, diffused with a clear outer lens.

LED: LED module available in three color temperatures 3000K, 3500K, and 4000K with maximum 3-step MacAdam variation allowance. Other color temperatures available, consult factory.

DRIVER: Standard 0-10V dimming with 1-100% range. Rated for through-branch wiring.

TUNABLE DRIVER OPTIONS:

- DALI8** - DALI Type 8 (One DALI Address)
- TWD** - Two channel 0-10V dimming; one channel for brightness, one channel for CCT

FASTENERS: Tamper-resistant Torx® head fasteners. Finish to match trim.

FINISH: White antimicrobial powder coat finish following multistage iron phosphate pretreatment on all exposed room-side painting surfaces, unless otherwise specified.

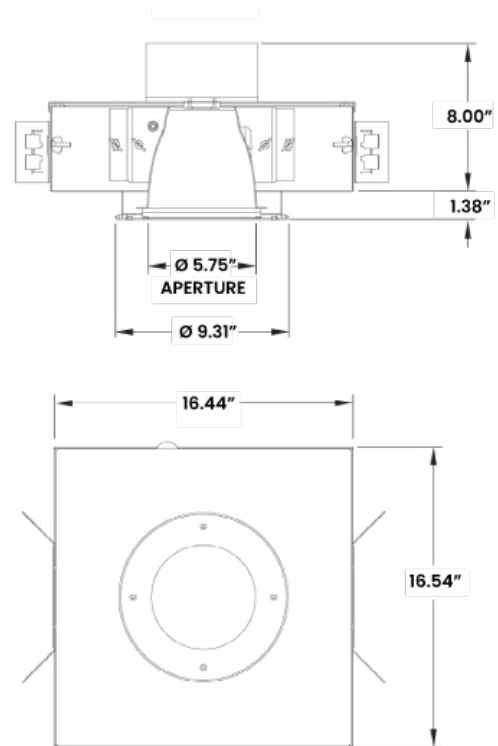
GASKET: Closed cell EPDM and closed cell silicone gaskets prevent air contaminations from entering the fixture.

INSTALLATION: Recessed drywall installation.

WARRANTY: Five (5) year warranty.

LABEL: Fixture is certified to UL standards by Intertek Testing Laboratory for non-IC and Wet Location installations (under covered ceiling). Suitable for through branch wiring. IP65 Listed per IEC60598. IK10 Listed per IEC60068-2-75.

DIMENSIONAL DATA



PERFORMANCE DATA

*LEDs are frequently updated therefore values may change without notice.

DLM (82 CRI)	4000K	LC3	Clear Acrylic	Wattage
	L1	744	905	11
	L2	1332	1621	29
	L3	636	774	13
	L4	1284	1536	25
	L5	1934	2354	37
	L6	1980	2409	45
	L6A	2670	3249	54
	L7	3270	3979	52
DLM (82 CRI)	3000K	LC3	Clear Acrylic	Wattage
	L1	696	847	11
	L2	1266	1540	29
	L3	636	774	13
	L4	1284	1562	25
	L5	1936	2354	37
	L6	1896	2307	45
	L6A	2670	3249	54
	L7	3000	3650	52
DLM (90 CRI)	3000K	LC3	Clear Acrylic	Wattage
	L2	1200	1460	29
	L6C	1800	2190	34
	L7C	3000	3450	52



New Star Lighting

2225 W Pershing Rd, Chicago, IL 60609
 (773) 847-1400
www.newstarlighting.com

Specifications and dimensions are subject to change without notice. For additional options and dimensional details, please consult your New Star Lighting representative.

© 2024, New Star Lighting. All rights reserved. Unauthorized duplication or distribution is prohibited.