

PROJECT: _____
 TYPE: _____
 PRODUCT: _____
 APPROVED BY: _____



GTW

PRODUCT FEATURES

- Intended for Over-the-Door Applications, Architectural Drip Edge, Exteriors, Entryways, Façades, Commercial Settings, Transportation Settings and more
- Available in 1ft, 2ft, 3ft, 4ft and 6ft
- Patented field-adjustable optic
- Separate mounting bracket for easy installation
- This product is Made in America and complies with the Buy American Act, and the Build America, Buy America Act requirements

U.S. Patent No. 10, 845, 041



ORDERING INFORMATION

Example: GTW2-HA-L230-UN-BK-FZ1

GTW				
Series	Size* 1 = 12" Optic, 20" Housing 2 = 24" Optic, 32" Housing 3 = 36" Optic, 44" Housing 4 = 48" Optic, 56" Housing 6 = (2) 24" Optic, 78" Housing** *Nominal size. Consult factory for custom sizes. Dimensional data on page 2. **GTW6 uses (2) 2ft light modules for double door applications.	Housing HA = 16Ga. Alum. Painted HS = 20Ga. SS Brushed HP = 20Ga. SS Painted HC = 20Ga. CRS Painted* *Not recommended for outdoor applications.	Lumen Output* L1 = Low L2 = High CL = Custom Lumen Output** *Subject to change. Performance data on page 3. **Must be specified at time of quote. Must not exceed fixture maximum output.	Color Temp. 30 = 3000K 35 = 3500K 40 = 4000K 50 = 5000K
Voltage 12 = 120V 27 = 277V UN = Universal (120-277V)	Finish Blank = If SS Brushed Housing is specified BK = Black BZ = Bronze WH = Matte White CC = Custom Color* *Must specify RAL number and if antimicrobial finish is needed at time of order. Subject to set-up fees.	Options FZ1 = Fuse (120V) FZ2 = Fuse (277V) OC = Occupancy Sensor PC = Photocell Sensor (set at 20fc) EL = Emergency Battery Pack (7W)* PH = Phillips Flat Head Screw ED = Two Drivers & Two Emergency Battery Packs for independent light engine operation** GLM = Optic locking mechanism*** MM = Mullion Mount *GTW1 requires a backbox. Provided on an additional independent circuit. Test switch located on bottom of fixture unless otherwise specified. **GTW2 requires separate back box (provided). N/A with L1. ***See page 2 for more information.		



New Star Lighting

2225 W Pershing Rd, Chicago, IL 60609
 (773) 847-1400
 www.newstarlighting.com

Specifications and dimensions are subject to change without notice. For additional options and dimensional details, please consult your New Star Lighting representative.

© 2024, New Star Lighting. All rights reserved. Unauthorized duplication or distribution is prohibited.

SPECIFICATIONS

Housing: 16-Gauge formed aluminum housing and endcaps (standard). Optional stainless steel and cold rolled steel.

OPTIC: Rotatable frosted UV-stabilized polycarbonate lens inside aluminum frame.

OPTIC LOCKING MECHANISM: Optional internal locking mechanism for optic chamber. Five field adjustable locking positions (-25°, -12.5°, 0°, 12.5°, 25°).

LED: Available in four color temperatures: 3000K, 3500K, 4000K, and 5000K with maximum 3-step MacAdam variation allowance. Other color temperatures available, consult factory. Minimum 60,000h with 85% of lumen maintenance in 25°C ambient temperature, per IES TM-21 testing report.

ELECTRICAL: 0-10V Dimming available with 10-100% range.

FASTENERS: Torx® head fasteners with center pin reject. Optional Phillips flat head fasteners.

FINISH: Durable powder coat finish available in black (standard), bronze, or matte white following multi-stage iron phosphate pretreatment. Custom colors available, must specify RAL number and if antimicrobial finish is needed. If Stainless Steel Brushed is specified, do not specify a paint finish.

GASKET: Closed cell neoprene gaskets prevent air contaminations from entering the fixture.

INSTALLATION: Separate mounting bracket allows for easy wall installation.

WARRANTY: New Star Promise.

LABEL: Fixture is certified to UL standards for Wet Location. IK10 Listed per IEC60068. Optical compartment is IP65 certified per IEC60589. This product is Made in America and complies with the Buy American Act, and the Build America, Buy America Act requirements.



The Gateway Series is covered by our New Star Promise.

Our promise means we will repair or replace any of our High Abuse or Vandal-Resistant architectural luminaires when installed according to our instructions for the life of the original installation if the fixture should fail due to physical abuse*.

*Damage caused by gunfire and chemical reactions is not covered by the New Star Promise.

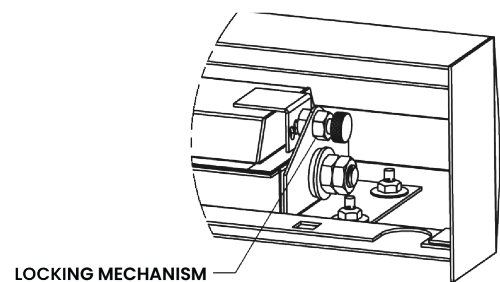
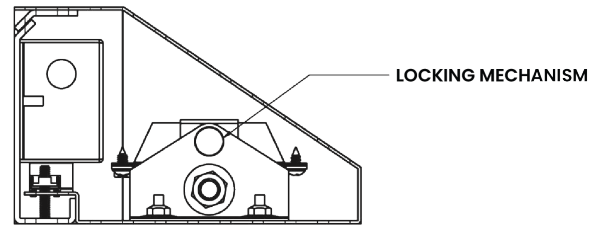


New Star Lighting

2225 W Pershing Rd, Chicago, IL 60609
(773) 847-1400
www.newstarlighting.com

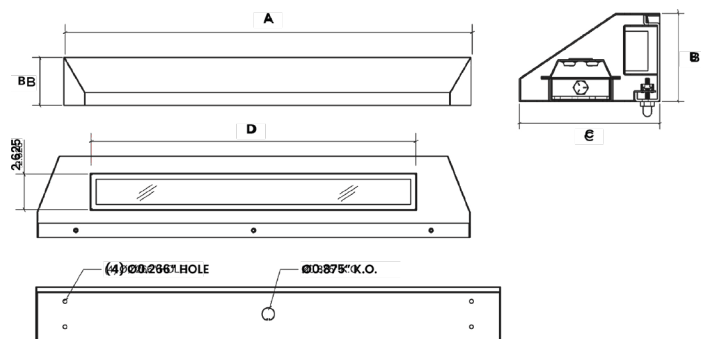
OPTIC LOCKING MECHANISM

Internal field adjustable locking mechanism for optic chamber with five positions: -25°, -12.5°, 0°, 12.5°, 25°. Pull back internal spring pin, adjust optic, release spring to lock into one of the five positions. Consult factory for questions.



DIMENSIONAL DATA

Fixture weight varies and is dependent upon chosen specifications. Consult factory for additional information.



	A	B	C	D	WEIGHT
GTW1	20.00"	3.75"	6.00"	12.00"	7.5
GTW2	32.00"	3.75"	6.00"	22.25"	15
GTW3	44.00"	3.75"	6.00"	35.25"	22.5
GTW4	56.00"	3.75"	6.00"	47.25"	25
GTW6	78.00"	3.75"	6.00"	23.25"	45

Specifications and dimensions are subject to change without notice. For additional options and dimensional details, please consult your New Star Lighting representative.

© 2024, New Star Lighting. All rights reserved. Unauthorized duplication or distribution is prohibited.

PERFORMANCE DATA

*Data is with 80 CRI chip. LEDs are frequently updated therefore values may change without notice.

MODEL	OUTPUT	COLOR TEMP.	LUMENS DELIVERED	EFFICACY (lm/W)	INPUT POWER (W)
GTW1	L1 = Low	4000K	485	78	6.25
	L2 = High	4000K	970	78	12.5
GTW2	L1 = Low	4000K	970	78	12.5
	L2 = High	4000K	1940	78	25
GTW3	L1 = Low	4000K	1455	77	18.75
	L2 = High	4000K	2910	77	37.5
GTW4	L1 = Low	4000K	1940	78	25
	L2 = High	4000K	3800	76	50
GTW6	L1 = Low	4000K	1940	78	25
	L2 = High	4000K	3800	76	50



New Star Lighting

2225 W Pershing Rd, Chicago, IL 60609
 (773) 847-1400
www.newstarlighting.com

Specifications and dimensions are subject to change without notice. For additional options and dimensional details, please consult your New Star Lighting representative.

© 2024, New Star Lighting. All rights reserved. Unauthorized duplication or distribution is prohibited.