

ROUND LAMPA™ SERIES

PROJECT: _____
 TYPE: _____
 PRODUCT: _____
 APPROVED BY: _____



LAMRV

PRODUCT FEATURES

- Intended for Public Areas, Corridors, Stairways, Underpasses, Parking Garages, Restrooms, Lobbies, Schools, and more
- Surface Wall Mount Installation
- This product was Made in America and complies with the Buy American Act requirements

ORDERING INFORMATION

Example: LAMRV1-HC20-L240-1C-RW-UN-BK



LAMRV					1C
Series	Size* 1 = 1ft (13.50") 2 = 2ft (25.54") 4 = 4ft (49.54") *Dimensional data on page 2.	Housing HA16 = 16Ga. Alum. Painted HB20 = 20Ga. SS Brushed* HP20 = 20Ga. SS Painted HC20 = 20Ga. CRS Painted** *SS304 standard. SS316 available, consult factory. **Not recommended for outdoor applications.	Lumen Output* L2 = Low L3 = High CL = Custom Lumen Output** *Subject to change. Performance Data on Page 2. **Must be specified at time of quote. Must not exceed fixture maximum output. Must specify "DMI" if selecting dimming.	Color Temp. 30 = 3000K 35 = 3500K 40 = 4000K 50 = 5000K	Circuit 1C = 1 Circuit

RW			
Lens RW = White Polycarbonate	Voltage 12 = 120V 27 = 277V UN = Universal (120V-277V)	Finish* BK = Black WH = White BZ = Bronze CC = Custom Color *Outdoor rated finish standard unless otherwise specified. Leave blank for SS Brushed. **Subject to additional fees. Must specify RAL number at time of PTO.	Options FZ1 = Fuse (120V) FZ2 = Fuse (277V) AH = Allen head screws with center pin reject EL1 = Emergency Battery Pack (10W)* CUS = Custom band option, consult factory *Remote with LAMRV1. Field installation required.

SPECIFICATIONS

HOUSING: Die-formed, seam welded and ground smooth stainless steel, marine grade aluminum or cold rolled steel. Custom band options available, consult factory.

BACKPLATE: Die-formed, seam welded and ground smooth marine grade aluminum (standard).

LENS: .125 White UV-stabilized polycarbonate lens for maximum diffusion.

LED: Available in four color temperatures: 3000K, 3500K, 4000K and 5000K with maximum 3-step MacAdam variation allowance. Minimum 80 CRI standard. Other color temperatures available, consult factory.

ELECTRICAL: 0-10V Dimming available with 1-100% range.

REFLECTOR: Die-formed aluminum. Removable for easy installation and maintenance.

FASTENERS: Tamper-resistant Torx® head fasteners with center pin reject.

FINISH: Black, white or bronze textured powder coat paint or optional custom color following multistage iron phosphate pretreatment. Stainless steel brushed fixtures are brushed on all exposed surfaces.

GASKET: Black neoprene gasket around interior door frame to prevent water and dust infiltration.

WARRANTY: New Star Promise.

LABEL: Fixture is certified to UL standards by Intertek Testing Laboratories for Wet Locations - vertical wall mount only. ADA Compliant

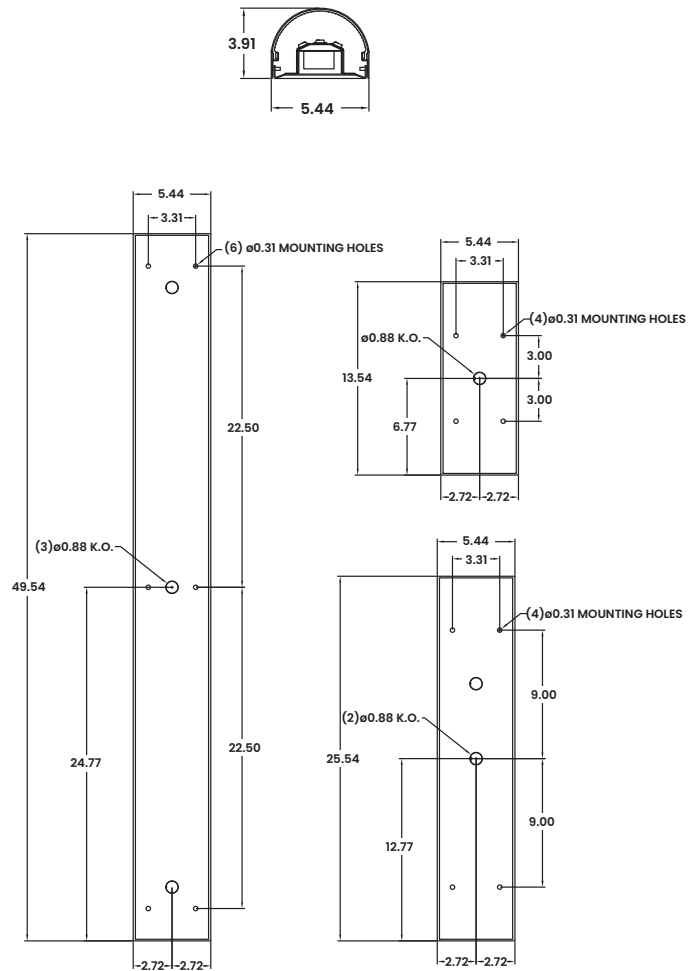


The Round Lampa Series is covered by our New Star Promise.

Our promise means we will repair or replace any of our High Abuse or Vandal Resistant architectural luminaires when installed according to our instructions for the life of the original installation if the fixture should fail due to physical abuse.*

*Exclusions to the New Star Promise are gunfire and chemical reactions.

DIMENSIONAL DATA



PERFORMANCE DATA

MODEL	OUTPUT	COLOR TEMP.	LUMENS DELIVERED	EFFICACY (lm/W)	INPUT POWER (W)
LAMR1	L2 = Low	4000K	1200	96	12.5
	L3 = High	4000K	1800	96	19
LAMR2	L2 = Low	4000K	2400	96	25
	L3 = High	4000K	3600	96	37.5
LAMR4	L2 = Low	4000K	4800	96	50
	L3 = High	4000K	7300	96	75