

NOVA NRH SERIES

HAZARDOUS LOCATION

PROJECT: _____
 TYPE: _____
 PRODUCT: _____
 APPROVED BY: _____

PRODUCT FEATURES

- Certified for use in Hazardous Locations Class I, Division 2, Groups A, B, C and D
- Two fully adjustable, ultra bright 3.3 watt high performance MR-16 base LED lamp heads for optimized center-to-center spacing
- Fixture is certified to UL standards for Wet Locations. IP66 rated per IEC60598.
- This product is Assembled in America and complies with Buy American Act requirements



NRH Series

ORDERING INFORMATION

Example: NRH-1-G-TP



NRH		G	
Series	Heads 1 = Single 2 = Twin	Housing Color G = Gray	Options TH = Torx® Head Fasteners* *New Star Promise applies with TH option

SPECIFICATIONS

CONSTRUCTION: Housing is fiberglass reinforced reinforced construction in gray finish. Corrosion-resistant enclosure with one piece, high-impact resistant UV stabilized polycarbonate lens and molded gasket with stainless steel fasteners.

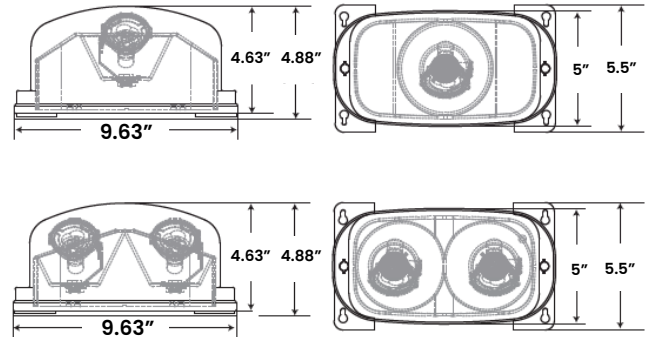
ELECTRICAL: Powered from low voltage 6V/12V DC power source with low voltage wiring (not provided).

FASTENERS: Stainless steel Philips fasteners. Optional tamper-resistant Torx® head fasteners provides New Star Promise warranty.

WARRANTY: Five (5) year warranty on all electronics and housing. Battery prorated for five years. New Star Promise warranty on physical construction when TH option is selected.

LABEL: Fixture UL Listed for Wet Locations, and IP66 rated per IEC60598. Rated for Class 1, Division 2, Groups A, B, C & D. This product meets NFPA 101 Life Safety Code, NEC, OSHA, Local and State Codes. Certified to CEC under Title 20 Regulations. This product is Assembled in America and complies with the Buy American Act (BAA).

DIMENSIONAL DATA



The NRH Series is covered by our New Star Promise when Torx® head fasteners are selected.

Our promise means we will repair or replace any of our High Abuse or Vandal-Resistant architectural luminaires when installed according to our instructions for the life of the original installation if the fixture should fail due to physical abuse*.

*Damage caused by gunfire and chemical reactions is not covered by the New Star Promise.