

NEW STAR VR TROFFER SERIES



PROJECT: _____
 TYPE: _____
 PRODUCT: _____
 APPROVED BY: _____



NST

PRODUCT FEATURES

- Intended for Commercial Settings, Schools/Universities, Office Spaces, Warehouses, and more
- Grid Installation standard with optional Flange Installation. Flange Conversion Kit under option
- Available in 1x2, 1x4, 2x2 and 2x4 Dimensions
- This product is Made in America and complies with the Buy American Act requirements

ORDERING INFORMATION

Example: NST24-LT-HC20-IC20-L4351C-PA12-UN



NST					
Series	Size 12 = 1x2 14 = 1x4 22 = 2x2 24 = 24 *Nominal Size. Dimensional Data on Page 2.	Style LT = Latched for easy entry VR = Tamper Proof Screws* *Must specify for VR applications.	Housing HC20 = 20Ga. CRS Painted HA16 = 16Ga. Alum. Painted	Frame IC20 = 20Ga. CRS Painted IA16 = 16Ga. Alum. Painted	Lumen Output L2 = Low L4 = Standard L6 = Medium** L8 = High** *Subject to change. Performance Data on Page 2. **N/A for 1x2 or 1x4.
Color Temp. 35 = 3500K 40 = 4000K 50 = 5000K	Circuits 1C = 1 Circuit 2C = 2 Circuits	Lens PA12 = .125 Prismatic Acrylic PP12 = .125 Prismatic Poly. PP15 = .156 Prismatic Poly. PP18 = .187 Prismatic Poly. PP25 = .125 Prismatic Poly. Inner Lens with .125 Clear Poly. Outer Lens WP12 = .125 White Frosted Poly. WA25 = .125 White Frosted Acrylic Inner Lens with .125 Clear Poly. Outer Lens	Voltage 12 = 120V 27 = 277V 34 = 347V UN = Universal (120V-277V)	Options AM = Antimicrobial Finish FZ1 = Fuse (120V) FZ2 = Fuse (277V) FK = Flange Conversion Kit	

SPECIFICATIONS

CONSTRUCTION: 20-Gauge formed cold rolled steel housing with pop-riveted endcaps.

LENS: .125" Prismatic (smooth side out) or white frosted UV-stabilized polycarbonate.

LED: Available in three color temperatures 3500K, 4000K, and 5000K with maximum 3-step MacAdam variation allowance. Other color temperatures available, consult factory.

ELECTRICAL: 0-10V Dimming available with 1-100% range. Must specify dimming under options.

FASTENERS: Frame secured to housing via stainless steel Philips pan head screws with captive cage nuts and latches for the NST-LT. Frame fastened to housing via tamper-resistant Torx® head fasteners with center pin reject for the NST-VR.

FINISH: White powder coat finish following multistage iron phosphate pretreatment.

GASKET: Closed cell gasket to reduce light leaks.

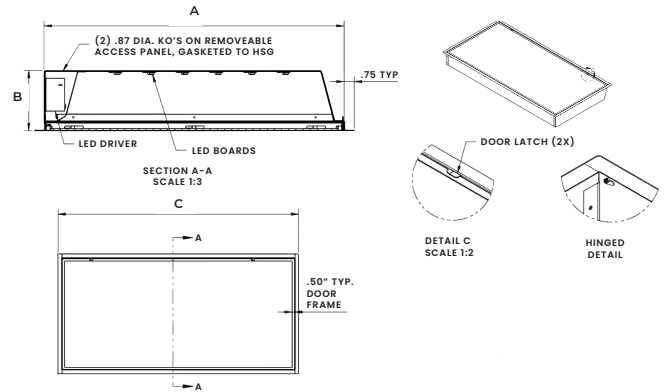
INSTALLATION: Recessed Grid or Flange

WARRANTY: New Star Promise.

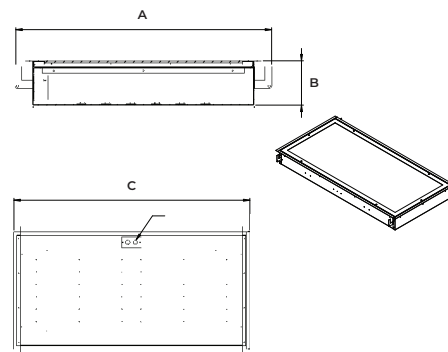
LABEL: Fixture is certified to UL standards by Intertek Testing Laboratory for Wet Locations (under covered ceilings).

DIMENSIONAL DATA

NST-LT



NST-VR



The VR Troffer Series is covered by our New Star Promise.

Our promise means we will repair or replace any of our High Abuse or Vandal-Resistant architectural luminaires when installed according to our instructions for the life of the original installation if the fixture should fail due to physical abuse*.

*Damage caused by gunfire and chemical reactions is not covered by the New Star Promise.

NEW STAR VR TROFFER SERIES



PERFORMANCE DATA

*LEDs are frequently updated therefore values may change without notice.

MODEL	OUTPUT	COLOR TEMP.	LUMENS DELIVERED	EFFICACY (lm/W)	INPUT POWER (W)	
NST14	Low	3500K	5750	115	50	
		4000K	6000	120	50	
		5000K	6250	125	50	
	Standard	3500K	8250	110	75	
		4000K	8625	115	75	
		5000K	9000	120	75	
NST22	Low	3500K	3000	120	25	
		4000K	3125	125	25	
		5000K	3250	130	25	
	Standard	3500K	6000	120	50	
		4000K	6250	125	50	
		5000K	6500	130	50	
	Medium	3500K	8625	115	75	
		4000K	9000	120	75	
		5000K	12500	125	100	
	High	3500K	9375	125	75	
		4000K	12000	120	100	
		5000K	12500	125	100	
	NST24	Low	3500K	6000	120	50
			4000K	6250	125	50
			5000K	6500	130	50
Standard		3500K	12000	120	100	
		4000K	12500	125	100	
		5000K	13000	130	100	
Medium		3500K	17250	115	150	
		4000K	18000	120	150	
		5000K	18750	125	150	
High		3500K	23000	115	200	
		4000K	24000	120	200	
		5000K	25000	125	200	



New Star Lighting
 2225 W Pershing Rd, Chicago, IL 60609
 (773) 847-1400
www.newstarlighting.com

Specifications and dimensions are subject to change without notice. For additional options and dimensional details, please consult your New Star Lighting representative.

© 2025, New Star Lighting. All rights reserved. Unauthorized duplication or distribution is prohibited.