

# STARCLEAN SCEXW EXIT SERIES

## NEMA4X / NSF

PROJECT: \_\_\_\_\_  
 TYPE: \_\_\_\_\_  
 PRODUCT: \_\_\_\_\_  
 APPROVED BY: \_\_\_\_\_

### PRODUCT FEATURES

- Intended for Food Processing, Industrial, Marine and Coastal applications, and more
- Red or Green LED EXIT sign illumination
- Fixture is certified to UL standards for Wet Locations. IP66 rated per IEC60598. NEMA4x rated and NSF Splash/Food Zone listed. This product is Assembled in America and complies with Buy American Act requirements



SCEXW Series



### ORDERING INFORMATION

Example: SCEXW-SF-RW-W-EM

SCEXW					
<b>Series</b>	<b>Face</b> SF = Single Face DF = Double Face	<b>Lettering</b> RW = Red Letters GW = Green Letters	<b>Housing Color</b> WH = White BK = Black	<b>Battery</b> Blank = AC-Only EM = Emergency Battery	<b>Options</b> SDT = Self-Diagnostics* 2C/120 = Dual Circuit with 120V Input** 2C/277 = Dual Circuit with 277V Input** TH = Torx® head fasteners***  *Available in EM units only **Not available with EM units ***New Star Promise applies with TH option



### New Star Lighting

2225 W Pershing Rd, Chicago, IL 60609  
 (773) 847-1400  
 www.newstarlighting.com

Specifications and dimensions are subject to change without notice. For additional options and dimensional details, please consult your New Star Lighting representative.

© 2025, New Star Lighting. All rights reserved. Unauthorized duplication or distribution is prohibited.

# STARCLEAN SCEXW EXIT SERIES

## NEMA4X / NSF



### SPECIFICATIONS

**CONSTRUCTION:** Housing is reinforced polycarbonate construction in white or black finish. Corrosion-resistant enclosure with one piece, high-impact resistant UV stabilized polycarbonate lens and molded gasket with stainless steel fasteners. Snap-out Chevron directional indicators.

**LENS:** UV-stabilized clear Polycarbonate lens. Optional single face or double face with field selectable steel knockout chevron directional indicators.

**ELECTRICAL:** Dual 120/277 voltage standard. Energy-efficient, long life Red or Green LEDs. Unique bi-color LED indicator light alerts occupant on battery condition (Green = normal, Red = check battery). Charge rate/power "ON" LED indicator light and magnetic test switch for mandated code compliance testing. 4.8V long-life, rechargeable NiCd battery (EM models only). Internal solid-state transfer switch automatically connects the internal battery to LED board for minimum 90-minute emergency illumination. Fully automatic solid-state, two rate charger initiates battery charging to recharge a discharged battery in 24 hours.

#### ELECTRICAL OPTIONS:

**SDT:** Self-diagnostic feature performs monthly, biannual, and annual tests to ensure reliable operation and meets electrical and life safety codes.

**2C-120/277V:** Dual circuit option on the AC-only unit enables it to be connected to two different power supplies at the same time.

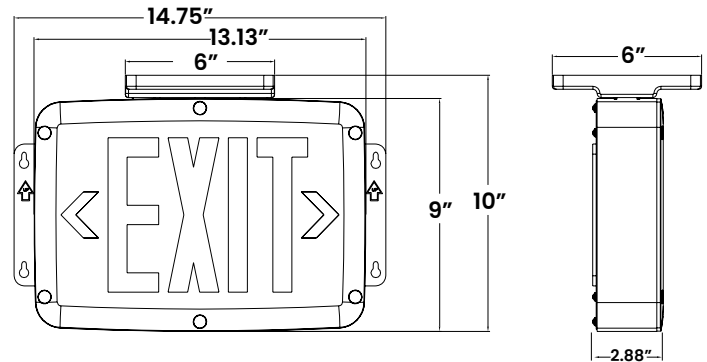
**FASTENERS:** Stainless steel Philips fasteners. Optional tamper-resistant Torx® head fasteners provides New Star Promise warranty.

**INSTALLATION:** Universal knockout pattern on back provided with gasket for watertight seal for back mount. Polycarbonate mounting canopy included for top or end mount. Knockouts provided for conduit feed applications.

**WARRANTY:** Five (5) year warranty on all electronics and housing. Battery prorated for five years. New Star Promise warranty on physical construction when TH option is selected.

**LABEL:** Fixture UL Listed for Wet Locations (-20°C - 50°C), and IP66 rated per IEC60598. NEMA4X rated and NSF Food-Zone/Splash Zone listed. This product meets NFPA 101 Life Safety Code, NEC, OSHA, Local and State Codes. Certified to CEC under Title 20 Regulations. This product is Assembled in America and complies with the Buy American Act (BAA).

### DIMENSIONAL DATA



The SCEXW Series is covered by our New Star Promise when Torx® head fasteners are selected.

Our promise means we will repair or replace any of our High Abuse or Vandal-Resistant architectural luminaires when installed according to our instructions for the life of the original installation if the fixture should fail due to physical abuse\*.

\*Damage caused by gunfire and chemical reactions is not covered by the New Star Promise.



#### New Star Lighting

2225 W Pershing Rd, Chicago, IL 60609  
(773) 847-1400  
www.newstarlighting.com

Specifications and dimensions are subject to change without notice. For additional options and dimensional details, please consult your New Star Lighting representative.

© 2025, New Star Lighting. All rights reserved. Unauthorized duplication or distribution is prohibited.