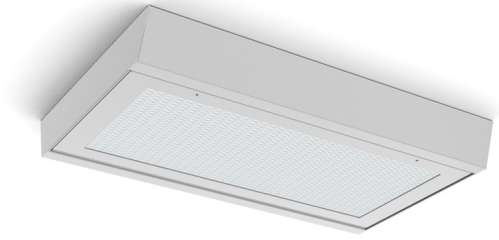


WARRIOR WIDE SERIES

PROJECT: _____
 TYPE: _____
 PRODUCT: _____
 APPROVED BY: _____

PRODUCT FEATURES

- Intended for Minimum to Supermax Correctional Facilities, Detention Centers, Public Housing, Athletic Facilities, and more
- 2ft and 4ft Wide die-formed housing with inset doorframe secured by countersunk Torx® fasteners
- Lens secured by "Z" retainers with welded studs spaced six inches apart for maximum strength
- This product is Made in America and complies with the Buy American Act (BAA)



WARW Series

ORDERING INFORMATION

Example: **WARW2-B-L2401C-2/D-UN**



WARW					
Series	Size* 2 = 2ft 4 = 4ft *Nominal Size. Dimensional Data on Page 2	Housing B = 14Ga. CRS Painted C = 16Ga. CRS Painted D = 18Ga. CRS Painted E = 14Ga. SS Brushed F = 16Ga. SS Brushed G = 18Ga. SS Brushed H = 14Ga. SS Painted J = 16Ga. SS Painted	Lumen Output* L2 = Standard L4 = High *Subject to change. Performance Data on Page 2.	Color Temp. 35 = 3500K 40 = 4000K 50 = 5000K	Circuits 1C = 1 Circuit 2C = 2 Circuits

Outer Lens 0 = No Lens 1 = .187 Clear Poly. 2 = .250 Clear Poly. 3 = .375 Clear Poly. 4 = .500 Clear Poly. 5 = .187 Clear Temp Glass 6 = .250 Clear Temp. Glass 7 = .375 Clear Temp. Glass* *Must use with 12Ga. or 14Ga.	Inner Lens A = .125 Prismatic Acrylic B = .125 Prismatic Poly. C = .156 Prismatic Poly. D = .187 Prismatic Poly. F = .156 Prismatic Acrylic G = .140 DR Acrylic LC3 = .125 White Frosted Poly.	Voltage 12 = 120V 27 = 277V 34 = 347V UN = Universal (120V-277V) *Nominal Size. Dimensional Data on Page 2	Options FZ = Fuse (120V) FZ1 = Fuse (277V) LN = LED Night Light* EL1 = Emerg. Bat. LED Low (10W)** EL2 = Emerg. Bat. LED High (20W)** AH = Allenhead Screws with Center Pin Reject AM = Antimicrobial finish on exposed surfaces *3500K non-dimming Night Light with integrated switch allows light levels at 100%, 70%, 40% and 10%. **Consult factory for the CA Title 24 options. If stored, batteries should be fully recharged every six months and kept between 0°C-25°C to maintain optimal battery capacity.
---	--	---	--

SPECIFICATIONS

HOUSING: Die-formed, seam welded and ground smooth wide housing style in cold rolled steel or stainless steel. Incorporates a removable reflector unitized with all electrical components for easy installation and maintenance.

DOORFRAME: Die-formed one-piece inset doorframe with mitred corners (material and gauge to match housing), secured to housing with countersunk Torx® fasteners.

HINGE: 16-Gauge full length continuous, staked piano hinge, with welded ends, to prevent removal (material to match housing).

LENS: Lens secured by 'Z' retainers with weld studs spaced six inches apart for maximum strength.

LED: Available in three color temperatures 3500K, 4000K, and 5000K with maximum 3-step MacAdam variation allowance. Other color temperatures available, consult factory. Minimum 50,000 hours with 70% lumen maintenance in a 25°C ambient temperature, compliant with IES LM-80 testing standards.

ELECTRICAL: 120-277VAC or 347VAC, 50/60HZ electrical input high power factor electronic, constant current driver (<20% THD, >0.95 PF). Standard 0-10V Dimming with 1-100% range.

GASKET: Black neoprene gasket around door frame to prevent light leaks.

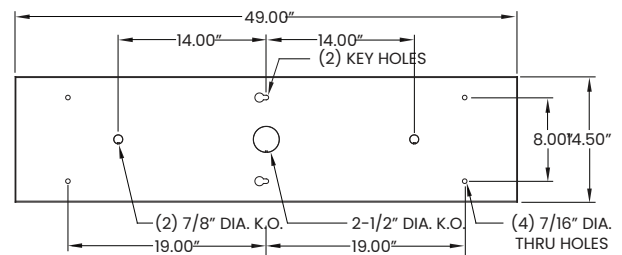
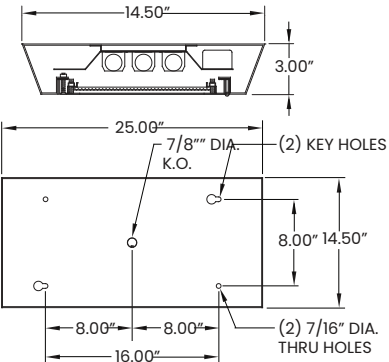
FASTENERS: Tamper-resistant Torx® head fasteners with center pin reject.

FINISH: White powder coat finish following multi-stage iron phosphate pre-treatment. Optional antimicrobial finish.

MOUNTING: Surface installation.

WARRANTY: New Star Promise.

LABEL: Fixture is certified to UL standards for Wet Locations. This product is Made in America and complies with the Buy American Act (BAA).



The WARN Series is covered by our New Star Promise.

Our promise means we will repair or replace any of our High Abuse or Vandal-Resistant architectural luminaires when installed according to our instructions for the life of the original installation if the fixture should fail due to physical abuse*.

*Damage caused by gunfire and chemical reactions is not covered by the New Star Promise.

DIMENSIONAL DATA

New Star Lighting
 2225 W Pershing Rd, Chicago, IL 60609
 (773) 847-1400
 www.newstarlighting.com

Specifications and dimensions are subject to change without notice. For additional options and dimensional details, please consult your New Star Lighting representative.

© 2024, New Star Lighting. All rights reserved. Unauthorized duplication or distribution is prohibited.

PERFORMANCE DATA*

MODEL	OUTPUT	COLOR TEMP.	LUMENS DELIVERED	EFFICACY (lm/W)	INPUT POWER (W)
WARN2	L2 = Standard	4000K	2875	115	25
	L3 = High	4000K	5750	115	50
WARN4	L2 = Standard	4000K	5750	115	50
	L3 = High	4000K	11500	115	100