

PROJECT: _____
 TYPE: _____
 PRODUCT: _____
 APPROVED BY: _____



PRODUCT FEATURES

- Ligature-resistant features to support Behavioral Health applications
- Die formed, seam welded, and ground smooth cold rolled steel or stainless steel housing
- Tamper-resistant Torx® fasteners with center pin reject
- Fixture is certified to UL Standards
- This product is Made in America and complies with the Buy American Act (BAA), and the Build America, Buy America Act (BABA)



37M

ORDERING INFORMATION



Example: 37M12-F/C-L2351C-0/A-UN

37M						
Series	Nominal Size	Housing	Frame	Lumen Output*	Color Temp.	Circuits
	12 = 1 x 2 14 = 1 x 4 22 = 2 x 2 ✓ 24 = 2 x 4 *Nominal Size. Dimensional Data on Page 2.	A = 12Ga. CRS Painted B = 14Ga. CRS Painted C = 16Ga. CRS Painted ✓ D = 18Ga. CRS Painted E = 14Ga. SS Brushed F = 16Ga. SS Brushed G = 18Ga. SS Brushed H = 14Ga. SS Painted J = 16Ga. SS Painted K = 18Ga. SS Painted	A = 12Ga. CRS Painted B = 14Ga. CRS Painted C = 16Ga. CRS Painted ✓ E = 14Ga. SS Brushed F = 16Ga. SS Brushed H = 14Ga. SS Painted J = 16Ga. SS Painted	37M12-14: L2 = Low L3 = High 37M12-14: L2 = Low L4 = Standard L6 = Medium L8 = High *Subject to change. Performance Data on Page 2.	35 = 3500K 40 = 4000K 50 = 5000K TW1 = Tunable White 2700K to 5000K* TW2 = Tunable White 27000 to 6500K* *See Page 2 to specify system.	1C = 1 Circuit 2C = 1 Circuit

Drivers DM = 0-10V dimming with 10-100% range DMI = 0-10V dimming with 1-100% range TW(#)= Tunable White Drivers* *See page 2 to specify system.	Outer Lens 0 = No Lens 1 = .187 Clear Poly. ✓ 2 = .250 Clear Poly. ✓ 3 = .375 Clear Poly. 5 = .187 Clear Temp. Glass 6 = .250 Clear Temp. Glass 7 = .375 Clear Temp. Glass* *Must use with 12Ga. or 14Ga. Frame	Inner Lens A = .125 Prismatic Acrylic B = .125 Prismatic Poly. ✓ C = .156 Prismatic Poly. D = .187 Prismatic Poly. F = .156 Prismatic Acrylic G = .140 DR Acrylic H = .125 White Frost Poly. LC3 = .125 White Frosted Poly.	Voltage 12 = 120V 27 = 277V 34 = 347V UN = Universal (120V-277V)	Options FZ1 = Fuse (120V) FZ2 = Fuse (277V) EL1 = Emerg. Bat. LED Low (1100-1250 lm)* EL2 = Emerg. Bat. LED High (1900-2000 lm)** LN = LED Night Light*** SD2 = Step Dim. Module (50-100%)**** SD3 = Step Dim. Module (25-50-100%)**** AH = Allen Head Screws with Center Pin Reject WL = Wet Location (Use under covered ceiling) PF = Plaster Frame & Yoke CB = Cross Bar *If stored, batteries should be fully recharged every six months and kept between 0°C-25°C to maintain optimal battery capacity. **N/A for 37M12. If stored, batteries should be fully recharged every six months and kept between 0°C-25°C to maintain optimal battery capacity. ***3500K Night Light with integrated switch allows light levels at 100%, 70%,40% and 10%. **** N/A with 277V.
-------------------------------------------------------------------------------------------------------------------------------------------------------------------------	----------------------------------------------------------------------------------------------------------------------------------------------------------------------------------------------------------------------------------------------------	------------------------------------------------------------------------------------------------------------------------------------------------------------------------------------------------------------------------------------------------------------	-------------------------------------------------------------------------------------	-------------------------------------------------------------------------------------------------------------------------------------------------------------------------------------------------------------------------------------------------------------------------------------------------------------------------------------------------------------------------------------------------------------------------------------------------------------------------------------------------------------------------------------------------------------------------------------------------------------------------------------------------------------------------------------------------------------------------------------------------------------------------------------------------------------------------------------

✓ Indicates the product configuration meets the published guidelines by the State of New York for behavioral health applications. Find out more by visiting the [New York State Office of Mental Health's website](#).

SPECIFICATIONS

HOUSING: Die formed, seam welded, and ground smooth cold rolled steel or stainless steel housing. Incorporates a removable reflector unitized with all electrical components for easy installation and maintenance.

FRAME: Die formed one-piece frame with tightly closed corners (material and gauge to match housing).

HINGE: 16-Gauge full length continuous staked piano hinge with welded ends to prevent removal (material to match housing).

LENS: Outer and inner lens options secured with "Z" retainers with welded studs six inches apart for maximum strength.

LED: Available in three color temperatures 3500K, 4000K, and 5000K with maximum 3-step MacAdam variation allowance. Other color temperatures available, consult factory. Minimum 80 CRI standard. 0-10V dimming available with 10-100% range and 1-100% range. Must specify dimming under options.

DRIVER: Standard 0-10V dimming with 1-100% range.

TUNABLE DRIVER OPTIONS:

- DALI8** - DALI Type 8 (One DALI Address)
- TWD** - Two channel 0-10V dimming: one channel for brightness, one channel for CCT

FASTENERS: Tamper-resistant Torx® head fasteners with center pin reject.

FINISH: White antimicrobial powder coat finish following multistage iron phosphate pre-treatment unless stainless steel brushed is specified.

GASKET: Black neoprene gasket around door frame to prevent light leaks.

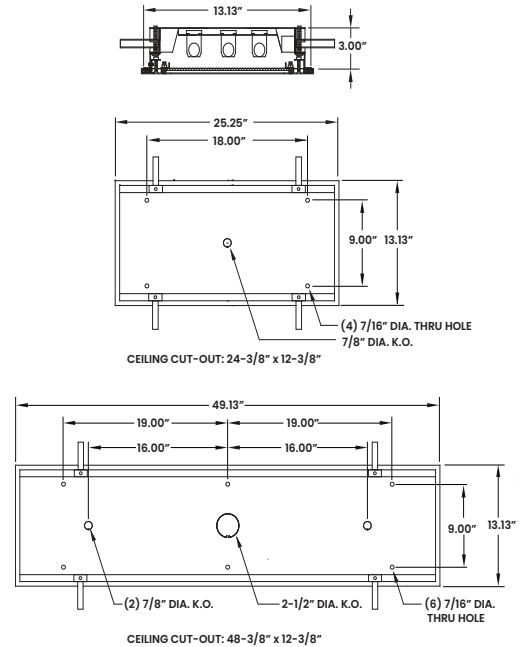
INSTALLATION: Easy Flange installation with adjustable 90° swing arm system. Hardware by others.

WARRANTY: Five (5) year warranty.

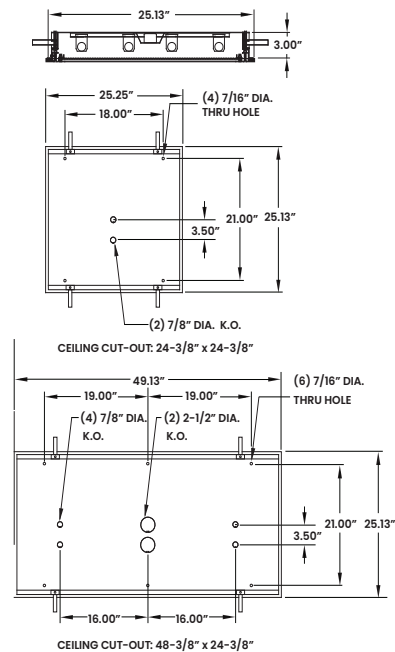
LABEL: Fixture is certified to UL standards by Intertek Testing Laboratory. IK10 Listed per IEC60068-2-75.

DIMENSIONAL DATA

37M12-14:



37M22-24:



New Star Lighting
 2225 W Pershing Rd, Chicago, IL 60609
 (773) 847-1400
 www.newstarlighting.com

Specifications and dimensions are subject to change without notice. For additional options and dimensional details, please consult your New Star Lighting representative.

© 2024, New Star Lighting. All rights reserved. Unauthorized duplication or distribution is prohibited.

PERFORMANCE DATA

*LEDs are frequently updated therefore values may change without notice.

MODEL	OUTPUT	COLOR TEMP.	LUMENS DELIVERED	EFFICACY (lm/w)	INPUT POWER (W)
37M12	L2 = Low	4000K	2750	110	25
	L3 = High	4000K	4125	110	37.5
37M14	L2 = Low	4000K	5500	110	50
	L3 = High	4000K	8250	110	75
37M22	L2 = Low	4000K	2750	110	25
	L4 = Standard	4000K	5500	110	50
	L6 = Medium	4000K	8250	110	100
	L8 = High	4000K	11000	110	100
37M24	L2 = Low	4000K	5500	110	50
	L4 = Standard	4000K	11000	110	100
	L6 = Medium	4000K	16500	110	150
	L8 = High	4000K	22000	110	200



New Star Lighting

2225 W Pershing Rd, Chicago, IL 60609
 (773) 847-1400
www.newstarlighting.com

Specifications and dimensions are subject to change without notice. For additional options and dimensional details, please consult your New Star Lighting representative.

© 2024, New Star Lighting. All rights reserved. Unauthorized duplication or distribution is prohibited.