

37M SERIES FLUORESCENT

37M12/37M14/37M22/37M24

SPECIFICATION FEATURES

HOUSING: Die formed, seam welded, and ground smooth cold rolled steel or stainless steel housing. Incorporates a removable reflector unitized with all electrical components for easy installation and maintenance.

FRAME: Die formed one-piece frame with tightly closed corners (material and gauge to match housing).

HINGE: 16 gauge full length continuous staked piano hinge with welded ends to prevent removal (material to match housing).

LENS: Outer and inner lens options secured with "Z" retainers with welded studs spaced six inches apart for maximum strength.

ELECTRONICS: Electronic Ballast <10% THD standard. RIF available. Lamps by others.

FASTENERS: Tamper resistant countersunk flat head Torx screws with center pin reject.

FINISH: White powder coat finish following multistage iron phosphate pre-treatment.

GASKET: Black neoprene gasket around door frame to prevent light leaks.



37M14

APPLICATIONS: Correctional, Detention Centers, High Abuse, Manufacturing, Minimum/Maximum Security, Public Areas, Public Housing, Warehouses, and more.

MOUNTING: Easy Flange installation with adjustable 90° swing arm system. Hardware by others.

LABEL: Fixture is certified to UL standards.



ORDERING INFORMATION

Example: 37M22-F/C-L4352C-5/D-27

SERIES	SIZE	HOUSING	FRAME	# OF LAMPS	LAMP TYPE	CIRCUIT
37M	12 = 1x2	A = 12 Ga. CRS Painted	A = 12 Ga. CRS Painted	37M12-14:	37M12:	37M22:
	14 = 1x4	B = 14Ga. CRS Painted	B = 14Ga. CRS Painted	1 = 1 Lamp	17 = Linear 17W T8	17 = Linear 17W T8
	22 = 2x4	C = 16Ga. CRS Painted	C = 16Ga. CRS Painted	2 = 2 Lamps	14 = Linear 14W T5	14 = Linear 14W T5
	24 = 2x4	D = 18Ga. CRS Painted	E = 14Ga. SS Brushed	3 = 3 Lamps	24 = Linear 24W T5 HO	24 = Linear 24W T5 HO
		E = 14Ga. SS	F = 16Ga. SS Brushed	37M22-24:	40 = 40 Twin 2Gx11*	40 = 40 Twin 2Gx11**
	*Nominal Size.	F = 16Ga. SS	H = 14Ga. SS Painted	2 = 2 Lamps	37M14:	U6 = 32W U-Lamp
	Dimensional	G = 18Ga. SS	J = 16Ga. Painted	3 = 3 Lamps	32 = 32W T8	(6" Leg-spacing)*
	Data on Page 2	H = 14Ga. SS Painted		4 = 4 Lamps	28 = 28W T5	37M24:
		J = 16Ga. SS Painted		5 = 5 Lamps	54 = 54W T5 HO	32 = 32W T8
		K = 18Ga. SS Painted		6 = 6 Lamps		28 = 28W T5
						54 = 54W T5 HO

*Must use with 2 Lamps

**Must use with 4 Lamps

OUTER LENS	INNER LENS	VOLTAGE	OPTIONS	ACCESSORY
0 = No Lens	A = .125 Prismatic Acrylic	12 = 120V	DB = Dimming Ballast (0-10V)*	PF = Plaster Frame & Yoke
1 = .187 Clear Poly.	B = .125 Prismatic Poly.	27 = 277V	E1 = Emerg. Ballast (450lm)**	CB = Cross Bar
2 = .250 Clear Poly.	C = .156 Prismatic Poly.	34 = 347V*	E2 = Emerg. Ballast (1350lm)**	
3 = .375 Clear Poly.	D = .187 Prismatic Poly.	UN = Universal	FZ1 = Fuse (120V)	
5 = .187 Clear Temp. Glass	F = .156 Prismatic Acrylic	(120V-277V)	FZ2 = Fuse (277V)	
6 = .250 Clear Temp. Glass	G = .140 DR Acrylic		NL = Fluorescent Night Light	
7 = .375 Clear Temp. Glass*	LC3 = .125 White Frosted Poly.	*Consult factory for lamp-ballast options	PR = Program Rapid Start	
			UV = .005 UV Absorbing Overlay	
			AH = Allen Head screws with center pin reject	
			WL = Wet Location (Use under covered ceiling)	
			SD2 = Step Dim. Module (50-100%)*	
			SD3 = Step Dim. Module (25-50-100%)*	

*Must use with 12Ga. or 14Ga. Frame

* Cannot use with UN voltage.

** Cannot use with UN voltage. Consult factory for T5 availability.

***N/A with 277V.

37M SERIES FLUORESCENT

37M12/37M14/37M22/37M24

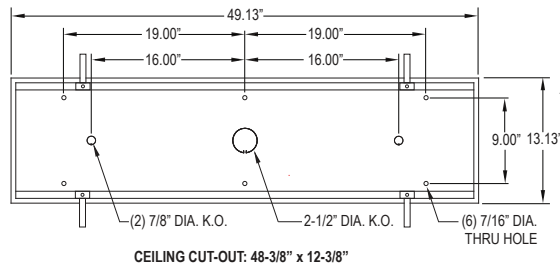
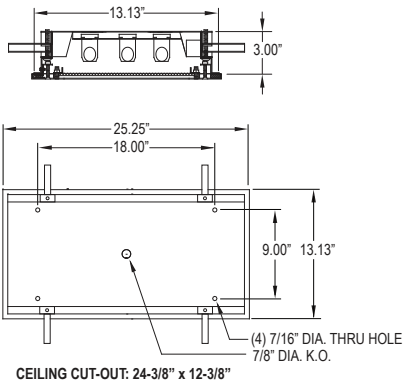


DIMENSIONAL DATA

Fixture weight varies and is dependent upon chosen specifications.

Average weight of the 37M12-37M14 is 30lbs to 60lbs. Average weight of the 37M22-24 is 38lbs to 63 lbs. Consult factory for additional information.

37M12-14:



37M22-24:

